



The following excerpt are pages from the [North American Product Technical Guide Volume 3: Modular Support Systems Technical Guide, Edition 1](#) .

Please refer to the publication in its entirety for complete details on this product including load values, approvals/listings, general suitability, finishes, quality, etc.

To consult directly with a team member regarding our modular support system products, contact Hilti's team of technical support specialists between the hours of 7:00am – 6:00pm CST.

US: 877-749-6337 or HNATechnicalServices@hilti.com

CA: 1-800-363-4458, ext. 6 or CATechnicalServices@hilti.com

3.0 MODULAR SUPPORT SYSTEM

3.2.2 MT BASE CONNECTORS

MT-B-GS O4U OC

Description

4-hole base plate for MT-70 and MT-80 girder to concrete.

Material Specifications

Standard ¹	Grade ¹	F _y , ksi (MPa)	F _u , ksi (MPa)
GB/T 1591	Q355 B	51.49 (355)	68.17 (470)

1. Mechanical properties of GB/T 1591 Grade Q355 B meet or exceed the mechanical properties of ASTM A1011 SS Grade 50.

Corrosion Protection

Hot-Dipped Galvanized (HDG)

MT-B-GS O4U OC

Ordering Information

Description	Weight Per Piece lbs (kg)	Quantity Piece(s)	Item No.
MT-B-GS O4U OC	10.36 (4.7)	4	2272101

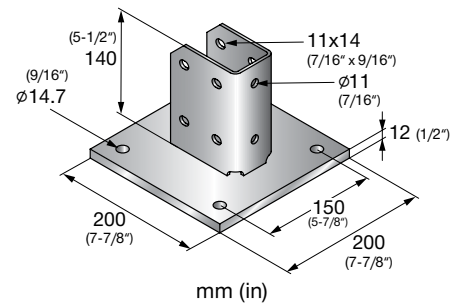
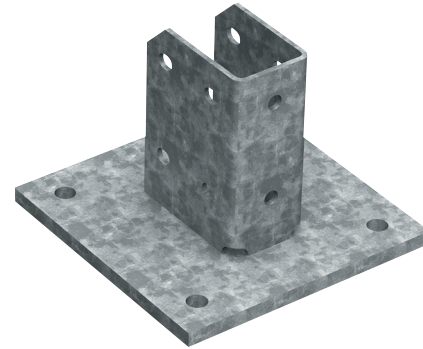
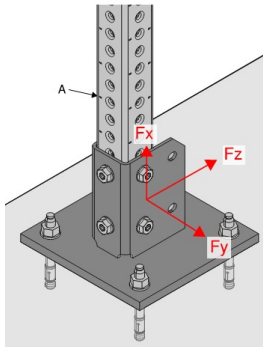


Figure 15 - MT Girder Anchoring to Concrete



A. MT-70/80

Table 87 - Allowable Strength Design (ASD) Load Data^{1,2,3,4}

F _x lb (kN)	F _y lb (kN)	F _z lb (kN)	M _y lb ft (kN m)	M _z lb ft (kN m)
12,115 (53.89)	2,610 (11.62)	3,005 (13.38)	1,010 (1.37)	830 (1.13)

1. Minimum safety factor, Ω , for tabulated values is 2.5.
2. Multiply tabulated values by 1.5 to obtain minimum Load and Resistance Factor Design (LRFD) values.
3. See Figure 15.
4. Load values are for base connector only. Design professional is responsible for checking concrete and fastener strength.

Table 88 - Limit State Design (LSD) Load Data^{1,2,3}



F _x lb (kN)	F _y lb (kN)	F _z lb (kN)	M _y lb ft (kN m)	M _z lb ft (kN m)
15,750 (70.06)	3,395 (15.11)	3,910 (17.40)	1,435 (1.95)	1,080 (1.47)

1. Maximum resistance factor, Φ , for tabulated values is 0.6.
2. See Figure 15.
3. Load values are for base connector only. Design professional is responsible for checking concrete and fastener strength.