



The following excerpt are pages from the [North American Product Technical Guide Volume 3: Modular Support Systems Technical Guide, Edition 1](#) .

Please refer to the publication in its entirety for complete details on this product including load values, approvals/listings, general suitability, finishes, quality, etc.

To consult directly with a team member regarding our modular support system products, contact Hilti's team of technical support specialists between the hours of 7:00am – 6:00pm CST.

US: 877-749-6337 or HNATechnicalServices@hilti.com

CA: 1-800-363-4458, ext. 6 or CATechnicalServices@hilti.com

3.0 MODULAR SUPPORT SYSTEM

3.2.2 MT BASE CONNECTORS

MT-B-GXL S2 OC

Description

Base plate for fixation of MT-90 and MT-100 girder structures to 5.9"-9.7" steel flange widths.

Material Specifications

Standard ¹	Grade ¹	F _y , ksi (MPa)	F _u , ksi (MPa)
GB/T 1591	Q355 B	51.49 (355)	68.17 (470)

1. Mechanical properties of GB/T 1591 Grade Q355 B meet or exceed the mechanical properties of ASTM A1011 SS Grade 50.

Corrosion Protection

Hot-Dipped Galvanized (HDG)

MT-B-GXL S2 OC

Ordering Information

Description	Weight Per Piece lbs (kg)	Quantity Piece(s)	Item No.
MT-B-GXL S2 OC	20.72 (9.4)	2	2272107

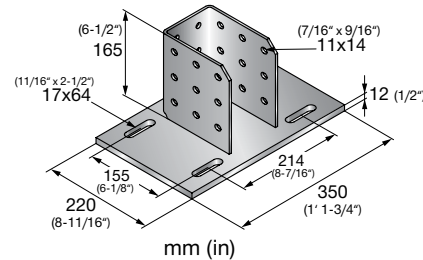
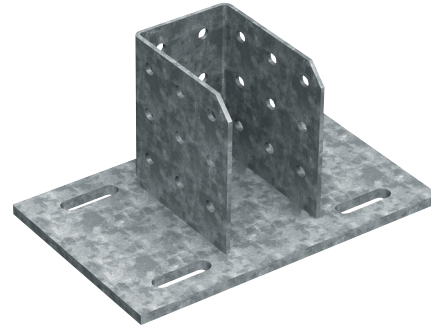
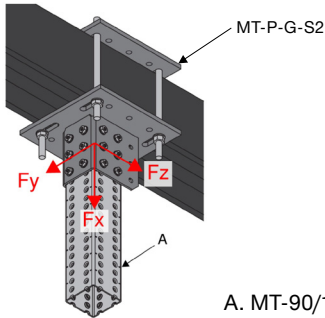


Figure 20 - MT Girder Sandwiched to Steel



A. MT-90/100

Table 97 - Allowable Strength Design (ASD) Load Data^{1,2,3,4,5}

F _x lb (kN)	F _y ⁵ lb (kN)	F _z ⁵ lb (kN)	M _y lb ft (kN m)	M _z lb ft (kN m)
13,880 (61.75)	3,345 (14.9)	3,345 (14.9)	4,270 (5.79)	4,985 (6.76)

1. Minimum safety factor, Ω , for tabulated values is 2.0.
2. Multiply tabulated values by 1.5 to obtain minimum Load and Resistance Factor Design (LRFD) values.
3. Tabulated values require that minimum grade 8.8 threaded rods must be used.
4. Tabulated values are for assembly shown in Figure 20. Design Professional is responsible for checking strength of supporting steel member.
5. Tabulated values are based on friction that is provided mechanically and not due to gravity loads.

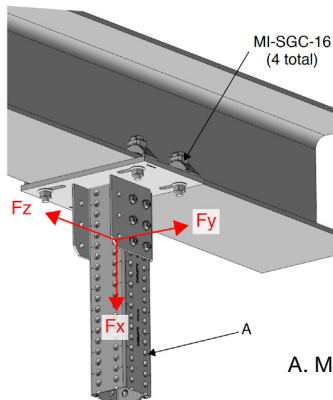
Table 98 - Limit State Design (LSD) Load Data^{1,2,3,4}



F _x lb (kN)	F _y ⁴ lb (kN)	F _z ⁴ lb (kN)	M _y lb ft (kN m)	M _z lb ft (kN m)
20,810 (92.58)	5,035 (22.4)	5,035 (22.4)	6,290 (8.53)	7,470 (10.14)

1. Maximum resistance factor, Φ , for tabulated values is 0.75.
2. Tabulated values require that minimum grade 8.8 threaded rods must be used.
3. Tabulated values are for assembly shown in Figure 20. Design Professional is responsible for checking strength of supporting steel member.
4. Tabulated values are based on friction that is provided mechanically and not due to gravity loads.

Figure 21 - MT Girder Clamped to Steel



A. MT-90/100

Table 99 - Allowable Strength Design (ASD) Load Data^{1,2,3,4}

F _x lb (kN)	F _y ⁴ lb (kN)	F _z ⁴ lb (kN)	M _y lb ft (kN m)	M _z lb ft (kN m)
13,880 (61.75)	1,545 (6.88)	1,545 (6.88)	3,655 (4.96)	4,270 (5.79)

1. Minimum safety factor, Ω , for tabulated values is 2.0.
2. Multiply tabulated values by 1.5 to obtain minimum Load and Resistance Factor Design (LRFD) values.
3. Tabulated values are for assembly shown in Figure 21. Design Professional is responsible for checking strength of supporting steel member.
4. Tabulated values are based on friction that is provided mechanically and not due to gravity loads.

Table 100 - Limit State Design (LSD) Load Data^{1,2,3}



F _x lb (kN)	F _y ³ lb (kN)	F _z ³ lb (kN)	M _y lb ft (kN m)	M _z lb ft (kN m)
20,810 (92.58)	2,315 (10.3)	2,315 (10.3)	5,485 (7.44)	6,405 (8.69)

1. Maximum resistance factor, Φ , for tabulated values is 0.75.
2. Tabulated values are for assembly shown in Figure 21. Design Professional is responsible for checking strength of supporting steel member.
3. Tabulated values are based on friction that is provided mechanically and not due to gravity loads.