



The following excerpt are pages from the [North American Product Technical Guide Volume 3: Modular Support Systems Technical Guide, Edition 1](#) .

Please refer to the publication in its entirety for complete details on this product including load values, approvals/listings, general suitability, finishes, quality, etc.

To consult directly with a team member regarding our modular support system products, contact Hilti's team of technical support specialists between the hours of 7:00am – 6:00pm CST.

US: 877-749-6337 or HNATechnicalServices@hilti.com

CA: 1-800-363-4458, ext. 6 or CATechnicalServices@hilti.com

3.0 MODULAR SUPPORT SYSTEM

3.2.3 MT SYSTEM CONNECTORS

MT-C-T/2

Description

T-connector for channels.

Material Specifications

Standard ¹	Grade ¹	F _y , ksi (MPa)	F _u , ksi (MPa)
GB/T 700	Q235 B	34.08 (235)	53.66 (370)

1. Mechanical properties of GB/T 700 Grade Q235 B meet or exceed the mechanical properties of ASTM A1011 SS Grade 33.

Corrosion Protection

Electro-Galvanized (EG)

MT-C-T/2

Hot-Dipped Galvanized (HDG)

MT-C-T/2 OC

Ordering Information

Description	Weight Per Piece lbs (kg)	Quantity Piece(s)	Item No.
MT-C-T/2	1.74 (0.79)	15	2272054
MT-C-T/2 OC	1.74 (0.79)	15	2272055

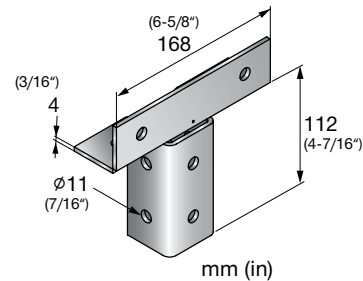
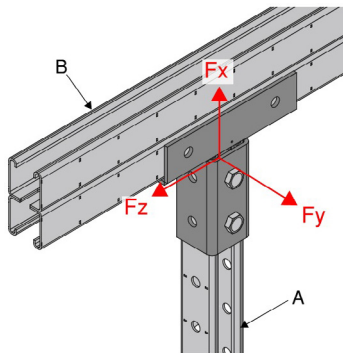


Figure 34 - MT Channel Connection



A. MT-30/50/60
B. MT-40D

Table 125 - Allowable Strength Design (ASD) Load Data^{1,2,3}

F _x lb (kN)	F _y lb (kN)	F _z lb (kN)
2,100 (9.36)	725 (3.23)	225 (1.01)

1. Minimum safety factor, Ω , for tabulated values is 2.5.
2. Multiply tabulated values by 1.5 to obtain minimum Load and Resistance Factor Design (LRFD) values.
3. See Figure 34.

Table 126 - Limit State Design (LSD) Load Data^{1,2}



F _x lb (kN)	F _y lb (kN)	F _z lb (kN)
2,735 (12.17)	1,005 (4.49)	310 (1.40)

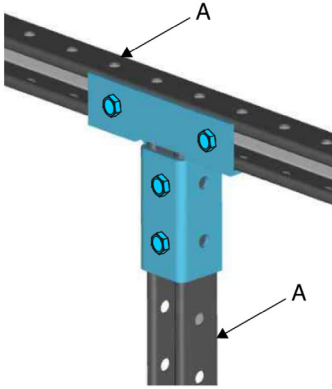
1. Maximum resistance factor, Φ , for tabulated values is 0.55.
2. See Figure 34.

3.0 MODULAR SUPPORT SYSTEM

3.2.3 MT SYSTEM CONNECTORS

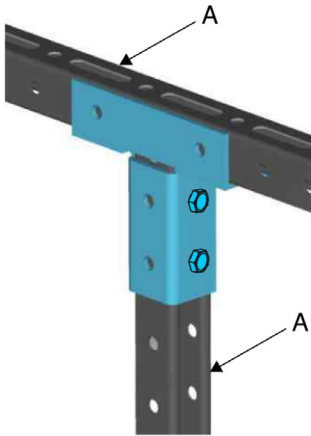
Additional Variants

Supported Channel Rotated



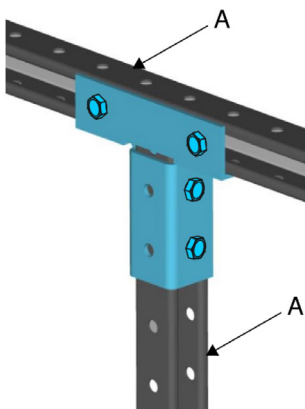
A. MT-30/50/60

Supporting Channel Rotated



A. MT-30/50/60

Supported and Supporting Channels Rotated



A. MT-30/50/60

*Technical data for additional variants shown are available upon request.