



The following excerpt are pages from the [North American Product Technical Guide Volume 3: Modular Support Systems Technical Guide, Edition 1](#) .

Please refer to the publication in its entirety for complete details on this product including load values, approvals/listings, general suitability, finishes, quality, etc.

To consult directly with a team member regarding our modular support system products, contact Hilti's team of technical support specialists between the hours of 7:00am – 6:00pm CST.

US: 877-749-6337 or HNATechnicalServices@hilti.com

CA: 1-800-363-4458, ext. 6 or CATechnicalServices@hilti.com

3.0 MODULAR SUPPORT SYSTEM

3.2.1 MT CONNECTION MECHANISMS

MT-TFB OC

Description

Thread forming bolt for MT-70, MT-80, MT-90, and MT-100 connection. Thread forming bolt is fastened using the TX-50 or an 11/16" diameter socket.

Approvals / Listings

City of Los Angeles	City of Los Angeles 2020 LABC LARR 26181
---------------------	---

European Technical Assessment	ETA-21/1017
-------------------------------	-------------

Material Specifications

F_y , ksi (MPa)	F_u , ksi (MPa)
136.34 (940)	150.84 (1,040)

Corrosion Protection

Hot-Dipped Galvanized (HDG)

MT-TFB OC

Ordering Information

Description	Weight Per Piece lbs (kg)	Quantity Piece(s)	Item No.
MT-TFB OC	0.07 (0.03)	250	2272084

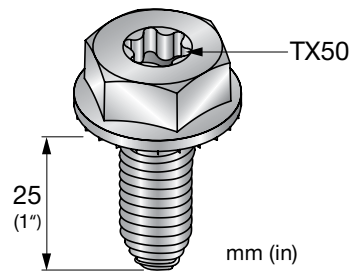


Figure 1 - MT Connection

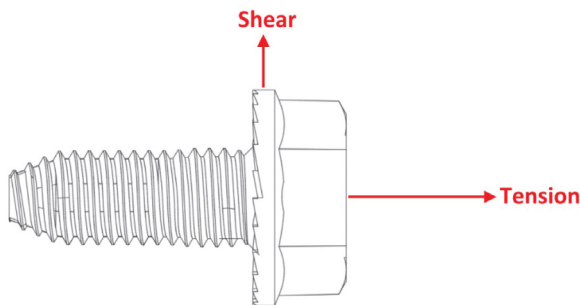


Table 59 - Allowable Strength Design (ASD) Load Data^{1,2,3}

Tension lb (kN)	Shear lb (kN)
1,650 (7.33)	2,550 (11.33)

1. Minimum safety factor, Ω , for tabulated values is 2.3.
2. Multiply tabulated values by 1.5 to obtain minimum Load and Resistance factor Design (LRFD) values.
3. See Figure 1.

Table 60 - Limit State Design (LSD) Load Data^{1,2}



Tension lb (kN)	Shear lb (kN)
2,140 (9.53)	3,310 (14.73)

1. Maximum resistance factor, Φ , for tabulated values is 0.6.
2. See Figure 1.