



APPLICATION:

Metal Pipes with Locally Sustained Insulation

ID:

**IS:
SP-FW/RW-M-04**

INFORMATION:

- Not to scale
- All units are in millimetres
- Tested according EN 1366-3
- [Approval ETA-10/0406](#)

CFS-IS Intumescent Sealant

REV:

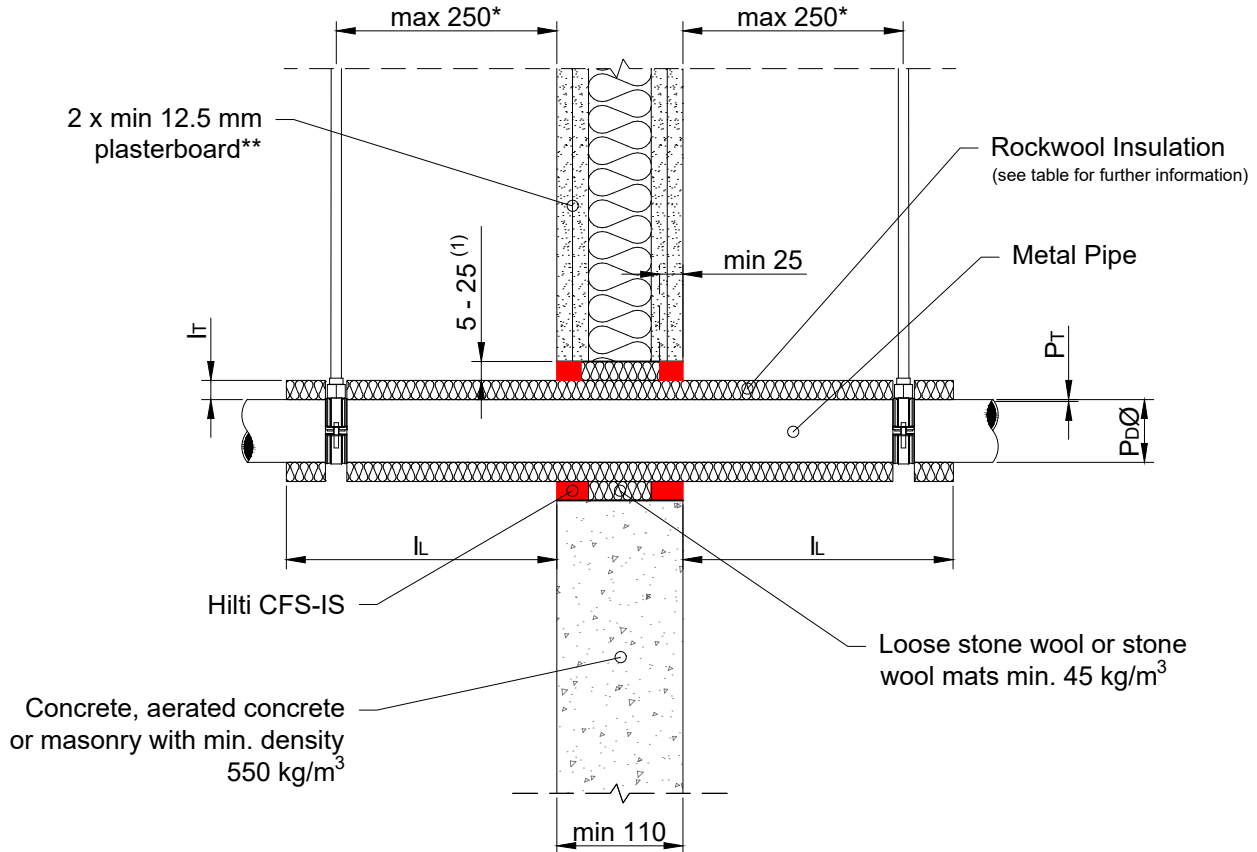
DATE:

01

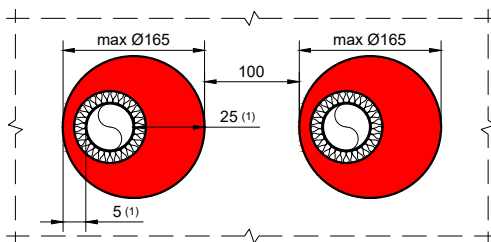
10/2024

Fire Rating up to EI 120

Page 1/2



- (1) min. 5mm annulus provided
min. 25mm on the opposite side



Pipe		Insulation		Classification
$P_D \text{Ø}$	P_T	L_T	L_L	
Copper/Steel Pipes (LS) with Rockwool RS 800				
≥10-42	1.0 / 1.2-14.2	20	≥ 700	EI 120 C/U
≥42-89	1.0 / 1.2-14.2	40	≥ 925	EI 120 C/U

Max opening size 150mm x 150mm or circular openings of equivalent area (Ø 165mm).

Min. 100mm distance to other firestopping penetrations and timber studs. Min. 200mm to other penetrations (e.g., doors, windows etc.)

* First support and ancillary products should be capable of achieving the same fire performance as the seal and supporting structure.

** Comprising of timber or steel studs. Wall construction itself has been classified according to EN 13501-2.

1. The application limits on this detail are for guidance purposes only. For more detailed information based on the full range of available test results please contact the Hilti Technical Advisory Service.
2. The product and application has been assessed as a minimum to the BS 476 standard. It may have additional European and worldwide testing. Please contact Hilti for further information.
3. All installations should be carried out in accordance with Hilti's installation instructions and by competent & experienced installers using Hilti branded products.
4. All services are to be correctly and adequately supported to prevent collapse and distortion.