

HILTI

Hilti Cable
Transit System



More safety on board.

Hilti. Outperform. Outlast.





For a safe passage.

The versatile Hilti Cable Transit System.
Fire-resistant, watertight and gastight.

You can depend on us.

Hilti has been a leading manufacturer and supplier of high-quality, easy-to-use fire-stop systems for over 20 years. We support you at the preparatory and execution stages of your firestop projects by offering quick planning assistance, comprehensive technical literature and application-specific training.

With Hilti you can depend on high-grade products and services that secure your competitive edge by offering many decisive advantages and thus tremendous added value.

- Fire resistant
- Gastight and watertight thanks to 7 sealing lips
- Low inventory requirements – only 7 different modules are needed to cover all cable diameters from 3 to 99 mm
- Versatile adapter modules for quick, easy accommodation of each cable diameter
- Big savings thanks to module interlinking, especially where cables run vertically through deck penetrations.
- Easy to install using anchor plates and the CFS-T SQU module squeezer
- Wedge seals with only one bolt for quick installation



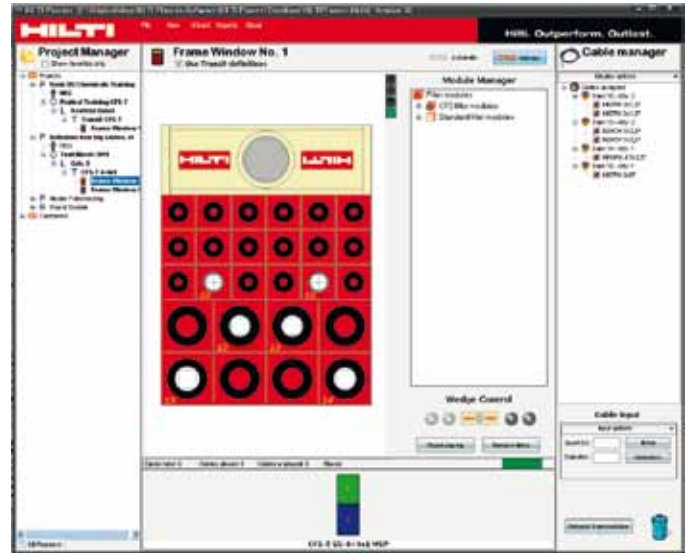
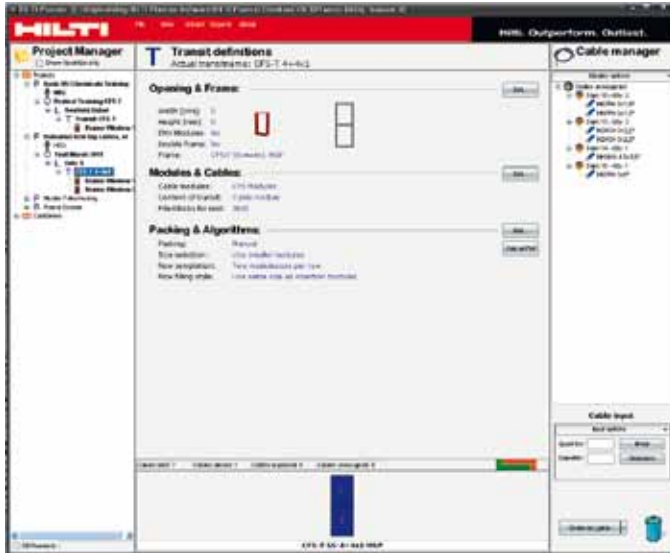
Hilti planning software	Page 6
Selecting a transit frame	Page 8
The Hilti Cable Transit System	Page 10
Clever accessories	Page 12
Welding cable transit frames	Page 14
Installing the cable transit system	Page 16
Exchanging modules	Page 18
Selecting a plug seal	Page 20
Installing the plug seal system	Page 22
Overview of the product range	Page 24



Hilti Cable Transit planning software. Puts firestop solutions at your fingertips.



The Hilti Cable Transit PC application helps you achieve high safety standards right from the very earliest stages of your project. It helps you calculate and select frames and modules of the right dimensions for your projects, prepares accurate bills of materials and lets you define each individual cable according to the needs of the installation. This easy-to-use program helps you save time and costs right from the word go.



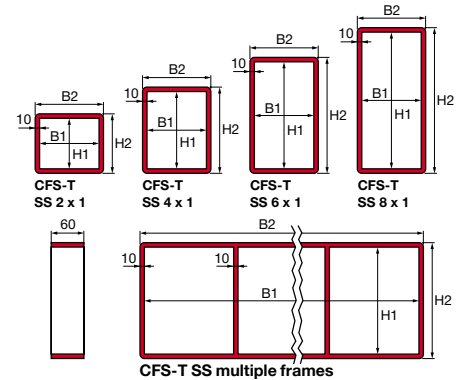
- Designing and calculating the frames and modules required according to the size of the opening and applicable materials (CFS-T-SS, CFS-T-RR).
- Precise planning of all cable transits according to the number, size and type of cables.
- Preparation of parts lists and drawings to be used as a basis for ordering the items required for a project.
- Presentation of the frame packing and cable layout plans for each cable transit, plus documentation containing all project-relevant information.
- The Project Manager incorporated in the Hilti planning software takes the user step-by-step through the project, designing each cable transit on the basis of the specific cable configuration.

Safety on all sides.

CFS-T SS transit frames



Hilti CFS-T SS transit frames have been optimized for use in steel structures in shipbuilding and offshore installations. Only four basic sizes, easily combinable to suit requirements, are all it takes to cover penetrations of all common sizes.



Approvals

Approvals issued by international certification organizations for use of the product in SOLAS A60 decks and bulkheads in accordance with IMO 754(18) are available on request.

Material quality

- Standard, steel St.37, rust preventive primer coated
- Stainless steel, material grade 1.4571/ A4 (DIN 17456 or AISI 316Ti).
- Aluminium, material grade Al.Mg.Si.05

Dimensions of CFS-T SS transit frames

CFS-T SS	2 x 1	2 x 2	2 x 3	2 x 4	2 x 5
H1 x B1 (in mm)	101 x 120	101 x 250	101 x 380	101 x 510	101 x 640
H2 x B2 (in mm)	121 x 140	121 x 270	121 x 400	121 x 530	121 x 660
	4 x 1	4 x 2	4 x 3	4 x 4	4 x 5
H1 x B1 (in mm)	160 x 120	160 x 250	160 x 380	160 x 510	160 x 640
H2 x B2 (in mm)	180 x 140	180 x 270	180 x 400	180 x 530	180 x 660
	6 x 1	6 x 2	6 x 3	6 x 4	6 x 5
H1 x B1 (in mm)	218 x 120	218 x 250	218 x 380	218 x 510	218 x 640
H2 x B2 (in mm)	238 x 140	238 x 270	238 x 400	238 x 530	238 x 660
	8 x 1	8 x 2	8 x 3	8 x 4	8 x 5
H1 x B1 (in mm)	277 x 120	277 x 250	277 x 380	277 x 510	277 x 640
H2 x B2 (in mm)	297 x 140	297 x 270	297 x 400	297 x 530	297 x 660

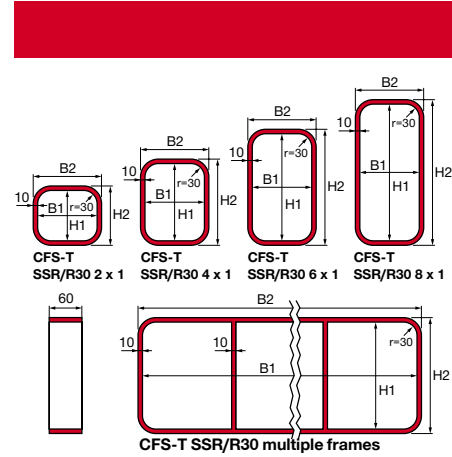
Tolerances: CFS-T SS frames are manufactured with a tolerance of $-0.0/+0.4$ mm for each frame window. Accordingly, with multiple frame combinations, total tolerance may be up to 4 mm (dimensions B1/B2).

For extreme demands.

CFS-T SSR/R30 transit frames



Hilti CFS-T SSR/R30 transit frames are the high-strength alternative for steel structures in shipbuilding and offshore applications where the frame is subjected to extra-high loads.



Approvals

Approvals issued by international certification organizations for use of the product in SOLAS A60 decks and bulk-heads in accordance with IMO 754(18) are available on request.

Material quality

- Standard, steel St.37, rust preventive primer coated

Dimensions of CFS-T SSR/R30 transit frames

CFS-T SSR/R30	4 x 1	4 x 2	4 x 3	4 x 4	4 x 5
H1 x B1 (in mm)	160 x 120	160 x 250	160 x 380	160 x 510	160 x 640
H2 x B2 (in mm)	180 x 140	180 x 270	180 x 400	180 x 530	180 x 660
	6 x 1	6 x 2	6 x 3	6 x 4	6 x 5
H1 x B1 (in mm)	218 x 120	218 x 250	218 x 380	218 x 510	218 x 640
H2 x B2 (in mm)	238 x 140	238 x 270	238 x 400	238 x 530	238 x 660
	8 x 1	8 x 2	8 x 3	8 x 4	8 x 5
H1 x B1 (in mm)	277 x 120	277 x 250	277 x 380	277 x 510	277 x 640
H2 x B2 (in mm)	297 x 140	297 x 270	297 x 400	297 x 530	297 x 660

Quick, easy and versatile. The Hilti Cable Transit System.



One system - a host of advantages

Designed as a modular system, the Hilti Cable Transit System solves three problems simultaneously. These versatile sets consisting of the fire-resistant, gas- and water-tight basic module, module adapter and core module not only seal around cables quickly and reliably, they're also re-usable. That saves time, cuts costs and helps keep your inventory to a minimum.

Basic module

The basic module for sealing around cables to a tolerance of 2-3 mm (without use of an adapter). The modules are supplied in a joined-together state but can be easily separated for individual use. Available in 7 different module sizes (15, 20, 30, 40, 60, 90 and 120mm).

Adapter module

Adapter modules in black or gray for sealing around cables to a tolerance of 3-5 mm.

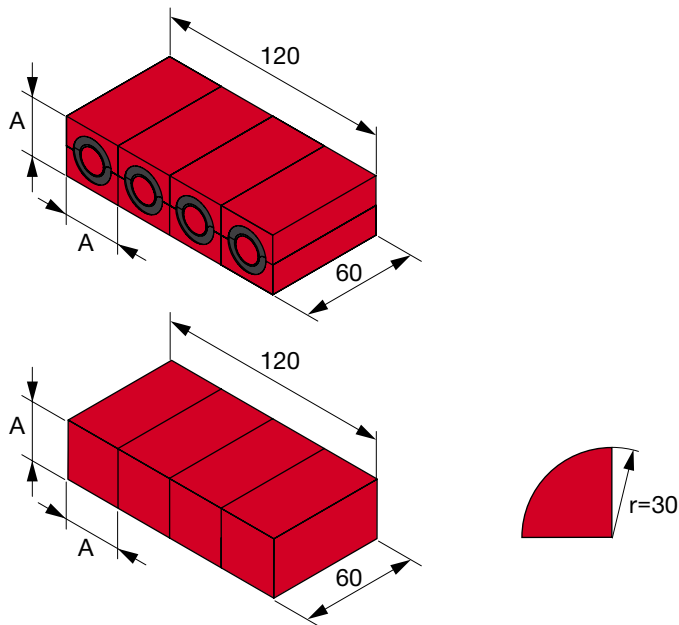
Core module

The core module is used as a filler where space is reserved for future cable installations.

Filler modules

Space reserved for future cable installations can be filled with the filler modules in the sizes 5, 10, 15, 20 and 30mm. The filler modules are supplied in a joined-together state (filler module blocks) but can be easily separated for individual use.

Dimensions of the basic modules.



Module	Dimension A in mm	Dimension B in mm	Cable diameter range
CFS-T 15/0+3-9 cable module	15	60	0; 3 – 9
CFS-T 20/0+5-12 cable module	20	60	0; 5 – 12
CFS-T 30/0+13-23 cable module	30	60	0; 13 – 23
CFS-T 40/0+23-33 cable module	40	60	0; 23 – 33
CFS-T 60/0+34-51 cable module	60	60	0; 34 – 51
CFS-T 90/0+52-78 cable module	90	60	0; 52 – 78
CFS-T 120/0+79-99 cable module	120	60	0; 79 – 99
CFS-T FB 24x5/0 filler module	5	60	0
CFS-T FB 12x10/0 filler module	10	60	0
CFS-T FB 15/0 filler module	15	60	0
CFS-T FB 20/0 filler module	20	60	0
CFS-T FB 30/0 filler module	30	60	0
CFS-T FB 30/0R30 filler module (round, for frame type CFS-T SSR/R30)	r = 30	60	0

Clever accessories.



Wedge compression kit

The CFS-T WD 120 wedge compression kit is used to allow quick and easy compression of modules and filler blocks for an effective seal. The sealing wedge can be placed anywhere within the frame and there is only one central bolt to be tightened. Available with bolt and counter-plate made from galvanized steel or A4 stainless steel material 1.4571 (AISI 316Ti).

The CFS-T WD 120 wedge compression kit is supplied complete with 4 anchor plates, one fixing anchor plate and lubricant (30 g).



Anchor plate

The anchor plate facilitates assembly of the cable modules and filler modules, secures these within the frame and increases tightness of the seal against static and dynamic pressure. The anchor plate is available in galvanized steel, stainless steel material 1.4301 (AISI 304) or in aluminium.

Use one anchor plate between each row of modules and also to secure the CFS-T WD 120 wedge.



Fixing anchor plate

The fixing anchor plate is used in conjunction with the module squeezer. After pre-compression of the modules, the fixing anchor plate can be secured by tightening the screws against the frame. It thus holds the rows of modules in their precompressed position. This facilitates insertion of the last module and the wedge seal. Use of the fixing anchor plate is recommended in situations where a large number of cables pass through the transit frame.



Module squeezer

The module squeezer uses the screw jack principle to achieve easy pre-compression of the modules before insertion of the row, or last two rows, and thus facilitates further assembly of the cable modules and insertion of the wedge seal.



Wedge puller

The wedge puller is used as a disassembly tool to aid removal of the CFS-T WD 120 wedge seal without damage to allow subsequent retrofitting of additional cables.

HILTI

**Hilti Cable Transit
System for easy
installation**

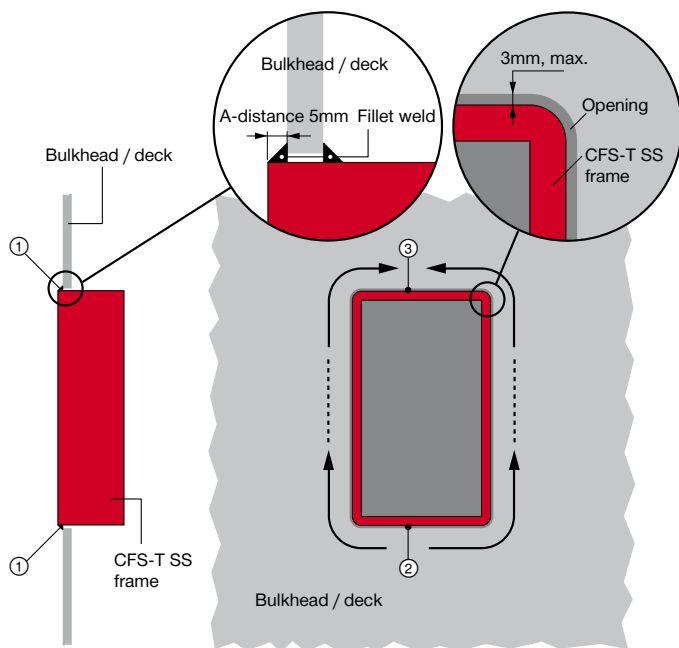


Welding procedure for Hilti CFS-T SS transit frames.

Instructions for welding Hilti CFS-T frames into class A60 bulkheads or decks

The welding procedure depends on various parameters (size of frame, thickness, size and reinforcement of steel wall / bulkhead / deck). These instructions thus serve only as a guide. There are, however, some important points that must be observed in order to avoid problems regarding frame size tolerances and possible warping of the steel sheet. Either the flux-cored arc or shielded metal arc welding method should be used.

Welding method: flux-cored arc welding (FCAW)



Welding sequence

1. Secure the frame in position with spot / step welds
2. Start welding at this point
3. Finish welding at this point

Size tolerances of the opening

The size of the opening should not exceed the size of the frame by more than 6 mm.

The weld

Dimension "A" should be no less than 5 mm.

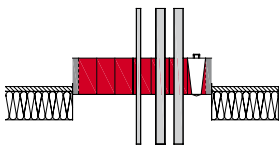
General points

Parts to be welded may be primer coated (weldable primer) but must be free from grease, oil, water and oxides etc. When welding multiple frames of over 500 mm in size, the vertical seams should always be welded first, beginning at the bottom. In situations where the ambient temperature is below 10° C, it is recommended that the area up to a width of 100 mm around the frame is preheated before beginning welding.

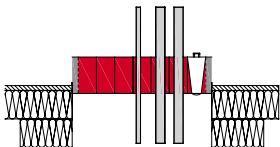
Installation examples for Hilti CFS-T SS transit frames.

Hilti holds a large number of approvals issued by international certification organizations for use of this product in marine or off-shore applications in accordance with IMO 7541(18) class A, gastight and watertight. The installation examples given below are shown in the form of block diagrams and may be adapted to meet the requirements of the individual approval certificates or test reports.

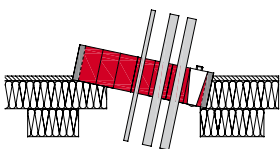
Installation in decks



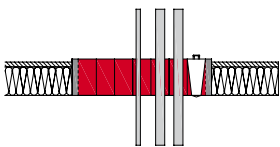
Frame surface mounted, with deck insulation



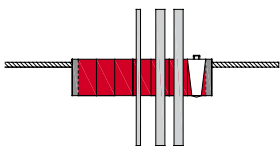
Frame surface mounted, with insulation collar



Frame mounted at an angle, with insulation collar



Frame flush mounted, with deck insulation



Frame flush mounted, without deck insulation

Installation in bulkheads



Frame flush mounted, with bulkhead insulation

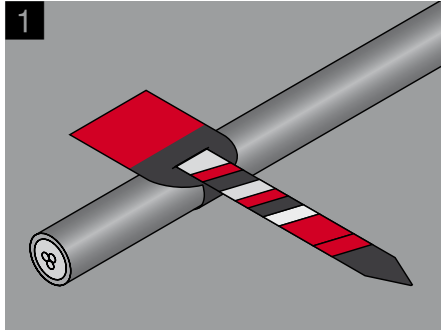


Frame flush mounted, with insulation collar

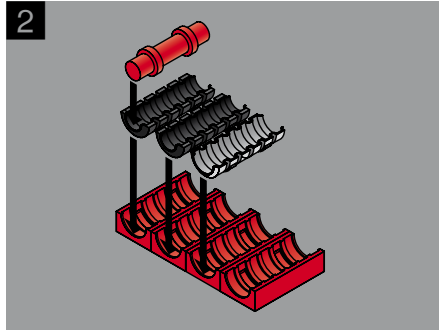


Frame flush mounted, with insulation collar

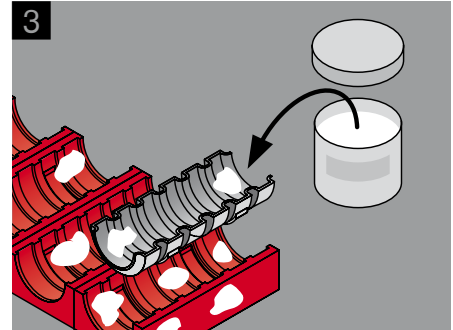
Installing the system - this is how it's done in a few easy steps.



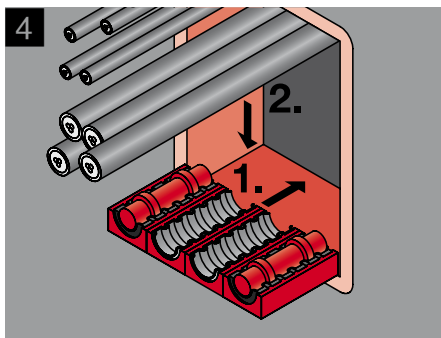
1 Wrap the Hilti size gauge around the cable in order to determine the module and adapter size required.



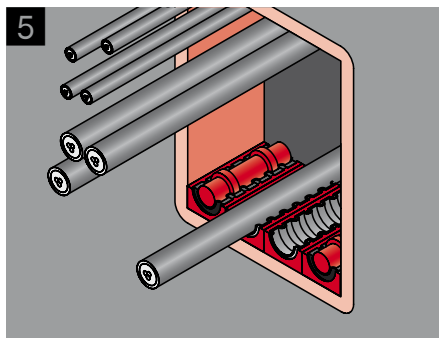
2 If necessary, remove the black adapter and replace it with one of the correct size or, depending on the size required, use the basic module without the adapter.



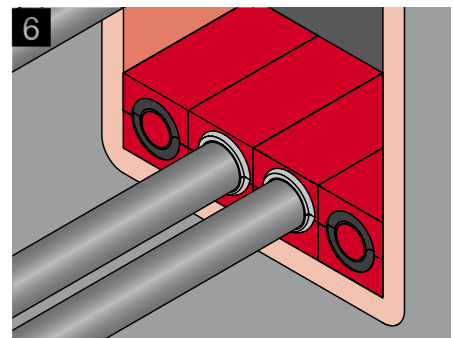
3 Carefully apply Hilti CFS-T LUB lubricant to all system parts.



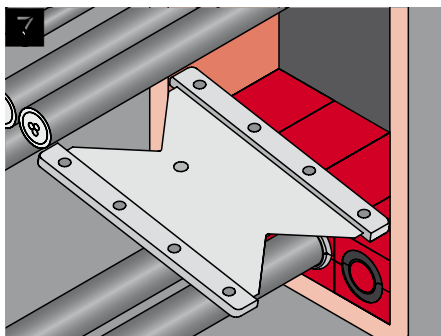
4 Place the open module in the frame beneath the cables.



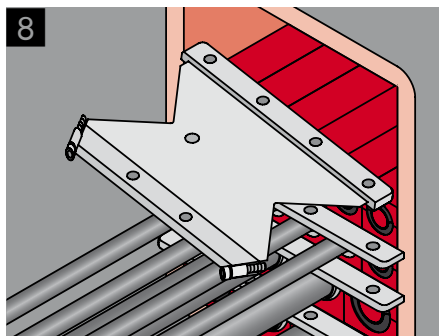
5 Position the cables in the module.



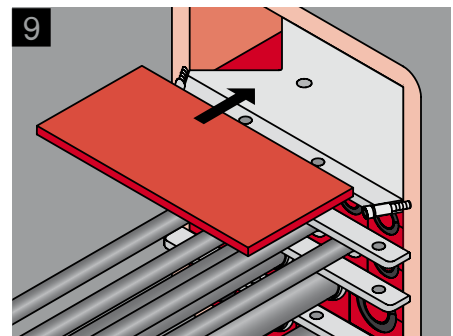
6 Close the module by fitting the appropriate top half.



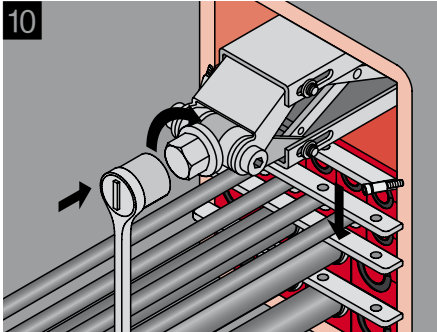
7 Place the anchor plate on top of the module row and then continue with the next row as described above, using modules of the appropriate sizes.



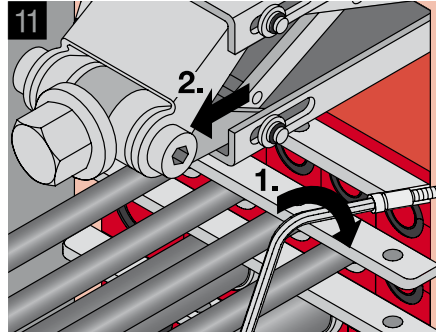
8 Place the fixing anchor plate on top of the second-last module row.



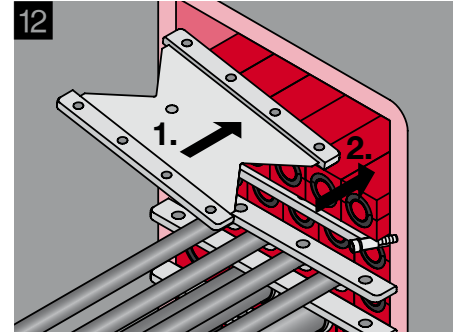
9 Place the pressure plate on top of the last anchor plate in the frame.



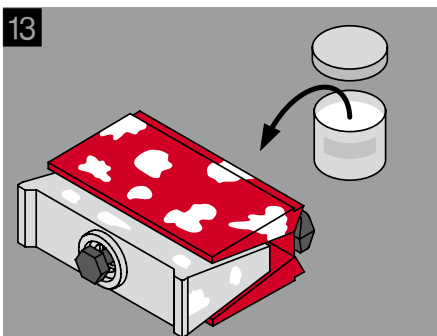
Position the module squeezer centrally in the space above the last module and apply pressure by turning the spindle with a suitable wrench.



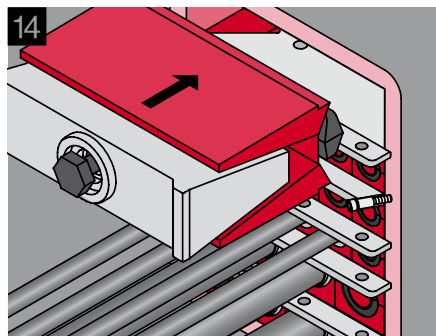
Tighten the screws on the fixing anchor plate. Remove the module squeezer. The modules remain compressed, making it easier to insert the wedge seal.



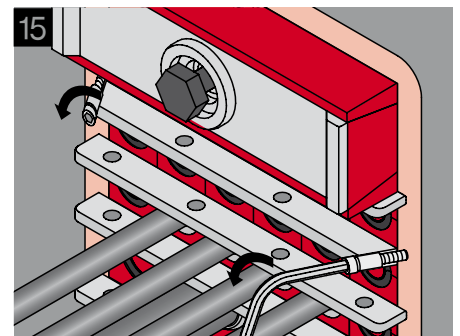
The last anchor plate and module row can then be inserted.



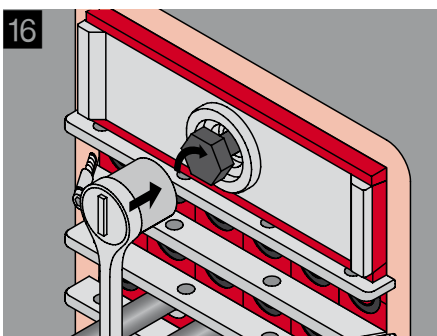
Apply lubricant to all surfaces of the CFS-T WD 120 wedge seal.



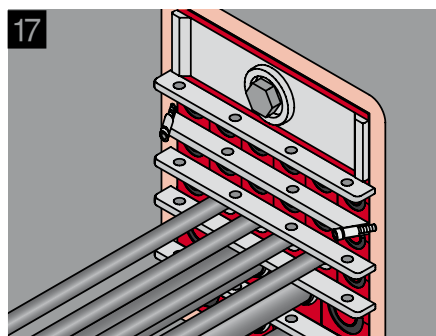
Push the wedge seal into the remaining space in the frame.



Release the screws on the fixing anchor plate before tightening the bolt in the wedge seal.



Secure the whole assembly by tightening the bolt in the wedge seal with a suitable wrench.

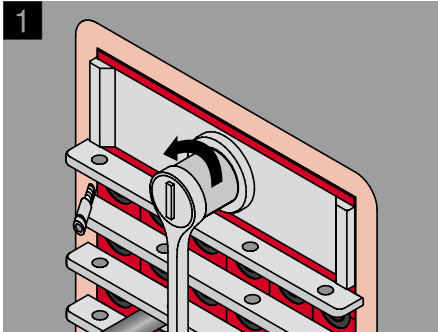


Make sure that all modules have been correctly installed in accordance with the points in the checklist.

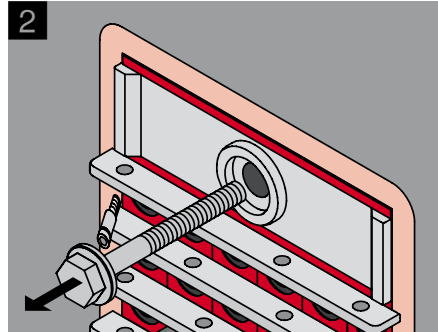
Installation checklist

- Is the wedge seal completely, or almost completely, within the frame?
- Are all modules securely seated behind the raised edge of the anchor plate where they cannot fall out?
- Has the right number of modules been installed? Check the original installation plan.
- Have modules of the correct size been installed? Check the original installation plan.
- Have module adapters and core modules of the correct color been installed (gray, red, black or none)?
- Were the modules well lubricated?

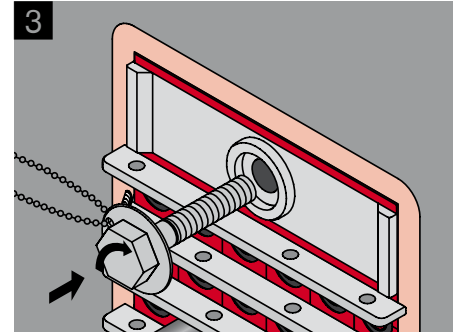
Exchanging the modules quickly and easily.



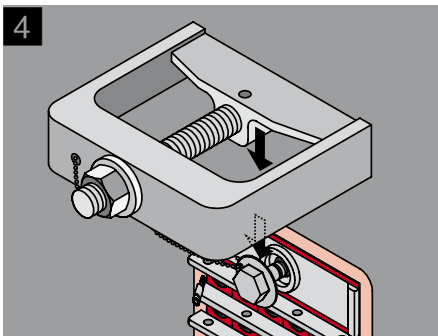
1 Use a wrench to unscrew the bolt in the wedge seal.



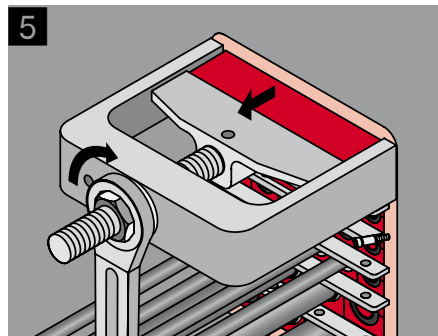
2 Remove the bolt from the wedge seal.



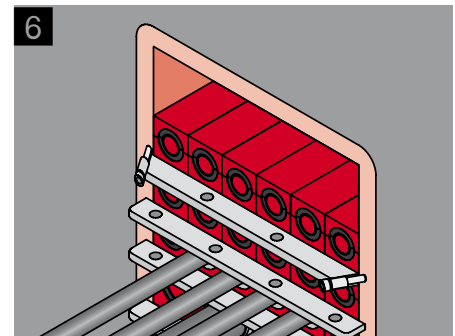
3 Insert the pulling bolt (attached to the wedge puller).



4 Bring the CFS-T WD 120 wedge puller into position so that it grips the head of the pulling bolt.

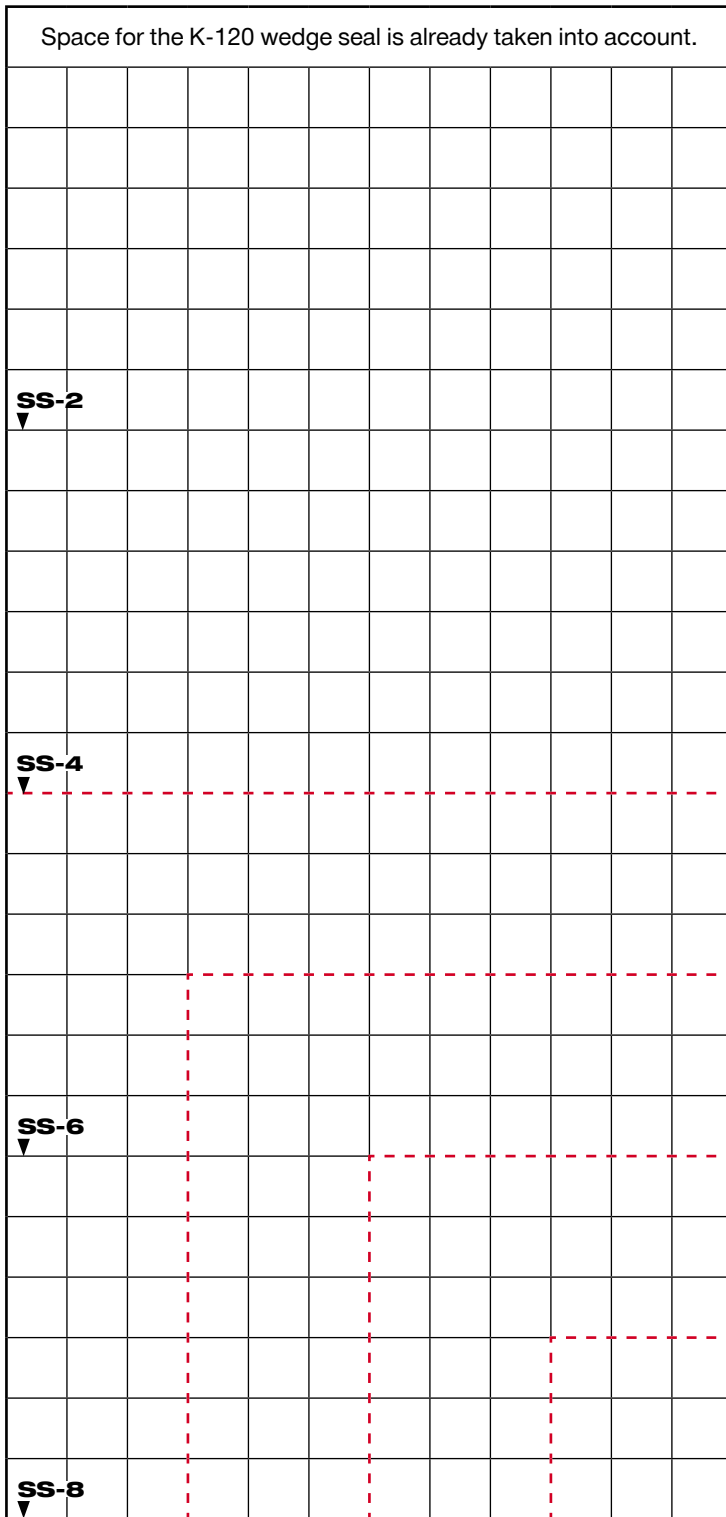


5 Pull the wedge seal out of the frame by turning the nut on the puller with an M24 ring wrench.



6 Remove the applicable modules from the frame and then follow the installation instructions when refitting the required items.

Information



Frame packing plan

The drawing shows the space available in one frame window of the types SS-2/4/6/8 and for the plug seals of the types RR-50/70/100/125/150/200 in 10 mm increments and thus serves as a planning aid for positioning the modules.

Module capacity / space requirements:

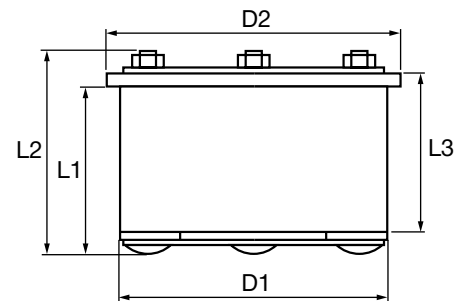
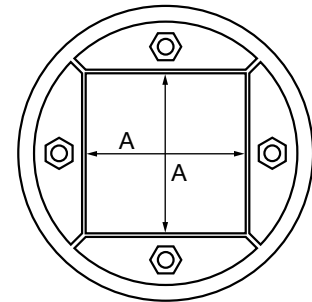
SS-2:	120x60mm
SS-4:	120x120mm
SS-6:	120x180mm
SS-8:	120x240mm

RR-50:	30x30mm
RR-70:	40x40mm
RR-100:	60x60mm
RR-125:	80x80mm
RR-150:	90x90mm
RR-200:	120x120mm

Not to scale

The solution for round cable transits.

CFS-T RR plug seal



The CFS-T RR plug seal is an important component of the Hilti cable transit system for sealing around cables in circular openings. It forms a fire-resistant, watertight and gastight seal.

Technical information

The CFS-T RR plug seal consists of an elastic, halogen-free and highly flame-resistant synthetic rubber (HFE) insert with tensioning bolts and plates made from galvanized steel or A4 stainless steel material 1.4571 (AISI316Ti).

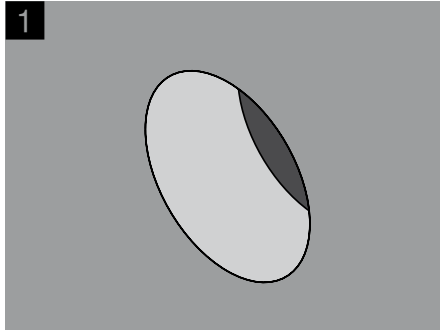
Dimensions of the CFS-T RR plug seal

Type	Space avail.		Hole dia.	Dimensions in mm				Module length	Tensioning bolts
	A	cm ²		D 1	D 2	L 1	L 2		
RR 50	30	9	50-51	50	56	33	42	30	4 pcs. M4x40
RR 70	40	16	70-72	70	76	33	43	30	4 pcs. M5x40
RR 100	60	36	100-103	100	111	71	85	60	4 pcs. M6x80
RR 125	80	64	125-128	125	135	76	95	60	8 pcs. M6x90
RR 150	90	81	150-154	150	160	76	95	60	8 pcs. M8x90
RR 200	120	144	200-205	200	210	76	95	60	8 pcs. M8x90

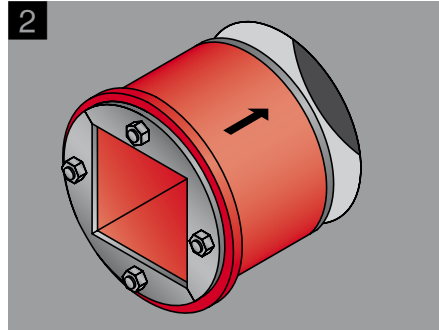


Type	Filler	Max. cable capacity
RR 50	1 pcs. 30/0 or 4 pcs. 15/0	4 cables 3-9 mm dia. or 1 cable up to 23 mm dia.
RR 70	4 pcs. 20/0	4 cables 3-12 mm dia. or 1 cable up to 33 mm dia.
RR 100	4 pcs. 30/0	9 cables 5-12 mm dia. or 1 cable 34-51 mm dia.
RR 125	16 pcs. 20/0	16 cables 5-12 mm dia. or 4 cables 13-33 mm dia. or 1 cable up to 54 mm dia.
RR 150	9 pcs. 30/0	16 cables 5-12 mm dia. or 9 cables 13-23 mm dia. or 1 cable up to 78 mm dia.
RR 200	16 pcs. 30/0	36 cables 5-12 mm dia. or 16 cables 13-23 mm dia. or 9 cables 23-33 mm dia. or 4 cables 34-51 mm dia. or 1 cable up to 99 mm dia.

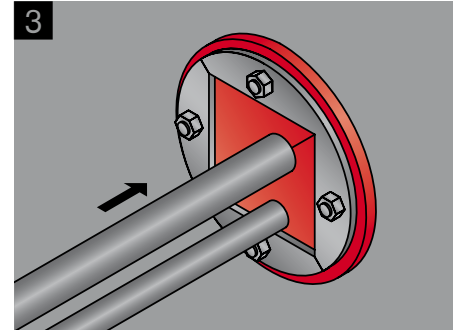
Installing the system - this is how it's done in a few easy steps.



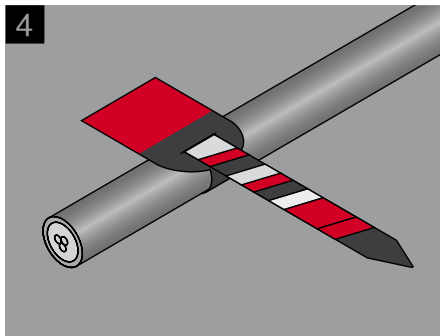
1
Check the size of the opening to ensure that the plug seal will fit snugly.



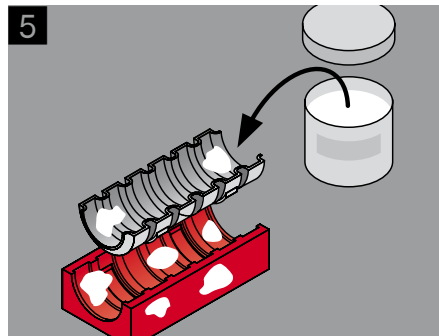
2
Push the plug seal into the opening.



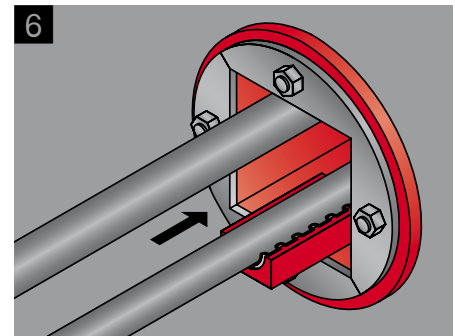
3
Install the cables in accordance with the frame packing plan.



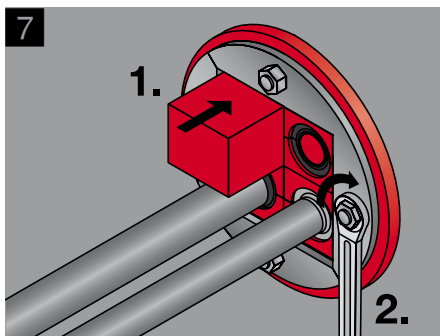
4
Use the Hilti size gauge to determine the modules required.



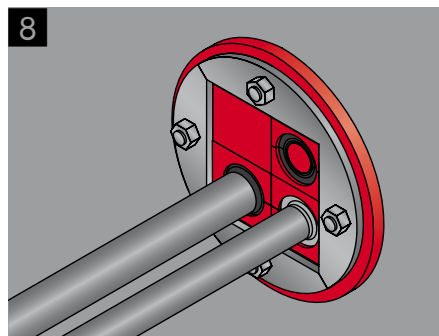
5
Lubricate all system parts carefully with Hilti lubricant.



6
Insert the modules, row by row, and lay the cable on top. Rotate the modules through 90° if necessary.

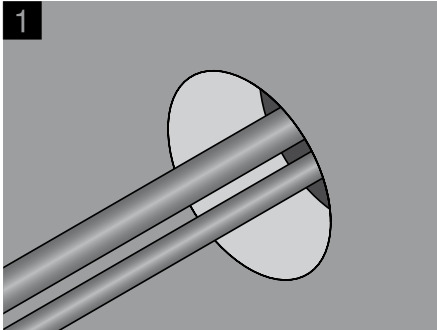


7
After inserting the last module (can be a blank module), use a ring wrench to tighten the bolts on the frame.

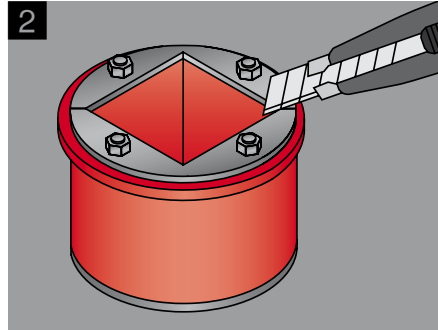


8
Check that the modules are seated and installed correctly.

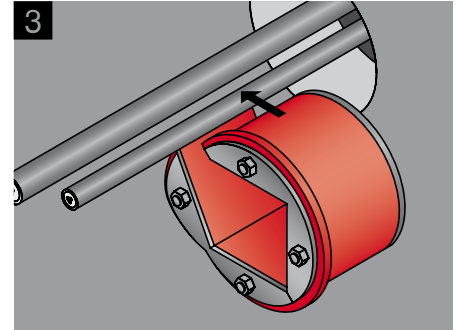
Installing the system where cables are already in place.



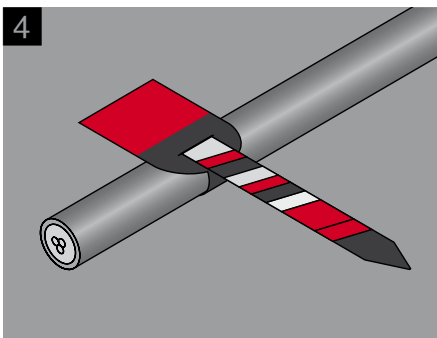
1 Check the size of the opening to ensure that the plug seal will fit snugly.



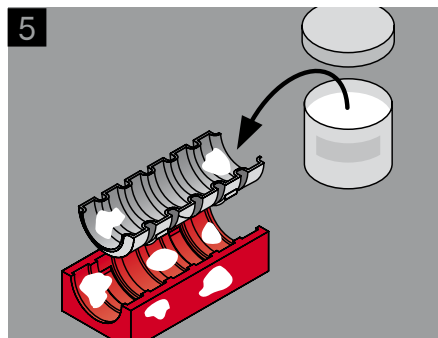
2 In situations where cables are already in place, use a sharp knife to cut right through the plug seal at a corner of the frame.



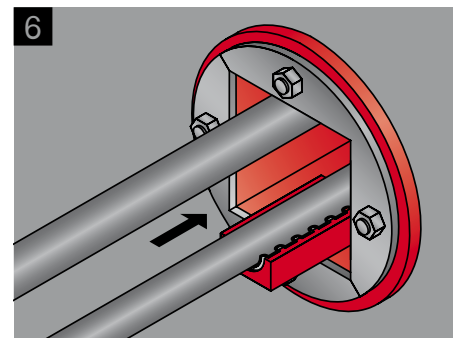
3 Slip the opened frame over the cables and then push the plug seal into the opening (tap in with a hammer if necessary).



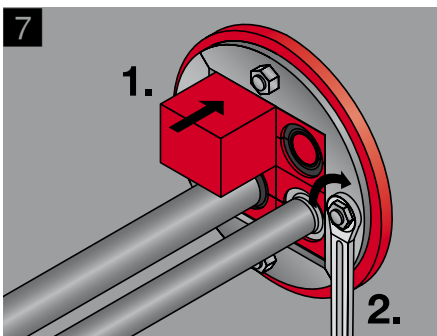
4 Use the Hilti size gauge to determine the modules required.



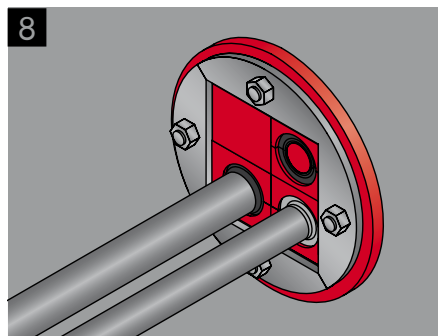
5 Lubricate all system parts carefully with Hilti lubricant.



6 Insert the modules, row by row, and lay the cable on top. Rotate the modules through 90° if necessary.



7 After inserting the last module (can be a blank module), use a ring wrench to tighten the bolts on the frame.



8 Check that the modules are seated and installed correctly.

Cable modules

Ordering designation	Package contents	Item no.
CFS-T 15/0+3-9 cable module incl. adapter and core modules	64	2014595
CFS-T 20/0+5-12 cable module incl. adapter and core modules	36	2014596
CFS-T 30/0+13-23 cable module incl. adapter and core modules	16	2014597
CFS-T 40/0+23-33 cable module incl. adapter and core modules	9	2014598
CFS-T 60/0+34-51 cable module incl. adapter and core modules	4	2014599
CFS-T 90/0+52-78 cable module incl. adapter and core modules	1	2014860
CFS-T 120/0+79-99 cable module incl. adapter and core modules	1	2014861



Filler modules

CFS-T FB 24x5/0 filler module	36	2014862
CFS-T FB 12x10/0 filler module	18	2014863
CFS-T FB 15/0 filler module	96	2014864
CFS-T FB 20/0 filler module	54	2014865
CFS-T FB 30/0 filler module	24	2014866
CFS-T FB 30/0R30 filler module	16	2014867



Wedge seals and anchor plates

CFS-T WD 120 GS wedge compression kit comprising 1 wedge seal (galvanized), 4 anchor plates (galvanized), 1 fixing anchor plate (galvanized), lubricant (30 g)	1	2014880
CFS-T WD 120 S/S wedge compression kit comprising 1 wedge seal (stainless steel material 1.4571 / V4A (AISI 316Ti)), 4 anchor plates (stainless steel material 1.4301 (AISI 304)), 1 fixing anchor plate (stainless steel material 1.4301 (AISI 304)), lubricant (30 g)	1	2014881
CFS-T WD 120 AL wedge compression kit comprising 1 wedge seal (stainless steel material 1.4571 / V4A (AISI 316Ti)), 5 anchor plates (aluminium), lubricant (30 g)	1	2014922
CFS-T AP 120 GS anchor plate set comprising 9 anchor plates (galvanized), 1 fixing anchor plate (galvanized)	1	2014882
CFS-T AP 120 S/S anchor plate set comprising 9 anchor plates (stainless steel material 1.4301 (AISI 304)), 1 fixing anchor plate (stainless steel material 1.4301 (AISI 304))	1	2014883
CFS-T AP 120 AL anchor plate set comprising 10 anchor plates (aluminium)	1	2016767
CFS-T FAP 120 S/S fixing anchor plate set comprising 10 anchor plates (stainless steel material 1.4301 (AISI 304))	1	2014923



Accessories

CFS-T SQU module squeezer	1	2014885
CFS-T PUL wedge puller	1	2014884



Plug seals



Ordering designation	Package contents	Item no.
CFS-T RR-50 GS steel, galvanized	1	2014886
CFS-T RR-50 S/S stainless steel material 1.4571 / V4A (AISI 316Ti)	1	2014887
CFS-T RR-70 GS steel, galvanized	1	2014888
CFS-T RR-70 S/S stainless steel material 1.4571 / V4A (AISI 316Ti)	1	2014889
CFS-T RR-100 GS steel, galvanized	1	2014892
CFS-T RR-100 S/S stainless steel material 1.4571 / V4A (AISI 316Ti)	1	2014893
CFS-T RR-125 GS steel, galvanized	1	2014896
CFS-T RR-125 S/S stainless steel material 1.4571 / V4A (AISI 316Ti)	1	2014897
CFS-T RR-150 GS steel, galvanized	1	2014898
CFS-T RR-150 S/S stainless steel material 1.4571 / V4A (AISI 316Ti)	1	2014899
CFS-T RR-200 GS steel, galvanized	1	2014902
CFS-T RR-200 S/S stainless steel material 1.4571 / V4A (AISI 316Ti)	1	2014903

CFS-T SS transit frames



CFS-T SS-2x1 MSP steel, rust preventive primer coated	1	2014745
CFS-T SS-2x1 S/S stainless steel material 1.4571 / V4A (AISI 316Ti)	1	2014746
CFS-T SS-2x1 AL aluminium	1	2014747
CFS-T SS-2x2 MSP steel, rust preventive primer coated	1	2014748
CFS-T SS-2x2 S/S stainless steel material 1.4571 / V4A (AISI 316Ti)	1	2014749
CFS-T SS-2x2 AL aluminium	1	2014930
CFS-T SS-2x3 MSP steel, rust preventive primer coated	1	2014931
CFS-T SS-2x3 S/S stainless steel material 1.4571 / V4A (AISI 316Ti)	1	2014932
CFS-T SS-2x3 AL aluminium	1	2014933
CFS-T SS-2x4 MSP steel, rust preventive primer coated	1	2014934
CFS-T SS-2x4 S/S stainless steel material 1.4571 / V4A (AISI 316Ti)	1	2014935
CFS-T SS-2x4 AL aluminium	1	2014936
CFS-T SS-2x5 MSP steel, rust preventive primer coated	1	2014937
CFS-T SS-2x5 S/S stainless steel material 1.4571 / V4A (AISI 316Ti)	1	2014938
CFS-T SS-2x5 AL aluminium	1	2014939
CFS-T SS-4x1 MSP steel, rust preventive primer coated	1	2014940
CFS-T SS-4x1 S/S stainless steel material 1.4571 / V4A (AISI 316Ti)	1	2014941

CFS-T SS transit frames

Ordering designation	Package contents	Item no.
CFS-T SS-4x1 AL aluminium	1	2014942
CFS-T SS-4x2 MSP steel, rust preventive primer coated	1	2014943
CFS-T SS-4x2 S/S stainless steel material 1.4571 / V4A (AISI 316Ti)	1	2014944
CFS-T SS-4x2 AL aluminium	1	2014945
CFS-T SS-4x3 MSP steel, rust preventive primer coated	1	2014946
CFS-T SS-4x3 S/S stainless steel material 1.4571 / V4A (AISI 316Ti)	1	2014947
CFS-T SS-4x3 AL aluminium	1	2014948
CFS-T SS-4x4 MSP steel, rust preventive primer coated	1	2014949
CFS-T SS-4x4 S/S stainless steel material 1.4571 / V4A (AISI 316Ti)	1	2014950
CFS-T SS-4x4 AL aluminium	1	2014951
CFS-T SS-4x5 MSP steel, rust preventive primer coated	1	2014952
CFS-T SS-4x5 S/S stainless steel material 1.4571 / V4A (AISI 316Ti)	1	2014953
CFS-T SS-4x5 AL aluminium	1	2014954
CFS-T SS-6x1 MSP steel, rust preventive primer coated	1	2014955
CFS-T SS-6x1 S/S stainless steel material 1.4571 / V4A (AISI 316Ti)	1	2014956
CFS-T SS-6x1 AL aluminium	1	2014957
CFS-T SS-6x2 MSP steel, rust preventive primer coated	1	2014958
CFS-T SS-6x2 S/S stainless steel material 1.4571 / V4A (AISI 316Ti)	1	2014959
CFS-T SS-6x2 AL aluminium	1	2014960
CFS-T SS-6x3 MSP steel, rust preventive primer coated	1	2014961
CFS-T SS-6x3 S/S stainless steel material 1.4571 / V4A (AISI 316Ti)	1	2014962
CFS-T SS-6x3 AL aluminium	1	2014963
CFS-T SS-6x4 MSP steel, rust preventive primer coated	1	2014964
CFS-T SS-6x4 S/S stainless steel material 1.4571 / V4A (AISI 316Ti)	1	2014965
CFS-T SS-6x4 AL aluminium	1	2014966
CFS-T SS-6x5 MSP steel, rust preventive primer coated	1	2014967
CFS-T SS-6x5 S/S stainless steel material 1.4571 / V4A (AISI 316Ti)	1	2014968
CFS-T SS-6x5 AL aluminium	1	2014969
CFS-T SS-8x1 MSP steel, rust preventive primer coated	1	2014970
CFS-T SS-8x1 S/S stainless steel material 1.4571 / V4A (AISI 316Ti)	1	2014971
CFS-T SS-8x1 AL aluminium	1	2014972



CFS-T SS transit frames



Ordering designation	Package contents	Item no.
CFS-T SS-8x2 MSP steel, rust preventive primer coated	1	2014973
CFS-T SS-8x2 S/S stainless steel material 1.4571 / V4A (AISI 316Ti)	1	2014974
CFS-T SS-8x2 AL aluminium	1	2014975
CFS-T SS-8x3 MSP steel, rust preventive primer coated	1	2014976
CFS-T SS-8x3 S/S stainless steel material 1.4571 / V4A (AISI 316Ti)	1	2014977
CFS-T SS-8x3 AL aluminium	1	2014978
CFS-T SS-8x4 MSP steel, rust preventive primer coated	1	2014979
CFS-T SS-8x4 S/S stainless steel material 1.4571 / V4A (AISI 316Ti)	1	2014980
CFS-T SS-8x4 AL aluminium	1	2014981
CFS-T SS-8x5 MSP steel, rust preventive primer coated	1	2014982
CFS-T SS-8x5 S/S stainless steel material 1.4571 / V4A (AISI 316Ti)	1	2014983
CFS-T SS-8x5 AL aluminium	1	2014984

CFS-T SSR/R30 transit frames



CFS-T SSR/R30-4x1 MSP steel, rust preventive primer coated	1	2014985
CFS-T SSR/R30-4x2 MSP steel, rust preventive primer coated	1	2014986
CFS-T SSR/R30-4x3 MSP steel, rust preventive primer coated	1	2014987
CFS-T SSR/R30-4x4 MSP steel, rust preventive primer coated	1	2014988
CFS-T SSR/R30-4x5 MSP steel, rust preventive primer coated	1	2014989
CFS-T SSR/R30-6x1 MSP steel, rust preventive primer coated	1	2014990
CFS-T SSR/R30-6x2 MSP steel, rust preventive primer coated	1	2014991
CFS-T SSR/R30-6x3 MSP steel, rust preventive primer coated	1	2014992
CFS-T SSR/R30-6x4 MSP steel, rust preventive primer coated	1	2014993
CFS-T SSR/R30-6x5 MSP steel, rust preventive primer coated	1	2014994
CFS-T SSR/R30-8x1 MSP steel, rust preventive primer coated	1	2014995
CFS-T SSR/R30-8x2 MSP steel, rust preventive primer coated	1	2014996
CFS-T SSR/R30-8x3 MSP steel, rust preventive primer coated	1	2014997
CFS-T SSR/R30-8x4 MSP steel, rust preventive primer coated	1	2014998
CFS-T SSR/R30-8x5 MSP steel, rust preventive primer coated	1	2014999

Hilti. Outperform. Outlast.

Hilti Corporation | 9494 Schaan | Liechtenstein | P +423-234 2111 | F +423-234 2965 | www.hilti.com