



236034

# DD-80 E/RA

**Diamond Drilling System  
Operating Instructions** 2 – 7

**Système de carottage au diamant  
Mode d'emploi** 8 – 13

**Sistema de Perforación con Diamante  
Instrucciones de Operación** 14 – 19

**Sistema de perfuração com coroa diamantada  
Manual de instruções** 20 – 24

# HILTI

# Safety precautions for grounded tools

## Read all instructions

### Warning!

The following fundamental safety precautions must always be observed when using electric tools/machines as protection against an electric shock, the risk of injury and a fire hazard. Please read and take note of these precautions before you use the tool/machine. Please read and keep these safety precautions in a safe place!

- 1. Keep Work Area Clean.** Cluttered areas and benches invite injuries.
- 2. Consider Work Area Environment.** Don't expose power tools to rain. Don't use power tools in damp or wet locations. Keep work area well lit. Do not use tool in presence of flammable liquids or gases.
- 3. Guard Against Electric Shock.** Prevent body contact with grounded surfaces. For example; pipes, radiators, ranges, refrigerator enclosures.
- 4. Keep Children Away.** Do not let visitors contact tool or extension cord. All visitors should be kept away from work area.
- 5. Store Idle Tools.** When not in use, tools should be stored in dry, and high or locked-up place – out of reach of children.
- 6. Don't Force Tool.** It will do the job better and safer at the rate for which it was intended.
- 7. Use Right Tool.** Don't force small tool or attachment to do the job of a heavy-duty tool. Don't use tool for purpose not intended – for example – don't use circular saw for cutting tree limbs or logs.
- 8. Dress Properly.** Do not wear loose clothing or jewelry. They can be caught in moving parts. Rubber gloves and non-skid footwear are recommended when working outdoors. Wear protective hair covering to contain long hair.
- 9. Use Safety Glasses.** Also use face or dust mask if cutting operation is dusty.
- 10. Don't Abuse Cord.** Never carry tool by cord or yank it to disconnect from receptacle. Keep cord from heat, oil, and sharp edges.
- 11. Secure Work.** Use clamps or a vise to hold work. It's safer than using your hand and it frees both hands to operate tool.
- 12. Don't Overreach / Maintain Control.** Keep proper footing and balance at all times.
- 13. Maintain Tools With Care.** Keep tools sharp and clean for better and safer performance. Follow instructions for lubricating and

changing accessories. Inspect tool cords periodically and if damaged, have repaired by authorized service facility. Inspect extension cords periodically and replace if damaged. Keep handles dry, clean, and free from oil and grease.

- 14. Disconnect Tools.** When not in use, before servicing and when changing accessories, such as blades, bits, cutters.
- 15. Remove Adjusting Keys and Wrenches.** Form habit of checking to see that keys and adjusting wrenches are removed from tool before turning it on.
- 16. Avoid Unintentional Starting.** Don't carry tool with finger on switch. Be sure switch is off when plugging in.
- 16A. Extension Cords.** Make sure your extension cord is in good condition. When using an extension cord, be sure to use one heavy enough to carry the current your product will draw. An undersized cord will cause a drop in line voltage resulting in loss of power and overheating. The following table shows the correct size to use depending on cord length and nameplate ampere rating. If in doubt, use the next heavier gage. The smaller the gage number, the heavier the cord.

### Extension Cord Table

Volts	Total Length of Cord in Feet			
	0-25	26-50	51-100	101-150
120 V				
240 V	0-50	51-100	101-200	201-300

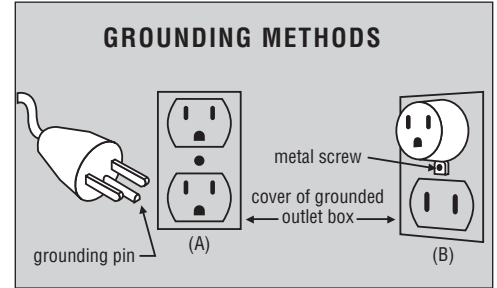
  

Ampere Rating	AWG			
	More Than	Not More Than		
0	6	18	16	16
6	10	18	16	14
10	12	16	16	14
12	16	14	12	Not recommended

- 17. Outdoor Use Extension Cords.** When tool is used outdoors, use only extension cords intended for use outdoors and so marked.
- 18. Stay Alert.** Watch what you are doing. Use common sense. Do not operate tool when you are tired.
- 19. Check Damaged Parts.** Before further use of the tool, a guard or other part that is damaged should be carefully checked to determine that it will operate properly and perform its intended function. Check for alignment of moving parts, binding of moving parts, breakage of parts, mounting, and any other conditions that may affect its operation. A guard or other part that is damaged should be properly repaired or replaced by an authorized service center unless otherwise indicated elsewhere in this instruction manual. Have defective switches replaced by authorized service center. Do not use tool if switch does not turn it on and off.
- 20. Only use accessories and attachments** which are given in the operating instructions or in the respective catalogue. The use of accessories or insert tools or attachments other than those speci-

fied in the operating instructions can result in personal injury to you.

- 21. Only have repairs carried out by recognized electrical specialists.** This electric tool/machine complies with respective safety regulations. Repairs may only be carried out by an electrical specialist otherwise an accident hazard for the operator can exist.
- 22. Wear ear protectors** when using for extended periods.
- 23. Always use any supplied side handle,** and keep it tightly secured; use both hands during operation. Firm control of the tool is necessary should the tool bind.
- 24. Hold Tool by Handle(s) Provided.** Do not touch uninsulated parts of tool when drilling. Exposed metal surfaces may be made live if the tool drills into electrical wiring.
- 25. Grounding instructions.** This tool should be grounded while in use to protect the operator from electric shock. The tool is equipped with a 3-conductor cord and 3-prong grounding type plug to fit the proper grounding type receptacle. The green (or green and yellow) conductor in the cord is the grounding wire. Never connect the green (or green and yellow) wire to a live terminal. If your unit is for use on less than 150 V, it has a plug that looks like that shown in sketch (A) in Figure «Grounding Methods». An adapter, see sketch (B), is available for connecting sketch (A) type plugs to 2-prong receptacles. The green-colored rigid ear, lug, or the like, extending from the adapter must be connected in a permanent ground, such as a properly grounded outlet box.

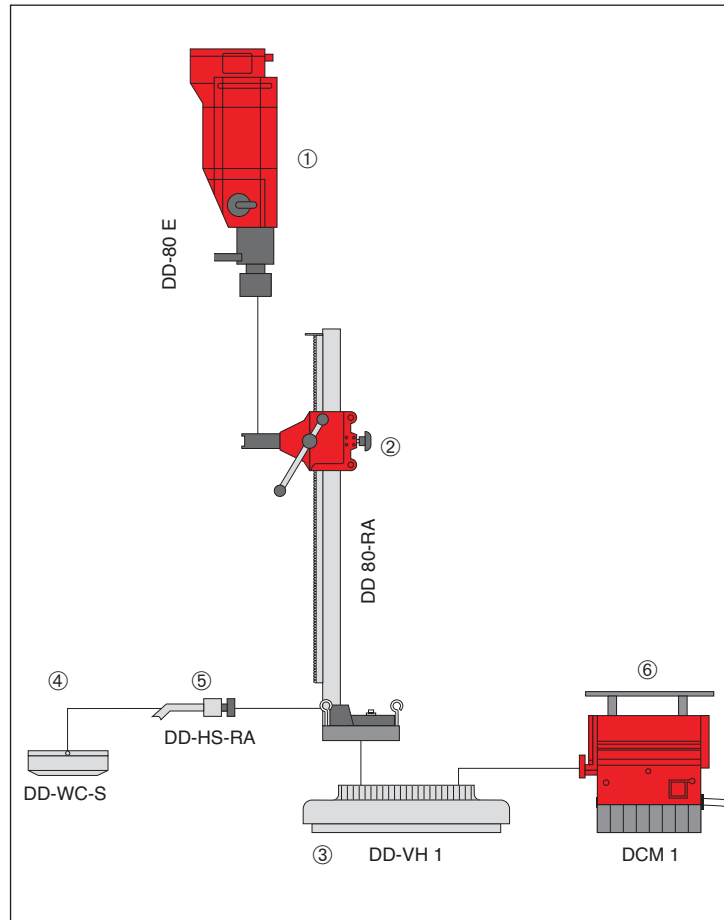


- 26. Extension Cords.** Use only 3-wire extension cords that have 3-prong grounding-type plugs and 3-pole receptacles that accept the tool's plug. Replace or repair damaged cords.
- 27. Replacement parts.** When servicing use only identical replacement parts.

Save these instructions.

Contents	Page
Safety precautions	2
1. DD-80 E/RA diamond coring system	2
2. DD-80 E/RA diamond coring machine	3
3. Additional safety precautions	3
4. Technical data	4
5. Assembling the system components	5
6. Selecting the method of fastening the coring unit for use	5
7. Preparing the coring system	7
8. Operating the system	7
9. Maintenance	7
10. Warranty	7

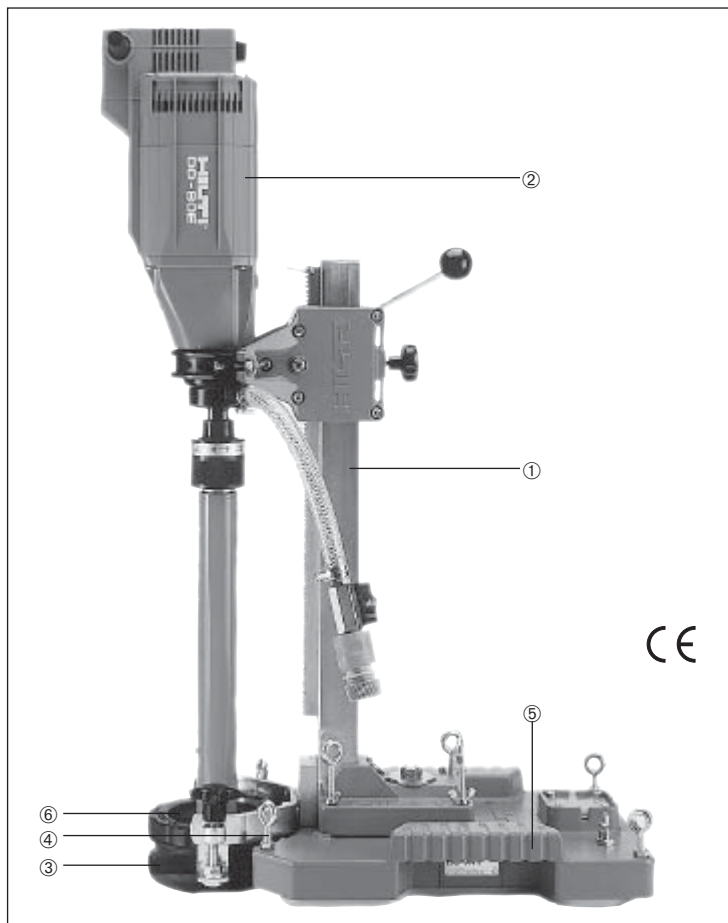
## 1. DD-80 E/RA diamond coring system



- DD-80 E motor unit
- DD 80-RA/ DD 100-RA drill stand
- DD-VH1 vacuum baseplate
- DD-WC-S water collector
- DD-HS-RA holder
- Vacuum pump



## 2. DD-80 E/RA diamond coring machine



### 1. Drill stand

- 1.1 Stop
- 1.2 Feed locking device
- 1.3 Hexagon socket wrench
- 1.4 Carriage
- 1.5 Levelling screws
- 1.6 Feed lever or handwheel

### 2. Motor unit

- 2.1 On/off switch
- 2.2 Speed change switch
- 2.3 Chuck
- 2.4 Supply cord
- 2.5 Water connection
- 2.6 Water regulation valve

### 3. Water collector

- 3.1 Sealing disc

### 4. Water collector holder

- 4.1 Pressure adjustment screws

### 5. Vacuum baseplate

## 3. Safety

### 3.1 Safety precautions on the jobsite

Before beginning work with the machine, read the operating instructions carefully and ensure that the safety precautions listed below are observed.

- Ensure that no electric cables, gas or water pipes etc. are situated where holes are to be cored.
- Cables, pipes or other supply lines situated in close proximity to where holes are to be cored must be switched off.
- The coring work must not have a negative effect on the structural design of the building (coring through steel reinforcement!).
- Cordon off areas where coring work is taking place, particularly behind walls or below floors which are being cored through.
- For overhead coring, the water collector must be in good condition and function correctly.
- The coring system may only be operated when an GFCI ground fault circuit interrupter is connected in the system.
- In order to provide safe, trouble-free operation, the coring system must be kept clean. (Do not clean using a jet of water.)
- Coring work should only be carried out by trained personnel who have received instruction on use of the equipment.
- When working with the vacuum baseplate on walls an additional means of securing the machine must be employed (see section 7.3).
- If leakage occurs in the water supply system, the equipment must be serviced.
- Do not touch rotating parts.

### 3.2a Grounding instructions

This tool should be grounded while in use to help protect the operator from electric shock. The tool is equipped with a 3-conductor cord and 3-prong grounding type plug to fit the proper grounding type receptacle. The green (or green and yellow) conductor in the cord is the grounding wire. Never connect the green (or green and yellow) wire to a live terminal. If your unit is for use on less than 150 V, it has a plug that looks like that shown in sketch (A) in Figure 1. If it is for use on 150 to 250 V, it has a plug that looks like that shown in sketch (D). An adapter, see sketches (B) and (C), is available for connecting sketch

(A) type plugs to 2-prong receptacles. The green colored rigid ear, lug, or the like, extending from the adapter must be connected to a permanent ground, such as a properly grounded outlet box. No adapter is available for a plug as shown in sketch (D).

### 3.2b Extension Cords

Use only 3-wire extension cords that have 3-prong grounding-type plugs and 3-pole receptacles that accept the tool's plug. Replace or repair damaged cords.

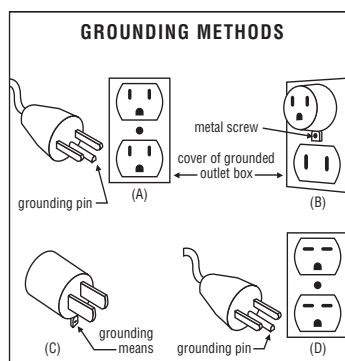


Figure 1

### 3.3 Overload protectors

Hilti diamond coring machines are equipped with mechanical, electronic, thermal and optical overload protectors.

#### Slip clutch:

This protects the motor and core bit in case the core bit suddenly jams.

#### Electronic protection:

In case of overloading caused by excessive coring feed pressure, the motor current is reduced automatically so that the core bit then only rotates slowly. On reducing feed the pressure, the current input returns to normal and

the motor continues to run at full power.

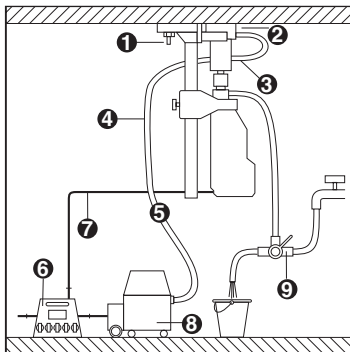
#### Protection against overheating:

The motor is protected against overheating by a sensor which automatically reduces current input in case of sustained overloading and at high ambient temperatures. The machine can be operated normally after the temperature of the motor windings has dropped to a satisfactory level. The motor windings can be cooled more quickly by allowing the machine to run without load.

#### Overload indicator:

The overload indicator lights up when the motor is being operated at maximum load. It is recommended that the machine is operated so that overload indicator is not lit up continually e.g. reduce coring pressure.

### 3.4 Instructions and precautions for overhead coring



When coring overhead, the following equipment must be used for safety reasons:

1. Drill stand, fastened to the ceiling using an HDI 1/2" anchor
2. Water collector complete with appropriate sealing disc
3. Hose strain relief clamp
4. Water removal hose
5. Adaptor for wet vacuum cleaner
6. 6 mA GFCI ground fault circuit interruptor (supplied)
7. Supply cord with earth/ground conductor

8. Wet vacuum cleaner.

A vacuum cleaner designed for removing water and wet materials must always be used for overhead coring.

9. 3-way water connection.

Close the water supply valve and drain the water from the core bit at the 3-way water connection before withdrawing the core bit from the water collector.

**Note:** The life of the sealing discs can be extended by applying a little grease e.g. bearing grease or Hilti lubricant spray.

### 4. Technical data

Voltage	100 V	115 V	230 V
Current input	15 A	15 A	8 A
Power input	1400 W	1600 W	1700 W
Frequency	50/60 Hz		
Core bit diameter range	8 – 82 mm		
No-load speeds:	Speed/core bit diameter range:		
1st speed: 1200 r.p.m.	1st speed: 37 – 82 mm		
2nd speed: 2400 r.p.m.	2nd speed: 18 – 40 mm		
3rd speed: 3900 r.p.m.	3rd speed: 8 – 24 mm		
Weight (depending on equipment)	approx. 13 kg		
Length of supply cord	4 metres		
Chuck	DD-BI quick-release chuck		
Electronic idling speed regulator			
Overload current regulator			
Optical overload indicator			
Built-in starting current regulator			
Thermal motor protector			
Mechanical slip clutch			
Protection class 1 (mains supply with earth/ground connection required)			
Radio and TV interference suppression as per EN 55014			
Reaction in mains supply as per EN 60555, part 2			
Approved as per IEC 1029			

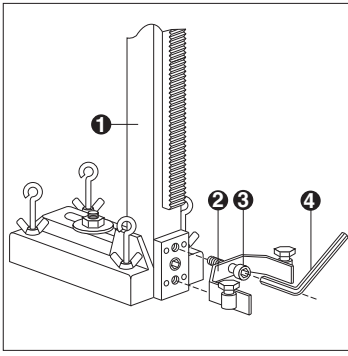
The noise produced by this equipment has been measured according to IEC 59 CO 11, IEC 704, DIN 45635, part 21, NFS 31-031 (84/537/ EWG) The noise level under certain working conditions may exceed 85 dB (A), in which case the operator must wear suitable ear protectors.

This Product is UL listed and CSA certified



## 5. Assembling the system components

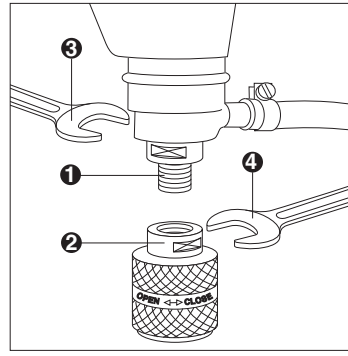
### 5.1 Attaching the water collector holder to the drill stand



1. Drill stand
2. Holder
3. Screw
4. Wrench

Upper position for use **without** vacuum baseplate  
Lower position for use **with** vacuum baseplate

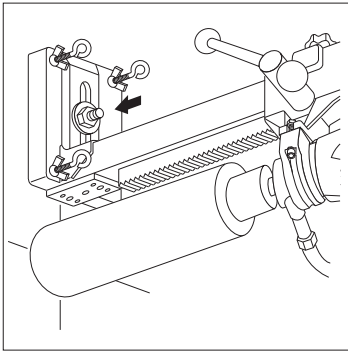
### 5.2 Changing the chuck



1. Drive shaft
2. Chuck
3. 21 mm AF open-end wrench
4. 30 mm AF open-end wrench

## 6. Selecting the method of fastening the coring unit

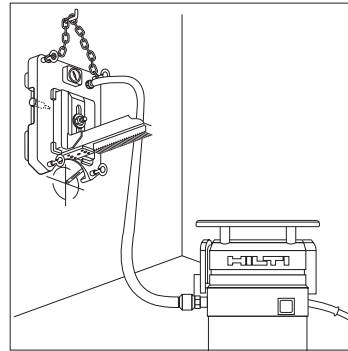
### 6.1 Anchor fastening



- Secure method of fastening for high coring performance
- Versatile method (suitable for wall, ceiling and floor)
- Can also be used on uneven and rough surfaces

**Caution:** The coring system must not be operated before fastening the baseplate!

### 6.2 Fastening the unit using the vacuum baseplate



- Quick fastening method
- No need to drill anchor holes

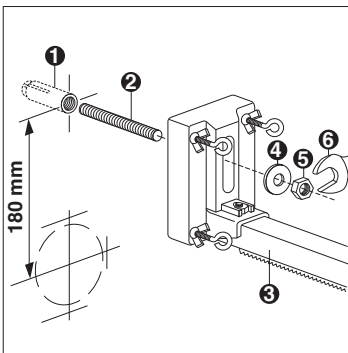
**Caution:** Must be secured additionally for wall applications with chain, rope, brace or support to support a load of at least 300 kg.

For ceiling applications the use of a vacuum baseplate not allowed.

The coring system must not be operated before fastening the baseplate!

## 7. Preparing the coring system for use

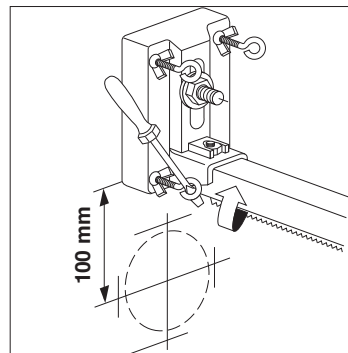
### 7.1 Fastening the drill stand using the bracing spindle and an anchor



1. HDI 1/2" internally threaded anchor (on concrete)
2. Bracing spindle
3. Drill stand
4. Washer
5. Bracing spindle nut
6. 19 mm AF open-end wrench

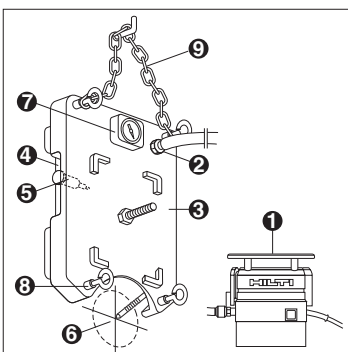
The drill stand is most rigid when the anchor is positioned at the front end of the anchor slot (closest to column). Recommended maximum distance from anchor to hole centre - 180 mm

### 7.2 Fastening the drill stand using an anchor and bracing spindle (continued)



- After tightening the bracing spindle nut, the levelling screws (in diagonal sequence) until the baseplate is rigid and secure.
- Distance from baseplate to centre of hole drilled - 100 mm

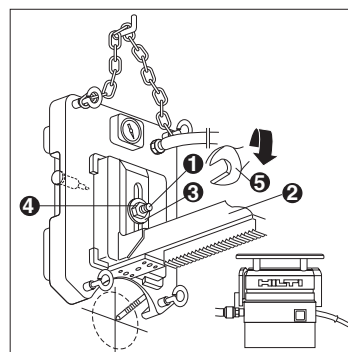
### 7.3 Fastening the vacuum baseplate



1. Vacuum pump
2. Vacuum connection
3. Vacuum baseplate
4. Grip
5. Release valve
6. Hole centre indicator
7. Vacuum indicator must remain within the green area
8. Levelling screws
9. Securing chain, rope, brace or support (see also section 6.2)

Unscrew the levelling screws sufficiently and check the seal for damage before positioning the baseplate.

### 7.4 Attaching the drill stand to the vacuum baseplate

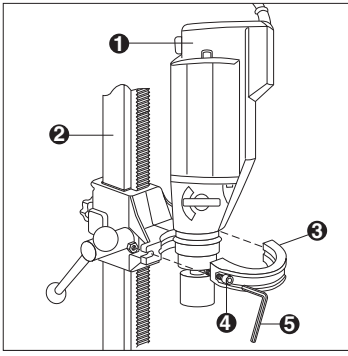


1. Bracing spindle
2. Drill stand
3. Washer
4. Bracing spindle nut
5. 19 mm AF open-end wrench

The coring system does not stand securely until vacuum pressure has been applied to the baseplate.

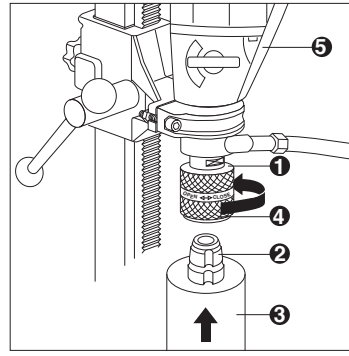
After applying the vacuum, tighten the levelling screws by hand as far as they will go, following a diagonal sequence.

### 7.5 Mounting the motor unit on the drill stand



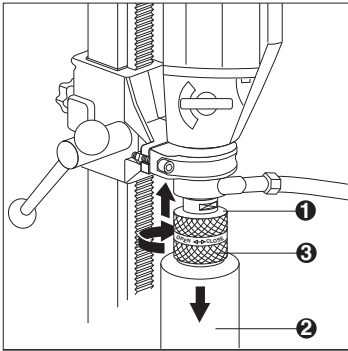
1. Motor unit
2. Drill stand
3. Clamping bar
4. Clamping screw
5. Wrench

### 7.6 Fitting a core bit



1. Chuck
2. Connection end
3. Core bit
4. Locking sleeve
5. Motor unit

### 7.7 Releasing a core bit



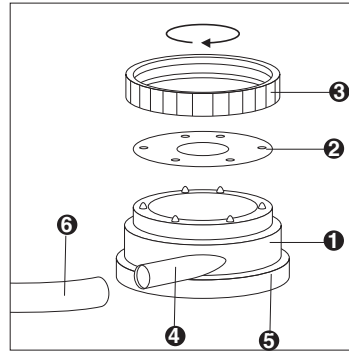
1. Chuck
2. Core bit
3. Locking sleeve

Hold the core bit before disengaging the locking sleeve.

When the core bit is released, ensure that the core does not accidentally fall out of the bit.

When drilling overhead, close the water supply valve and drain the core bit via the water supply hose before releasing it from the chuck (see section 3.4).

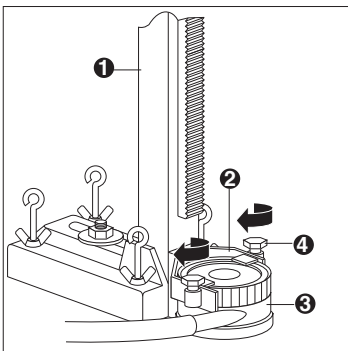
### 7.8 Inserting a sealing disc in the water collector



1. Water collector
2. Sealing disc (select correct diameter)
3. Clamping ring
4. Hose connection
5. Sealing ring
6. Water removal hose

A water removal system and a sealing disc in new condition must always be used for overhead coring.

### 7.9 Attaching the water collector

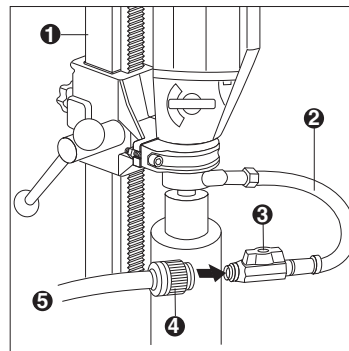


1. Drill stand
2. Water collector holder
3. Water collector
4. Pressure screws

Tighten the pressure screws evenly.

Use of the water collector is mandatory for overhead coring and is also recommended for all other coring positions.

### 7.10 Connecting the water supply

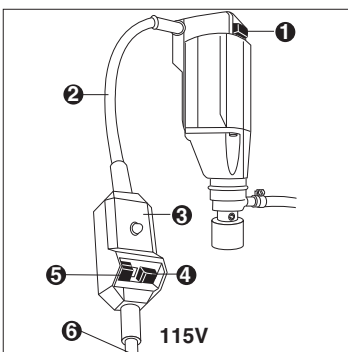


1. Drill stand
2. Water hose
3. Water valve
4. Hose connector
5. Water supply

Water supply pressure must not exceed 145 PSI.

### 7.11 Connecting the mains supply (115 V motor unit)

(Mains socket with earth/ground connection required, 15 A fuse rating)



1. Motor unit ON / OFF switch
2. Supply cord
3. GFCI ground fault circuit interruptor
4. GFCI test button
5. GFCI ON-switch
6. Mains plug specific to country

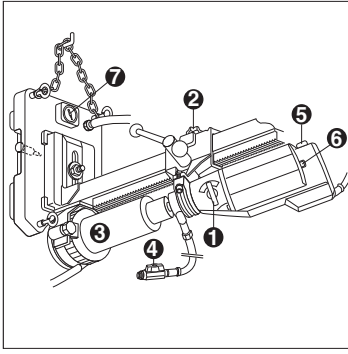
The DD-80 E comes equipped with a GFCI included in the power cord. The GFCI must be operated according to the following instructions.

1. Plug the GFCI into a 120 VAC grounded receptacle.
2. Press "Test" button. "Fault Light" should come on.
3. Press "Reset" button. "Fault Light" should go off.
4. Do not use the DD-80 E if the GFCI fails this test. Return to Hilti for servicing.

After every fault or interruption in the mains supply, switch off the motor unit before resetting the GFCI interruptor.

## 8. Operation

### 8.1 Operation



1. Select the correct coring speed. (Change speed only when rotation has stopped.)
2. Release the carriage locking device.
3. Guide the core bit into the water collector.
4. Open the water supply valve.
5. Switch on the motor.

Pay attention to the overload indicator (6) and vacuum meter (7) while coring.

### 8.2 Tips

- Reduce feed pressure and tighten carriage locking device slightly when starting holes in order to avoid vibration.
- If steel reinforcement is contacted, select lower coring speed and reduce water flow. (Obtain permission from site manager or engineer before cutting through steel reinforcement.)  
The diamond segments can become polished (reduced cutting performance) if the coring feed pressure is too low.
- Inadequate water flow will cause the core bit to overheat, resulting in permanent damage.
- Reduce coring feed pressure if the overload indicator lights up.
- Water flow rates  
8–47 mm max. 1–1,5 l/min.  
52–82 mm max. 3 l/min.

## 9. Maintenance

### 9.1 In order to provide trouble-free operation, the following points must be observed:

#### 1 Motor unit

- Keep the chuck clean and well lubricated.
- Keep the ventilation slots in the motor housing free of dirt and dust.
- Check the system regularly for water leakage.

#### 2 Drill stand

- Keep the column / guide rail clean.

#### 3 Vacuum baseplate

- With the exception of the seals, the vacuum baseplate requires no maintenance.

### 9.2 Wearing parts

- DD-VH2 replacement seal for the vacuum baseplate
- DD-WC-S sealing disc for the water collector
- DD-WC-S sealing ring for the water collector

**In case of technical problems, please contact the Hilti customer service department.**

## 10. Disposal



Return waste material for recycling

Most of the materials from which Hilti tools or machines are manufactured can be recycled. The materials must be correctly separated before they can be recycled.

In many countries, Hilti has already made arrangements for taking back your old machines or tools for recycling. Please ask your Hilti customer service department or Hilti sales representative for further information.

#### Disposal of drilling slurry

With regard to environmental aspects, allowing drilling slurry to flow directly

into rivers, lakes or the sewerage system without suitable pre-treatment is problematical. Ask the local authorities for information about applicable regulations.

#### We recommend the following pre-treatment:

Collect the drilling slurry (e.g. use a wet-type industrial vacuum cleaner). Allow the slurry to settle and dispose of the solid material at a construction waste disposal site (the addition of a flocculent may accelerate the settling process). Water from the drilling slurry (alkaline, pH value > 7) should be neutralized by adding an acidic neutralizing agent or large quantity of water before it is allowed to flow into the sewerage system.

## 11. Warranty

Hilti warrants that the product supplied is free of defects in material and workmanship. This warranty is valid as long as the product is operated and handled correctly, cleaned and serviced properly and in accordance with the Hilti operating instructions, all warranty claims made within 6 months (machine) or 12 months (other items of equipment) from the date of the sale (invoice date), unless other mandatory national regulations prescribe a longer minimum period, and the technical system is maintained. This means that only genuine Hilti consumables, components and spare parts may be used with the product.

This warranty provides the free-of-charge repair or replacement of defective parts only. Parts requiring repair or replacement as a result of normal wear and tear are not covered by this warranty.

**Additional claims are excluded, unless stringent national rules prohibit such exclusion. In particular, Hilti is not obligated for direct, indirect, incidental or consequential damages, losses or expenses in connection with, or by reason of, the use of, or inability to use the product for any purpose. Implied warranties of merchantability or fitness for a particular purpose are specifically excluded.**

Send the product and/or related parts immediately upon discovery of a defect to the local Hilti marketing organization for repair or replacement.

This constitutes Hilti's entire obligation with regard to warranty and supersedes all prior or contemporaneous comments and oral or written agreements concerning warranties.



Only for EU countries

Do not dispose of electric tools together with household waste material!

In observance of European Directive 2002/96/EC on waste electrical and electronic equipment and its implementation in accordance with national law, electric tools that have reached the end of their life must be collected separately and returned to an environmentally compatible recycling facility.

# Directives de sécurité pour des appareils mis à la terre

Lire toutes les instructions!

## Avertissement!

Lors de l'emploi de machines/d'appareils électroportatifs, l'utilisateur devra toujours observer les directives de sécurité de base suivantes de manière à toujours être bien protégé de toute électrocution, des risques d'accident ou des risques dus au feu. Avant d'utiliser la machine/l'appareil, lire attentivement ces directives de sécurité, bien en tenir compte et les conserver dans un endroit sûr!

- 1. Garder propre l'endroit où vous travaillez.** Tout désordre sur votre lieu de travail ou votre établi peut entraîner un risque d'accident.
- 2. Tenir compte du milieu ambiant à l'endroit où vous travaillez.** Éviter de travailler avec vos appareils électroportatifs sous la pluie, de les utiliser dans un milieu ambiant humide ou mouillé. L'endroit où vous travaillez devra toujours être bien éclairé. Ne pas utiliser d'appareil près de liquides ou de gaz inflammables.
- 3. Vous protéger de toute électrocution.** Ne jamais toucher de surfaces reliées à la terre telles que tuyaux, radiateurs, cuisinières, enceintes de réfrigérateurs.
- 4. Tenir les enfants éloignés.** Interdire à tous visiteurs de toucher l'appareil ou un prolongateur. Il est conseillé de les tenir éloignés de l'endroit où vous travaillez.
- 5. Ranger les appareils en position d'arrêt.** Les appareils que vous n'utilisez pas devraient être rangés dans un endroit sec, en hauteur ou fermé à clé – hors de portée des enfants.
- 6. Ne pas forcer sur l'appareil.** Il fournira un meilleur travail, avec une plus grande sécurité, au régime pour lequel il est prévu.
- 7. Utiliser le bon appareil.** Ne pas forcer sur un appareil ou un accessoire trop petit pour faire le travail d'un plus gros appareil. Ne pas utiliser un appareil pour un but pour lequel il n'est pas prévu – p. ex. – ne pas utiliser une scie circulaire pour couper des branches d'arbres ou des grumes.
- 8. Porter des vêtements appropriés.** Ne pas porter de vêtements amples, ni de bijoux. Ils risquent d'être happés par des pièces en mouvement. Pour travailler à l'extérieur, il est conseillé d'utiliser des gants en caoutchouc et de porter des chaussures à semelle antidérapante. Porter un casque ou une casquette si vous avez les cheveux longs.
- 9. Porter des lunettes de protection.** Si l'opération de coupe dégage de la poussière, porter aussi un masque (de protection).
- 10. Ne pas maltraiter le cordon.** Ne jamais porter l'appareil en le tenant par le cordon et ne pas tirer d'un coup sec pour débrancher l'appareil de la prise. Protéger le cordon de la chaleur, ne pas le souiller avec de l'huile et éviter les bords tranchants.
- 11. Bloquer la pièce pour travailler.** Utiliser des mâchoires ou un étai pour tenir la pièce. C'est plus sûr que de la tenir à la main et vous aurez ainsi les deux mains libres pour faire fonctionner l'appareil.
- 12. Ne pas trop vous pencher en avant/garder votre équilibre.** Bien rester en équilibre sur les deux pieds à tout moment.

- 13. Prendre soin de vos appareils.** Garder vos outils bien affûtés et propres pour obtenir de meilleures performances et travailler avec une plus grande sécurité. Suivre les instructions pour lubrifier les outils et changer d'accessoires. Inspecter régulièrement les cordons des appareils et, s'ils sont abîmés, les faire réparer par un atelier de réparation agréé. Inspecter régulièrement les prolongateurs et les remplacer s'ils sont abîmés. Tenir les poignées propres, au sec et éviter de les souiller avec de l'huile ou de la graisse.
- 14. Débrancher les appareils** si vous ne les utilisez pas, avant de les réviser ou de changer d'accessoire, de meche, de lame p. ex..
- 15. Enlever les clés (de réglage entre autres).** Prendre l'habitude de vérifier si les clés (de réglage entre autres) ont bien été enlevées de l'appareil avant de le mettre en marche.
- 16. Éviter toute mise en marche intempestive.** Ne pas transporter l'appareil en gardant le doigt sur l'interrupteur. Vous assurer que l'interrupteur est bien à l'arrêt avant de brancher l'appareil.
- 16A. Prolongateurs.** Vous assurer que votre prolongateur est en bon état. Utiliser un prolongateur suffisamment gros pour transporter le courant qui entraînera votre appareil. Si le cordon est sous-dimensionné, il risque de provoquer une chute de tension se traduisant par une perte de puissance et une surchauffe. Le tableau ci-après montre les dimensions correctes du prolongateur à utiliser suivant la longueur du cordon et l'ampérage de la plaquette. En cas de doute, utiliser la dimension immédiatement supérieure. Plus la dimension est petite, plus le cordon doit être gros.

### Tableau des longueurs de cordons

Volts	Longueur totale de cordon en pieds			
120 V	0-25	26-50	51-100	101-150
240 V	0-50	51-100	101-200	201-300

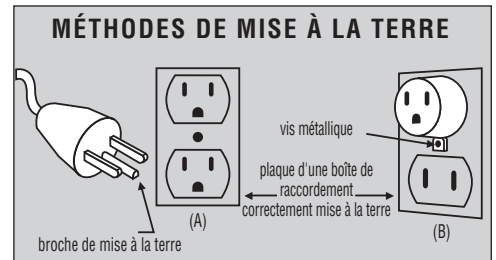
### Ampérage Grosseur de fil

Plus de	Pas plus de	18	16	16	14
0	6	18	16	16	14
6	10	18	16	14	12
10	12	16	16	14	12
12	16	14	12	Déconseillé	

- 17. Prolongateurs pour utilisation à l'extérieur.** Pour utiliser un appareil à l'extérieur, n'utiliser des prolongateurs que s'ils sont bien autorisés pour le but prévu et bien marqués en conséquence.
- 18. Restez attentif.** Regardez ce que vous faites. Faites preuve de bon sens. Ne faites pas fonctionner l'appareil si vous êtes fatigué.
- 19. Vérifier si les pièces sont abîmées.** Avant de continuer à utiliser l'appareil, vérifier soigneusement si un carter de protection ou une autre pièce n'est pas abîmée(e), s'il(s) elle) fonctionne correctement et remplit bien la fonction prévue. Vérifier si les pièces en mouvement sont bien réglées, ne grippent pas, si des pièces ne sont pas cassées, si elles sont bien assemblées et si toutes les autres conditions qui pourraient influencer sur leur fonctionnement sont bien remplies. Si un carter de protection ou une autre pièce sont abîmés, les faire réparer ou remplacer par un atelier de réparation agréé, sauf autre instruction dans le présent mode d'emploi. Faire réparer aussi par le même atelier les interrupteurs s'ils sont défectueux. Ne pas utiliser l'appareil si l'interrupteur ne fonctionne pas correctement.
- 20. Utiliser uniquement les accessoires et kits de fixation qui sont indi-**

qués dans le mode d'emploi ou dans le catalogue respectif. Si vous utilisez des accessoires, des inserts ou des kits de fixation autres que ceux spécifiés dans le mode d'emploi, vous pouvez vous blesser.

- 21. Faire effectuer les réparations uniquement par des électriciens spécialisés agréés.** Cet appareil électroportatif est conforme aux règlements de sécurité en vigueur. Toutes réparations ne peuvent être effectuées que par un électricien spécialisé, sous peine de risque d'accident pour l'utilisateur.
- 22. Porter un casque antibruit** si vous travaillez longtemps.
- 23. Si la poignée latérale est fournie, toujours l'utiliser** et vous assurer qu'elle est bien bloquée; utiliser l'appareil à deux mains. Bien rester en équilibre sur les deux pieds à tout moment. Ne pas trop vous pencher en avant. Si la meche vient à coincer, tenir fermement l'appareil.
- 24. Tenir l'appareil par la(les) poignée(s) fournie(s).** Ne pas toucher des parties non isolées de l'appareil lors du perçage. Les surfaces métalliques à nu peuvent être rendues conductrices si l'appareil vient à toucher un fil électrique lors du perçage.
- 25. Instructions de mise à la terre.** Cet appareil devrait être mis à la terre pendant son utilisation pour protéger l'opérateur de toute électrocution. Cet appareil est équipé d'un cordon à 3 conducteurs et d'une fiche du type mise à la terre à 3 broches qui s'adapte dans la prise mise à la terre. Le conducteur vert (ou vert et jaune) du cordon est le fil de mise à la terre. Ne jamais connecter le fil vert (ou vert et jaune) à une borne conductrice. Si votre appareil doit être utilisé sur une tension inférieure à 150 volts, il est muni d'une fiche comme illustré schéma (A), figure «Méthodes de mise à la terre». Un adaptateur, voir schéma (B), est disponible pour relier les fiches de type schéma (A) à des prises à deux trous. L'oreille rigide couleur verte, la cosse ou tout autre, provenant de l'adaptateur, doit être connectée et mise à la terre en permanence, comme p. ex. à une prise mise correctement à la terre.

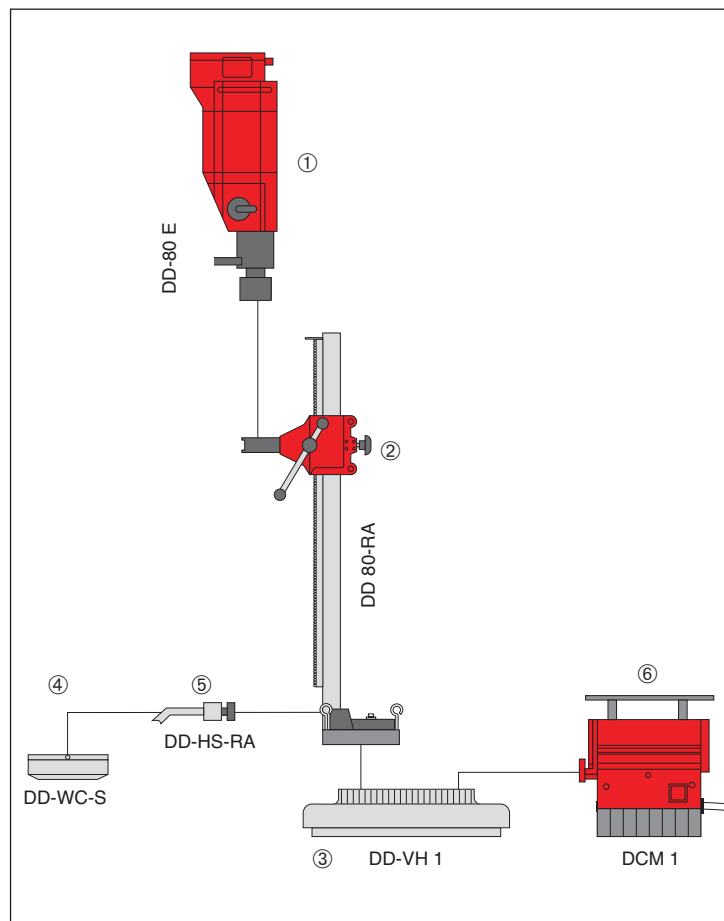


- 26. Prolongateurs.** Utiliser uniquement des prolongateurs à 3 conducteurs avec des fiches du type mise à la terre à 3 broches qui s'adaptent dans des prises à 3 trous. Si les cordons sont abîmés, les remplacer ou les réparer.
- 27. Pièces de rechange.** Pour les réparations et les révisions, utiliser uniquement des pièces de rechange d'origine.

Ranger ces directives de sécurité dans un endroit sûr!

Contenus	Page
Directives de sécurité	8
1. Système de carottage au diamant DD-80 E/RA	8
2. Appareil de carottage au diamant DD-80 E/RA	9
3. Directives de sécurité additionnelles	9
4. Fiche technique	10
5. Assemblage des composants du système	11
6. Choix d'une méthode pour immobiliser l'appareil de carottage	11
7. Préparation de l'appareil de carottage	11
8. Mode d'emploi du système	13
9. Entretien	13
10. Garantie	13

## 1. Le système de carottage au diamant DD-80 E/RA



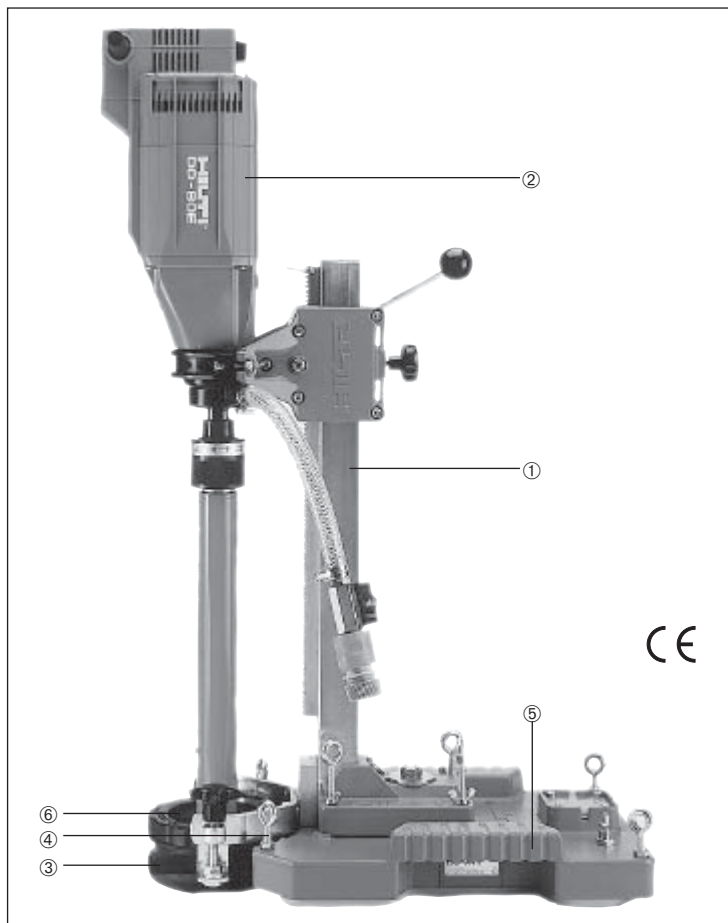
1. Bloc-moteur DD-80 E
2. Colonne DD 80-RA/DD 100-RA
3. Base à succion DD-VH 1
4. Collecteur d'eau DD-WC-S
5. Support DD-HS-RA
6. Pompe à vide



Porter un casque antibruit. Porter des gants de sécurité. Porter des lunettes de protection.



## 2. Appareil de carottage au diamant DD-80 E/RA



### 1. Colonne

- 1.1 Butée
- 1.2 Blocage de la descente
- 1.3 Clé hexagonale
- 1.4 Chariot
- 1.5 Vis de mise à niveau
- 1.6 Volant ou levier de descente

### 2. Bloc-moteur

- 2.1 Interrupteur
- 2.2 Commutateur de changement de vitesse
- 2.3 Mandrin
- 2.4 Cordon d'alimentation
- 2.5 Prise d'eau
- 2.6 Régulateur du débit d'eau

### 3. Collecteur d'eau

- 3.1 Disque étanche

### 4. Support pour le collecteur d'eau

- 4.1 Vis de réglage de la pression

### 5. Base à suction

## 3. Directives de sécurité additionnelles

### 3.1 Directives de sécurité pour le chantier

Avant de vous servir du système de carottage, veuillez lire attentivement les directives de sécurité et suivre les mesures de prévention qui figurent ci-dessous.

- Assurez-vous qu'aucun fil électrique, tuyau ou conduite de gaz, etc., ne passe à l'endroit où vous comptez carotter.
- Coupez l'alimentation aux câbles, tuyaux et autres lignes d'alimentation qui se trouvent à proximité de l'emplacement où vous comptez carotter.
- Le carottage ne doit pas nuire à la structure du bâtiment (carottage de l'armature d'acier!).
- Interdisez l'accès aux lieux où se déroule le carottage, particulièrement ceux qui se trouvent derrière le mur ou sous le plancher qui doit être perforé.
- Pour le carottage au plafond, assurez-vous que le collecteur et le système d'extraction de l'eau sont en bon état de marche.
- Servez-vous du système de carottage uniquement s'il comporte un interrupteur de mise à la terre défectueuse.

- Pour qu'il fonctionne sans ennuis et en toute sécurité, le système de carottage doit être propre. (Ne le nettoyez pas à l'aide d'un jet d'eau.)
- Le carottage doit être exécuté exclusivement par des ouvriers qualifiés qui ont été formés à l'usage de l'équipement.
- Lorsque vous utilisez la base à suction sur un mur, vous devez faire appel à une seconde méthode pour immobiliser l'appareil (voir la section 7.3).
- S'il y a une fuite dans le système d'alimentation en eau, l'équipement doit être vérifié.

- Ne toucher aucune pièce en rotation.

### 3.2a Directives de mise à la terre

Lorsqu'il est en usage, cet outil doit être mis à la terre afin d'aider à protéger son utilisateur contre les décharges électriques. L'outil est doté d'un cordon à trois conducteurs et d'une fiche à trois broches qui se branchent sur une prise de courant à trois broches avec mise à la terre. Le conducteur à gaine verte (ou vert et jaune) du cordon est le fil de terre. Ne raccordez jamais le conducteur à gaine verte (ou vert et jaune) sur une borne sous tension.

Si votre appareil est conçu pour fonctionner à une tension inférieure à 150 V, il sera doté d'une fiche semblable à celle illustrée en A à la figure 1. S'il est

conçu pour fonctionner à une tension qui se situe entre 150 V et 250 V, il sera doté d'une fiche semblable à celle illustrée en D. Il est possible de se procurer un adaptateur (illustré en B et C) servant à raccorder une fiche semblable à celle illustrée en A sur une prise de courant à deux sorties. La borne rigide de couleur verte qui dépasse de l'adaptateur doit être raccordée sur une prise de terre permanente, comme par exemple une boîte de raccordement correctement mise à la terre. Il n'existe pas d'adaptateurs pour les fiches semblables à celle illustrée en D.

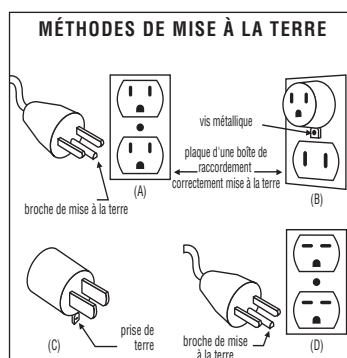


Figure 1

### 3.2b Rallonges

Servez-vous exclusivement de rallonges à trois conducteurs dotées d'une fiche à trois broches et d'une prise à trois broches qui s'adapte à la fiche de l'outil. Veuillez remplacer ou réparer les rallonges endommagées.

### 3.3 Protection contre les surcharges

Les systèmes de carottage au diamant Hilti sont dotés de dispositifs mécaniques, électroniques, thermiques et visuels de protection contre les surcharges.

#### Embrayage à friction

Il protège le moteur et la mèche de carottage lorsque cette dernière est coincée.

#### Protection électronique

En cas de surcharge causée par un excès de pression, le courant alimentant le moteur est diminué automatiquement. La mèche tourne alors à vitesse réduite. Lorsque la pression sur la mèche est diminuée, le

courant reprend son niveau normal et le moteur se remet à tourner à pleine vitesse.

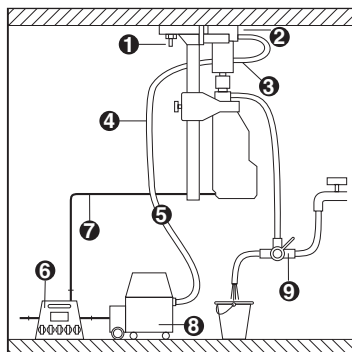
#### Protection contre la surchauffe

Le moteur est protégé contre la surchauffe par un capteur qui diminue automatiquement le courant d'alimentation en cas de surcharge continue ou si la température ambiante est élevée. Suite à une surchauffe, l'appareil se remet à fonctionner normalement dès que la température des bobinages du moteur atteint un niveau convenable. Vous pouvez accélérer le refroidissement des bobinages du moteur en faisant tourner l'outil à vide.

#### Indicateur de surcharge

La lampe de l'indicateur de surcharge s'allume lorsque le moteur fonctionne sous charge maximale. Il est recommandé d'utiliser l'appareil de façon à ce que la lampe ne soit pas constamment allumée (c.-à-d. réduire la pression).

### 3.4 Directives et précautions pour le carottage dans un plafond



Par mesure de sécurité, servez-vous de l'équipement suivant pour carotter dans un plafond:

1. Base fixée au plafond à l'aide d'un fixateur HDI de 1/2"
2. Collecteur d'eau avec disque étanche correspondant
3. Support de boyau
4. Boyau de vidange
5. Adaptateur pour aspirateur avale-tout
6. Interrupteur de mise à la terre défectueuse de 6 mA (fourni)
7. Cordon d'alimentation avec prise de terre

#### 8. Aspirateur avale-tout

Pour le carottage dans un plafond, toujours utiliser un aspirateur conçu pour aspirer l'eau et les matières humides.

#### 9. Robinet à trois voies

Avant de sortir la mèche de carottage du collecteur d'eau, coupez l'alimentation en eau et servez-vous du robinet à trois voies pour vidanger l'eau qui se trouve dans la mèche.

**Note:** Les disques étanches dureront plus longtemps si vous y appliquez un peu de graisse (de la graisse pour roulements à billes, par exemple) ou de lubrifiant Hilti en aérosol.

### 4. Fiche technique

Tension	100 V	115 V	230 V
Courant absorbé	15 A	15 A	8 A
Puissance absorbée	1400 W	1600 W	1700 W
Fréquence	50/60 Hz		
Plage de diamètres de mèche	8 à 82 mm		
Vitesses à vide:	Plage de diamètres / vitesse:		
1ère vitesse: 1200 tr/min	1ère vitesse: 37 à 82 mm		
2e vitesse: 2400 tr/min	2e vitesse: 18 à 40 mm		
3e vitesse: 3900 tr/min	3e vitesse: 8 à 24 mm		
Poids (selon l'équipement)	env. 13 kg		
Longueur du cordon	4 mètres		
Mandrin	Mandrin DD-BI à déclenchement rapide		
Régulateur électronique de ralenti			
Régulateur de courant de surcharge			
Indicateur visuel de surcharge			
Régulateur de courant de démarrage intégré			
Protection contre les surcharges thermiques			
Embrayage mécanique à friction			
Protection de classe 1 (alimentation principale avec prise de terre requise)			
Antiparasitage radio et télé conforme à EN 55014			
Réaction dans l'alimentation principale conforme à EN 60555, partie 2			
Homologation IEC 1029			

Le bruit émis par cet appareil a été mesuré selon IEC 59 CO 11, IEC 704, DIN 45635, partie 21, NFS 31-031 (84/537 / EWG).

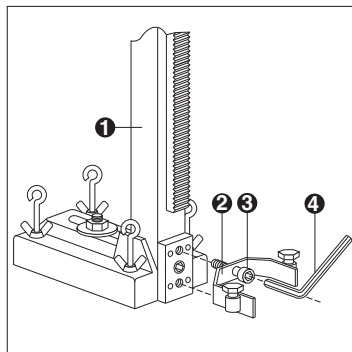
Dans certaines conditions, le niveau de bruit de l'appareil en marche peut dépasser 85 dB (A). Si c'est le cas, l'utilisateur doit se protéger les oreilles en conséquence.

Ce produit est homologué UL et certifié CSA



## 5. Assemblage des composants du système

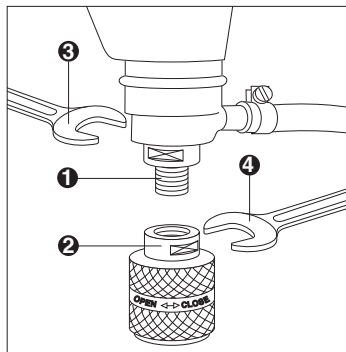
### 5.1 Installation du support de collecteur sur la colonne



1. Colonne
2. Support
3. Vis
4. Clé

Position supérieure pour usage **sans** la base à suction  
Position inférieure pour usage **avec** la base à suction

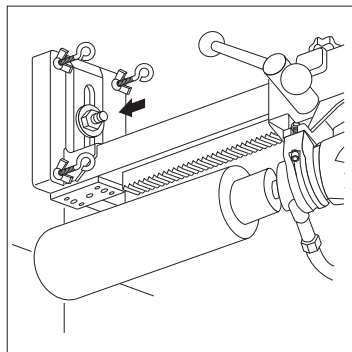
### 5.2 Changement de mandrin



1. Arbre moteur
2. Mandrin
3. Clé à fourche 21 mm
4. Clé à fourche 30 mm

## 6. Choix d'une méthode pour immobiliser l'appareil de carottage

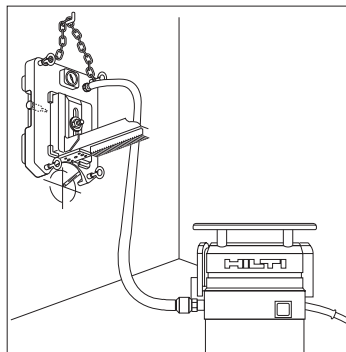
### 6.1 Immobilisation à l'aide d'un fixateur de scellement



- Méthode solide pour le carottage à rendement élevé
- Méthode polyvalente (carottage sur plancher, mur ou plafond)
- Peut aussi servir sur les surfaces inégales ou rugueuses

**Attention:** Le système de carottage ne doit pas être mis en marche avant d'avoir été immobilisé.

### 6.2 Immobilisation à l'aide de la base à suction



- Méthode d'immobilisation rapide
- Aucun besoin de forer de trou pour un fixateur

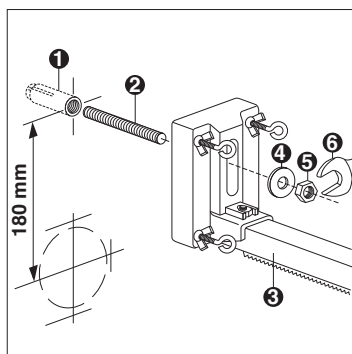
**Attention:** Pour le carottage sur un mur, la base à suction doit être doublée d'une chaîne, d'une corde, d'un appui ou d'un support pouvant supporter une charge d'au moins 300 kg.

Ne pas utiliser la base à suction pour le carottage dans un plafond.

Le système de carottage ne doit pas être mis en marche avant que vous en ayez immobilisé la base.

## 7. Préparation de l'appareil de carottage

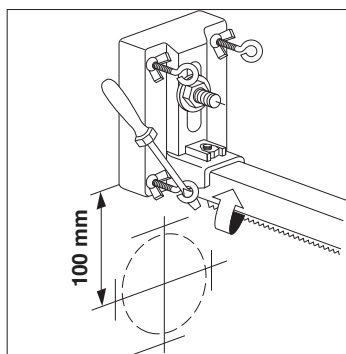
### 7.1 Immobilisation de la base à l'aide d'un fixateur et d'une tige filetée



1. Manchon HDI 1/2" à filetage interne (dans le béton)
2. Tige de support
3. Colonne
4. Rondelle
5. Écrou de la tige de support
6. Clé à fourche 19 mm

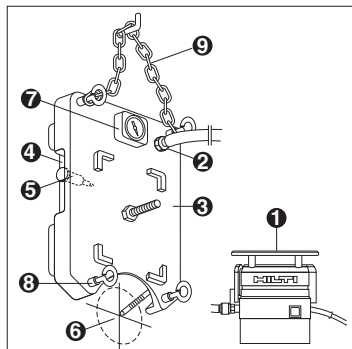
La colonne est plus stable lorsque le fixateur est posé à l'avant de la fente (près de la colonne).  
Distance maximum recommandée entre le fixateur et le centre du trou: 180 mm.

### 7.2 Immobilisation de la base à l'aide d'un fixateur et d'une tige filetée (suite)



- Après avoir serré l'écrou de la tige de support, serrez les vis de mise à niveau (en séquence diagonale) jusqu'à ce que la base soit fixe et rigide.
- Distance entre la base et le centre du trou: 100 mm

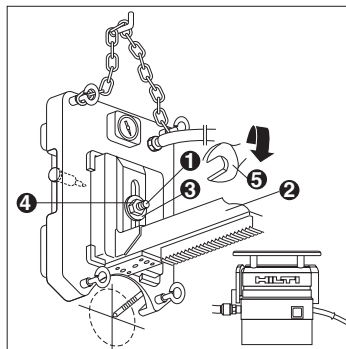
### 7.3 Immobilisation de la base à suction



1. Pompe à vide
2. Raccordement à vide
3. Base à suction
4. Poignées
5. Soupape casse-vide
6. Indicateur du centre
7. Vacuomètre (l'indicateur doit se trouver dans la zone verte)
8. Vis de mise à niveau
9. Chaîne, corde, appui ou support (voir aussi la section 6.2)

Avant d'installer la base à suction, relevez les vis de mise à niveau et vérifiez si la garniture étanche est intacte.

### 7.4 Installation de la colonne sur la base à suction

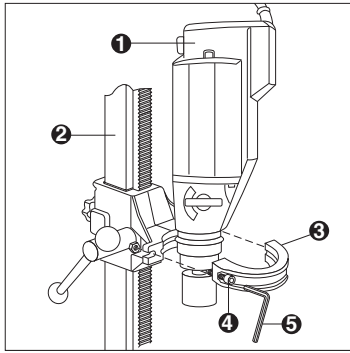


1. Tige de support
2. Colonne
3. Rondelle
4. Écrou de la tige de support
5. Clé à fourche de 19 mm

Le système de carottage n'est pas fixé solidement tant que le vide n'a pas été fait dans la base.

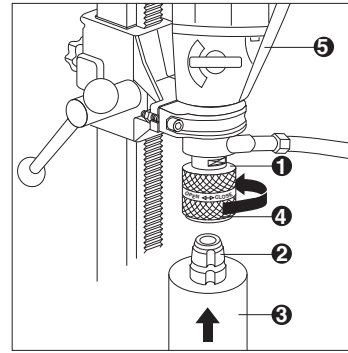
Après avoir fait le vide, serrez à la main les vis de mise à niveau jusqu'au fond en suivant une séquence diagonale.

### 7.5 Installation du bloc-moteur sur la colonne



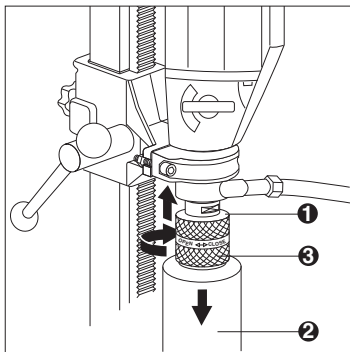
1. Bloc-moteur
2. Colonne
3. Bride
4. Vis de serrage de la bride
5. Clé

### 7.6 Installation d'une mèche de carottage



1. Mandrin
2. Emmanchement
3. Couronne de forage
4. Douille de blocage
5. Bloc-moteur

### 7.7 Démontage d'une mèche de carottage



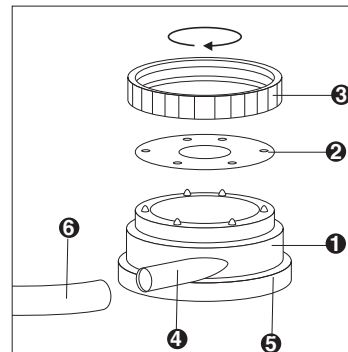
1. Mandrin
2. Couronne de forage
3. Douille de blocage

Pour desserrer le mandrin, tenir la couronne de forage.

Pour desserrer la couronne de forage, bien faire attention que la carotte de béton ne tombe pas soudainement de la couronne.

Lors des travaux sous plafonds, avant de desserrer la couronne de forage, la vider à travers le circuit d'eau (voir point 3.4).

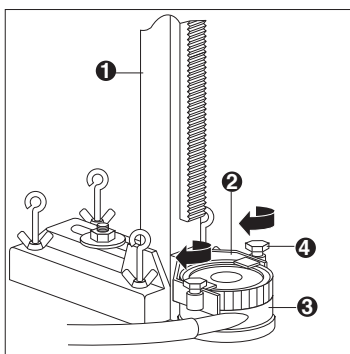
### 7.8 Installation d'un disque étanche dans le collecteur d'eau



1. Collecteur d'eau
2. Disque étanche (choisir le diamètre qui convient)
3. Bague de serrage
4. Prise d'eau
5. Garniture d'étanchéité
6. Boyau de vidange

Pour le carottage dans un plafond, utilisez toujours le système de vidange d'eau et un disque étanche neuf.

### 7.9 Installation du collecteur d'eau

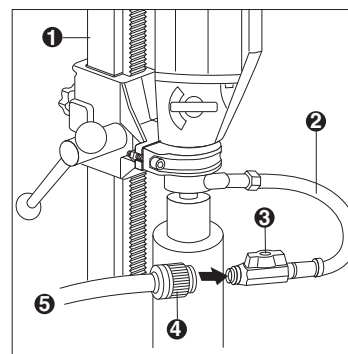


1. Colonne
2. Support du collecteur d'eau
3. Collecteur d'eau
4. Vis à pression

Serrez uniformément les vis à pression.

L'utilisation du collecteur d'eau est obligatoire pour le carottage dans un plafond et recommandée pour les autres carottages.

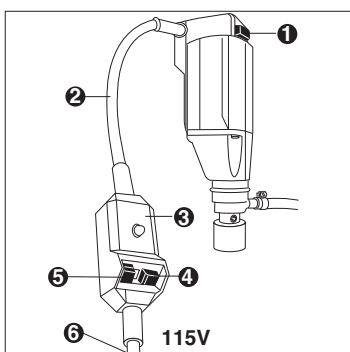
### 7.10 Raccordement de l'alimentation en eau



1. Colonne
2. Boyau
3. Robinet
4. Raccord
5. Source externe d'eau

La pression de l'eau du système d'alimentation ne doit pas dépasser 10 bar (145 psi).

### 7.11 Raccordement sur le secteur (bloc-moteur de 115 V) (Prise de courant avec prise de terre et fusible de 15 A requise)



1. Interrupteur du bloc-moteur
2. Cordon d'alimentation
3. Interrupteur de mise à la terre défectueuse
4. Bouton d'essai de l'interrupteur de mise à la terre défectueuse
5. Bouton de réenclenchement de l'interrupteur de mise à la terre défectueuse
6. Fiche propre à chaque pays

Le DD-80 E est vendu avec un cordon d'alimentation doté d'un interrupteur de mise à la terre défectueuse. Cet interrupteur doit être employé de la façon suivante:

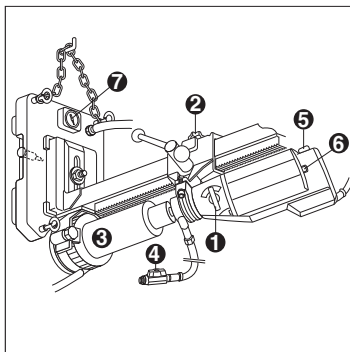
1. Branchez l'interrupteur de mise à la

- terre défectueuse sur une prise de courant mise à la terre de 120 V c.a.
2. Appuyez sur le bouton d'essai. La lampe d'anomalie doit s'allumer.
3. Appuyez sur le bouton de réenclenchement. La lampe d'anomalie doit s'éteindre.
4. Ne vous servez pas de l'appareil DD-80 E si l'interrupteur de mise à la terre défectueuse échoue cette épreuve. Retournez-le chez Hilti pour le faire réparer.

Après chaque anomalie ou interruption de l'alimentation, coupez le moteur avant de réenclencher l'interrupteur de mise à la terre défectueuse.

## 8. Mode d'emploi

### 8.1 Mode d'emploi



1. Choisissez la vitesse de carottage qui convient. (Changez la vitesse uniquement lorsque toute rotation a cessé.)
2. Dégagez le dispositif de blocage du chariot.
3. Insérez la mèche de carottage dans le collecteur d'eau.
4. Ouvrez l'eau.
5. Mettez le moteur en marche.

Pendant le carottage, gardez un œil sur l'indicateur de surcharge (6) et sur l'indicateur du vacuomètre (7).

### 8.2 Conseils

- Pour éviter toutes vibrations, ne prépointer la couronne de forage qu'en réduisant l'effort d'avance et qu'en serrant légèrement le blocage de l'avance.
- Lorsque vous atteignez l'armature en acier, baissez la vitesse et diminuez le débit d'eau. (Avant d'entamer l'armature en acier, veuillez obtenir la permission d'une personne autorisée.) Si la pression sur l'outil est trop faible, les segments à diamants risquent de subir le polissage et de perdre une partie de leur rendement.
- Un débit d'eau inadéquat fera surchauffer la mèche, entraînant des dommages permanents.
- Si la lampe de l'indicateur de surcharge est allumée, diminuez la pression que vous exercez sur l'outil.
- Débit d'eau  
8 à 47 mm de diam.  
1 à 1,5 l/min maxi  
52 à 82 mm de diam.  
3 l/min maxi

## 9. Entretien

### 9.1 Afin d'assurer un fonctionnement sans ennui, veuillez vous conformer aux directives suivantes:

#### 1 Bloc-moteur

- Gardez le mandrin propre et bien lubrifié.
- Assurez-vous que les prises d'air du moteur sont propres et qu'elles ne sont pas bouchées par de la poussière ou des saletés.
- Vérifiez régulièrement le système afin d'y détecter toute fuite.

#### 2 Colonne

- Gardez la colonne et la crémaillère propres

#### 3 Base à succion

- Exception faite des garnitures d'étanchéité, la base à succion ne nécessite aucun entretien.

### 9.2 Pièces à usure

- Garnitures d'étanchéité DD-VH2 de la base à succion.
- Disques étanches du collecteur d'eau DD-WC-S.
- Garniture d'étanchéité du collecteur d'eau DD-WC-S.

**En cas de problème technique, veuillez communiquer avec le service à la clientèle de Hilti.**

## 10. Recyclage



Recycler les déchets

Les appareils Hilti sont fabriqués pour une grande part en matériaux recyclables dont la réutilisation exige un tri correct. Dans de nombreux pays, Hilti est déjà équipé pour reprendre votre ancien appareil afin d'en recycler les composants. Consultez le service clients Hilti ou votre conseiller commercial.

### Recyclage des boues de forage

En raison de la protection de l'environnement, les boues de forage ne doivent pas être versées dans les cours d'eau ou les canalisations.



Pour les pays européens uniquement  
Ne pas jeter les appareils électriques dans les ordures ménagères ! Conformément à la directive européenne 2002/96/EG relative aux déchets d'équipements électriques ou électroniques (DEEE), et à sa transposition dans la législation nationale, les appareils électriques doivent être collectés à part et être soumis à un recyclage respectueux de l'environnement.

Veuillez vous renseigner auprès de votre administration locale sur les directives en vigueur en la matière.

### Nous recommandons de les traiter comme suit:

Collecter les boues de forage (par ex. au moyen d'une pompe à vide)  
Faire décanter les boues de forage et éliminer la partie sèche dans une déchetterie spécialisée pour les gravats.  
(Un agent flocculant peut accélérer le processus de décantation)  
Avant de déverser l'eau résiduelle (basique, pH > 7) dans les canalisations, il convient de la neutraliser en ajoutant un neutralisant acide ou en la diluant avec beaucoup d'eau.

## 11. Garantie

Hilti garantit l'appareil contre tous vices de matière et de fabrication. Cette garantie s'applique à condition que l'appareil soit utilisé et manipulé, nettoyé et entretenu correctement, en conformité avec le mode d'emploi Hilti, que toutes réclamations concernant la garantie soient adressées dans les 6 mois pour le moteur et 1 an pour les équipements accessoires (sauf si un délai minimal plus long est prescrit par des dispositions légales nationales impératives) à compter de la date de vente (date de facture) et que l'intégrité technique soit préservée, c'est-à-dire sous réserve de l'utilisation exclusive de consommables, accessoires et pièces de rechange d'origine Hilti.

Cette garantie se limite strictement à la réparation gratuite ou au remplacement gracieux des pièces défectueuses. Elle ne couvre pas les pièces soumises à une usure normale.

**Toute autre revendication est exclue pour autant que des dispositions légales nationales impératives ne s'y opposent pas. Notamment, Hilti ne saurait être tenu pour responsable de toutes détériorations, pertes ou dépenses directes, indirectes, accidentelles ou consécutives, en rapport avec l'utilisation ou dues à une incapacité à utiliser l'appareil dans quelque but que ce soit. Hilti exclut en particulier les garanties implicites concernant l'utilisation et l'aptitude dans un but bien précis.**

Pour toute réparation ou tout échange, renvoyer l'appareil et (ou) les pièces concernées au réseau de vente Hilti compétent, sans délai, dès constatation du défaut.

La présente garantie couvre toutes les obligations d'Hilti et annule et remplace toutes les déclarations antérieures ou actuelles, de même que tous accords oraux ou écrits concernant des garanties.

# Directivas de seguridad para herramientas puestas a tierra

¡Lea todas las instrucciones!

## ¡Advertencia!

Durante el empleo de máquinas/de herramientas eléctricas portátiles, el usuario deberá observar las directivas de seguridad de base siguientes de manera que esté siempre bien protegido contra una electrocución, riesgos de accidente o riesgos debidos al fuego. ¡Antes de emplear la máquina/la herramienta, lea atentamente estas directivas de seguridad y consérvelas en un lugar seguro!

- Mantenga limpio el lugar donde usted trabaje.** Todo desorden en su puesto de trabajo o en su banco de trabajo puede constituir un riesgo de accidente.
- Considere el medio ambiente en el lugar donde usted trabaje.** Evite el trabajo con sus herramientas eléctricas portátiles bajo la lluvia, así como su utilización en un medio ambiente húmedo o mojado. El lugar donde usted trabaje deberá estar siempre bien iluminado. No emplee herramientas cerca de líquidos o de gases inflamables.
- Protéjase contra toda electrocución.** No toque nunca superficies conectadas a tierra, como tuberías, radiadores, cocinas eléctricas, envolturas de frigoríficos.
- Mantenga a los niños alejados.** Prohíba a todo visitante que toque la herramienta o un programador. Es recomendable que éstos se mantengan alejados del lugar donde usted trabaje.
- Almacene las herramientas en posición de parada.** Las herramientas que usted no utilice deberían almacenarse en un lugar seco, a cierta altura o cerrado con llave, fuera del alcance de los niños.
- No ejerza fuerza sobre la herramienta.** Ella proporcionará un trabajo mejor, con mayor seguridad, al régimen para el que haya sido prevista.
- Emplee la herramienta adecuada.** No ejerza fuerza sobre la herramienta o un accesorio demasiado pequeño para que la misma realice el trabajo de una herramienta mayor. No emplee una herramienta para una finalidad para la que no haya sido prevista, por ejemplo no emplee una sierra circular para cortar ramas o corteza de árboles.
- Emplee la ropa adecuada.** No se ponga ropa amplia ni joyas. Ellas podrían ser atrapadas por piezas en movimiento. Para trabajar en el exterior, conviene llevar puestos guantes de caucho y calzado con suela antideslizante. Si tiene cabellos largos, póngase un casco como protección para los pelos.
- Use gafas de protección.** Cuando la operación de corte libere polvo, use igualmente una máscara de protección.
- No maltrate el cordón eléctrico.** No lleve nunca la herramienta colgada del cordón y no tire del mismo con un golpe seco para desconectar la herramienta de la toma eléctrica. Proteja el cordón contra el calor, no lo ensucie con aceite y evite los bordes cortantes.
- Bloquee la pieza para trabajar.** Utilice mordazas o un tornillo de banco para retener la pieza. Resulta más seguro que mantenerla en la mano y además, de esta manera, usted tendrá las dos manos libres para hacer funcionar la herramienta.
- No se incline demasiado hacia adelante/guarde su equilibrio.** Permanezca en todo momento en equilibrio sobre los dos pies.
- Cuide bien sus herramientas.** Guarde sus herramientas bien afiladas y

limpios para obtener mejores resultados y para trabajar con mayor seguridad. Siga las instrucciones para lubricar las herramientas y cambiar los accesorios. Inspeccione regularmente los cordones de las herramientas y, cuando éstos estén dañados, ordene su reparación en un taller autorizado con este fin. Inspeccione regularmente los prolongadores y reemplácelos cuando estén dañados. Mantenga las empuñaduras limpias y secas; evite su ensuciamiento con aceite o con grasa.

- Desconecte las herramientas** cuando no tenga que utilizarlas, antes de revisarlas o de cambiar algún accesorio, broca, lámina, etc.
- Retire las llaves (de ajuste entre otras cosas).** Acostúmbrase a verificar que las llaves (de ajuste por ejemplo) han sido retiradas de la herramienta antes de su puesta en marcha.
- Evite toda puesta en marcha intempestiva.** No transporte la herramienta manteniendo el dedo sobre el interruptor. Asegúrese de que el interruptor está abierto antes de activar la herramienta.
- Prolongadores.** Asegúrese de que su prolongador se encuentra en buen estado. Utilice un prolongador suficientemente grande para transportar la corriente que absorberá su herramienta. Cuando el cordón esté subdimensionado, él podrá producir una caída de tensión con las consiguientes pérdidas de potencia y sobrecalentamiento. La tabla siguiente muestra las dimensiones correctas del prolongador a utilizar según la longitud del cordón y la corriente de la placa de características. En caso de duda, elija la dimensión inmediatamente superior. Cuanto menor sea la dimensión, tanto más grueso deberá ser el cordón.

Tabla de longitudes de cordones

Voltios	Longitud total del cordón en pies			
	0-25	26-50	51-100	101-150
120 V				
240 V	0-50	51-100	101-200	201-300

Corriente	Tamaño de hilo			
	Mayor que	No mayor que		
0	6	18	16	16
6	10	18	16	14
10	12	16	16	14
12	16	14	12	Desaconsejado

**17. Prolongadores para empleo en el exterior.** Para emplear una herramienta en el exterior, emplee exclusivamente prolongadores que hayan sido autorizados para la finalidad prevista y que estén marcados correctamente.

**18. Esté siempre atento.** Observe lo que está haciendo. Haga uso de buen sentido. No ponga en marcha la herramienta cuando usted esté cansado.

**19. Verifique si las piezas están dañadas.** Antes de emplear la herramienta, verifique cuidadosamente si se dañó algún elemento de protección u otra pieza, si él (ella) funciona correctamente y responde bien a la función prevista. Verifique si las piezas en movimiento están bien ajustadas, no se agarratan, si hay piezas rotas, si ellas están bien ensambladas y si se cumplen todas las demás condiciones que puedan influir en el funcionamiento. En caso de daño de un elemento de protección o de otra pieza, encargue su reparación o reemplazamiento por un taller de reparación apropiado, salvo otra instrucción en el presente modo de empleo. Encargue igualmente en el mismo taller la reparación de los interruptores cuando éstos tengan algún defecto. No emplee la herramienta si el interruptor no funciona correctamente.

**20. Emplee únicamente los accesorios y juegos de fijación indicados** en el modo de empleo o en el catálogo correspondiente. Usted corre peligro de lesión cuando emplee accesorios o juegos de fijación que no correspondan a los especificados en el modo de empleo.

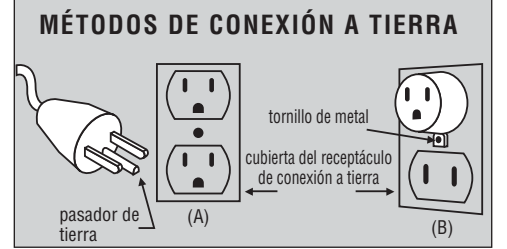
**21. Encargue que las reparaciones sean efectuadas exclusivamente por electricistas especializados.** Esta herramienta eléctrica portátil responde a los reglamentos de seguridad en vigor. Toda reparación deberá ser efectuada por un electricista especializado, an fin de evitar todo riesgo de accidente para el usuario.

**22. Lleve puesto un casco antiruido** cuando trabaje durante un tiempo prolongado.

**23. Cuando se suministre la empuñadura lateral,** empléela siempre y asegúrese de que ella se encuentra bien bloqueada; emplee la herramienta con las dos manos. Permanezca en todo momento en equilibrio sobre los dos pies. No se incline demasiado hacia adelante. Si se atasca la broca, mantenga firmemente la herramienta.

**24. Retenga el aparato por la (las) empuñadura(s) suministrada(s).** No toque piezas no aisladas de la herramienta durante el taladrado. Las superficies metálicas desnudas pueden resultar conductoras cuando la herramienta toque un hilo eléctrico durante el taladrado.

**25. Instrucciones de puesta a tierra.** Esta herramienta debería estar puesta a tierra durante su utilización, para proteger al operador contra toda electrocución. Esta herramienta está equipada con un cordón de tres conductores y un conector de puesta a tierra de tres enchufes que se adapte en la toma de puesta a tierra. El conductor verde (o verde y amarillo) del cordón es el hilo de puesta a tierra. No conecte nunca el hilo verde (o verde y amarillo) a un borne conductor. Cuando su herramienta no deba emplearse a una tensión inferior a 150 voltios, ella tendrá un enchufe como el ilustrado en el esquema (A), figura «Métodos de puesta a tierra». Se encuentra a disposición un adaptador; véanse esquema (B), para enlazar los enchufes de tipo esquema (A) a tomas de dos orificios. La oreja rígida de color verde, el terminal de cable o cualquier otra cosa, proveniente del adaptador, deberá conectarse y ser puesto a tierra permanentemente, como por ejemplo a una toma puesta correctamente a tierra.



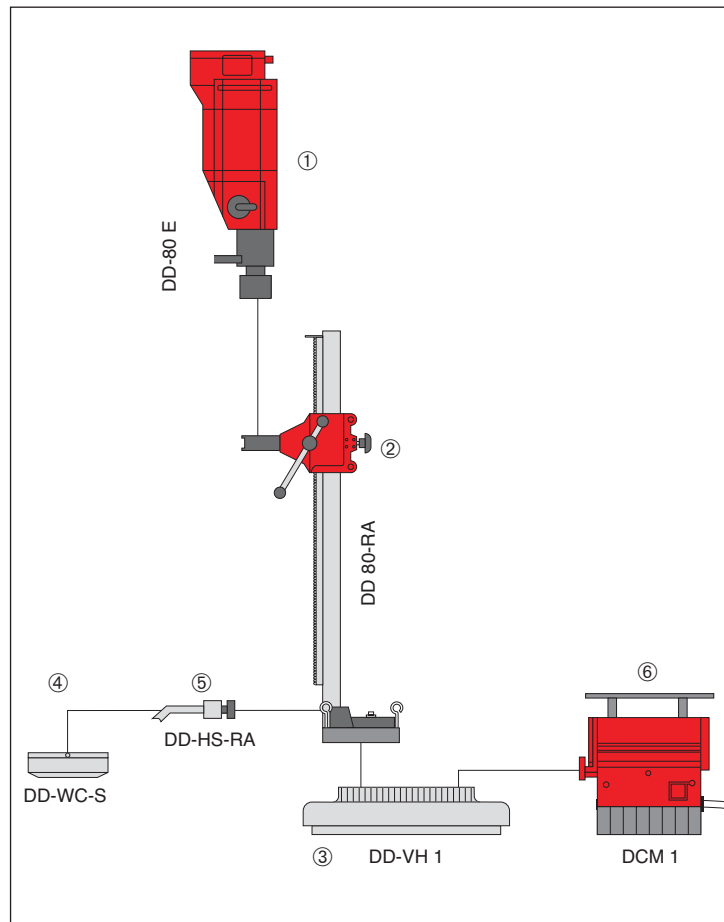
**26. Prolongadores.** Emplee exclusivamente prolongadores de tres conductores con enchufes del tipo de puesta a tierra de tres clavijas que se adaptan en tomas de 3 orificios. Reemplazar o reparar los cordones cuando estén dañados.

**27. Piezas de repuesto.** Al dar servicio utilice únicamente piezas de repuesto idénticas.

¡Conserve estas directivas de seguridad en un lugar seguro!

Índice	Página
Precauciones de seguridad	14
1. Sistema de perforación con diamante DD-80 E/RA	14
2. Equipo de perforación DD-80 E/RA	15
3. Precauciones adicionales de seguridad	15
4. Datos técnicos	16
5. Montaje de los componentes del sistema	17
6. Selección del método de sujetar el sistema de perforación con diamante	17
7. Preparación para usar el sistema de perforación con diamante	17
8. Operación del sistema	19
9. Mantenimiento	19
10. Garantía	19

## 1. El sistema de perforación con diamante DD-80 E/RA

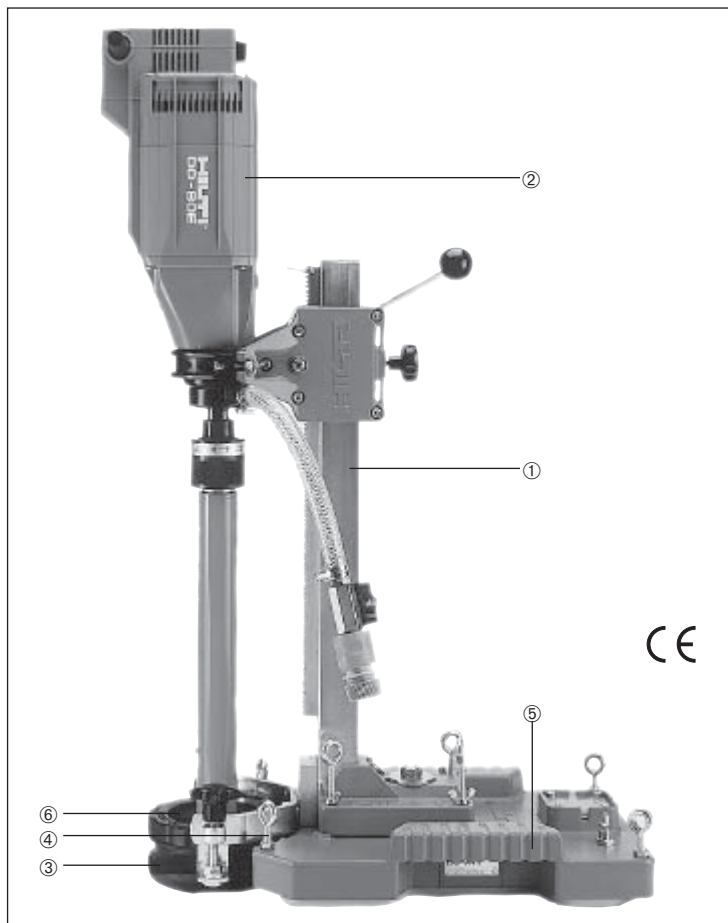


- Motor DD-80 E
- Conjunto de Soporte DD 80-RA/DD 100-RA
- Placa base de vacío DD-VH1
- Colector de agua DD-WC-S
- Soporte del DD-HS-RA
- Bomba de vacío



Llevar siempre gafas protectoras  
Llevar siempre guantes protectores los ojos  
Protegerse siempre los oídos

## 2. Máquina de perforación con diamante DD-80 E/RA



### 1. Conjunto de Soporte

- 1.1 Tope
- 1.2 Mecanismo para parar el avance del carro guía
- 1.3 Llave hexagonal
- 1.4 Carro Guía
- 1.5 Tornillos nivelantes
- 1.6 Volante

### 2. Motor

- 2.1 Gatillo para encender o apagar el motor
- 2.2 Gatillo para cambio de velocidad
- 2.3 Portabrocas
- 2.4 Cordón eléctrico
- 2.5 Conexión de agua
- 2.6 Válvula reguladora de agua

### 3. Colector de agua

- 3.1 Disco sellante

### 4. Soporte del colector de agua

- 4.1 Tornillos de ajuste de la presión

### 5. Placa base de vacío

CE

## 3. Seguridad

### 3.1 Precauciones de seguridad en la área de trabajo

Antes de comenzar a trabajar con el equipo de perforación con diamante, lea cuidadosamente las instrucciones de operación y asegúrese de que las instrucciones de seguridad enumeradas a continuación son observadas.

- Asegúrese de que no hayan cables eléctricos, cañerías de agua o gas, etc. en los puntos donde penetrará la broca de diamante.
- Se debe desconectar todo cable, cañería o demás líneas de suministro que estén próximos a los agujeros donde penetrará la broca de diamante.
- La operación de perforación con diamante no debe tener un efecto negativo sobre el diseño estructural del edificio (por ejemplo, no debe atravesar barras de acero de refuerzo).
- Impida la circulación de personas en la área de trabajo de perforación, en especial detrás de paredes o debajo de los pisos a través de los cuales se esté perforando.
- Cuando se opere el equipo de perforación con diamante por encima, el colector de agua y el sistema de remoción de agua deben estar en buenas condiciones y deben estar funcionando correctamente.
- El sistema de perforación con diamante debe ser operado solamente si dentro del sistema está conectado el interruptor de circuito por fallas de tierra («GFI»).
- Para proveer una operación segura y sin problemas, el sistema de perforación con diamante debe mantenerse limpio. (No lo limpie usando un chorro de agua).
- El trabajo de perforación con diamante debe ser efectuado solamente por personas que hayan recibido instrucciones en el uso del equipo.
- Cuando se esté operando en paredes usando la placa de base de vacío se deben emplear métodos adicionales para asegurar el equipo (ver la sección 7.3)
- Si hay fugas en el sistema de suministro de agua, se debe efectuar mantenimiento al equipo.
- No toque las partes giratorias.

### 3.2a Instrucciones para conexión a tierra

Esta herramienta debe estar conectada a tierra mientras esté siendo usada para ayudar a proteger al operador de golpes eléctricos. La herramienta tiene un cordón eléctrico de 3 cables y un enchufe de tipo de conexión a tierra de 3 patas para encajar al tipo correcto de receptáculo de conexión a tierra. El cable verde (o verde y amarillo) dentro del cordón es el cable de tierra. Nunca conecte el verde (o el verde y amarillo) a un terminal cargado. Si su equipo es para usarse en menos de 150 V, tendrá un enchufe similar al que se ven en el esquema (A) de la Fig. 1. Si es para usarse en 150 V a 250 V, tendrá un enchufe similar al que se ve en el esquema (D). Se

dispone de adaptadores como los que se ven en los esquemas (B) y (C) para conectar enchufes del tipo que se ve en el esquema (A) a receptáculos para dos patas. Las orejas rígidas de color verde, asa, o similar que salen del adaptador deben conectarse de manera permanente a tierra, como por ejemplo a una caja de empalme correctamente conectada a tierra. No se dispone de adaptadores para un enchufe como el que se ve en el esquema (D).

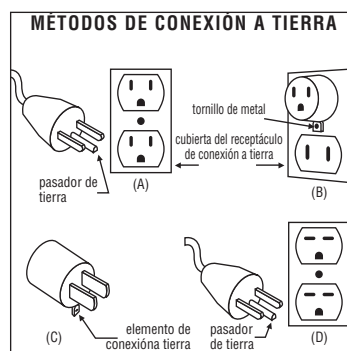


Figura 1

### 3.2b Cordones de Extensión

Use solamente cordones de extensión de 3 cables que tengan enchufes de conexión a tierra de 3 patas y receptáculos de 3 polos que acepten el enchufe de la herramienta. Cordones dañados deben reemplazarse o ser reparados.

### 3.3 Protecciones de sobrecargas

Las máquinas Hilti de perforación con diamante están equipadas con protectores mecánicos, electrónicos, térmicos y la luz indicadora de sobrecargas.

#### Embrague de seguridad

Protege al motor y a la broca de diamante en el caso de que la broca se trabe de repente.

#### Protección electrónico

En el caso de sobrecargas debido a la perforación bajo presión excesiva, la corriente del motor es reducida automáticamente para que la broca

de diamante sólo gire lentamente. Cuando se reduzca la presión de alimentación, la entrada de corriente regresa al nivel normal y el motor sigue operando a plena potencia.

#### Protección contra sobrecargas térmicas

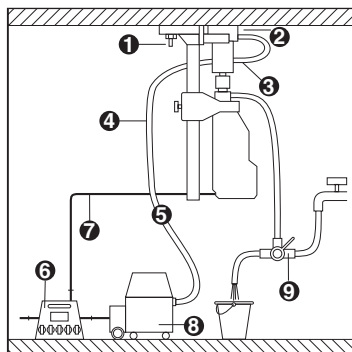
El motor está protegido contra sobrecargas térmicas por un sensor que automáticamente reduce la entrada de corriente en casos de sobrecargas continua y también cuando la temperatura ambiente es elevada. La máquina puede volver a operarse normalmente después de

que la temperatura del embobinado del motor haya bajado a un nivel satisfactorio. Se puede acelerar el enfriamiento del embobinado del motor permitiendo que la máquina funcione sin carga.

#### Luz indicadora de sobrecargas

La luz indicadora de sobrecargas se enciende cuando se está operando el motor a carga máxima. Se recomienda que se opere la máquina de manera que la luz indicadora de sobrecargas no esté encendido en forma continua (por ejemplo, reduciendo la presión sobre la broca).

### 3.4 Instrucciones y precauciones para operar el equipo de perforación con diamante por encima



Por razones de seguridad, se debe usar el siguiente equipo cuando se esté operando el equipo de perforación con diamante por encima:

1. Conjunto de soporte, sujeto al techo con un anclaje HDI 1/2"
2. Colector de agua completo con su disco sellante respectivo
3. Abrazadera de alivio de esfuerzo de manguera
4. Manguera de remoción de agua
5. Adaptador para una aspiradora húmeda
6. Interruptor de circuito por falla de tierra (GFI) (incluido)

7. Cordón eléctrico con un cable de conexión a tierra
8. Aspiradora húmeda
- Para operar un equipo de perforación con diamante por encima, se debe usar siempre una aspiradora diseñada para retirar agua y materiales mojados.
9. Conexión de agua de tres pasos

**Nota:** La vida de los discos sellantes puede extenderse si se aplica un poco de grasa, (por ejemplo, grasa para balineras) o un spray lubricante de Hilti.

Cierre la válvula de suministro de agua y drene el agua de la broca de diamante en la conexión de tres pasos antes de sacar la broca de diamante del colector de agua.

### 4. Datos técnicos

Voltaje	100 V	115 V	230 V
Amperaje	15 A	15 A	8 A
Potencia absorbida	1400 W	1600 W	1700 W
Frecuencia	50/60 Hz		
Rango diámetros de brocas	8 – 82 mm		
Velocidades sin carga:	Velocidad/Rango diám. brocas		
1a. vel.: 1200 rpm	1a. vel.: 37 – 82 mm		
2a. vel.: 2300 rpm	2a. vel.: 18 – 40 mm		
3a. vel.: 3900 rpm	3a. vel.: 8 – 24 mm		
Peso (de acuerdo al equipo)	13 kg aprox.		
Longitud cordón eléctrico	4 metros		
Portabrocas	Portabrocas tipo retiro rápido DD-BI		
Regulador electrónico de velocidad en vacío			
Regulador de corriente de sobrecargas			
Luz indicadora de sobrecargas			
Regulador embutido para corriente de arranque			
Protección térmica del motor			
Embrague mecánico deslizante			
Protección clase 1 (requiere fuentes eléctricas de conexión a tierra)			
Supresión de interferencia a radio y TV de acuerdo con EN 55014			
Reacción en fuentes eléctricas de acuerdo con EN 60555, parte 2			
Aprobado por IEC 1029			

El ruido producido por éste equipo ha sido medido de acuerdo con IEC 59 CO 11, IEC 704, DIN 45635, parte 21, NFS 31-031 (84/537/EWG) Bajo ciertas condiciones, el nivel de ruido puede exceder 85 db (A), en éste caso, el operador tiene que usar protectores adecuados para oídos.

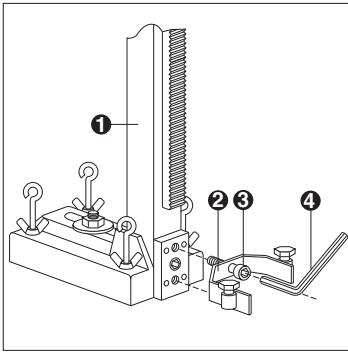
Este producto está contenido en la lista UL y tiene la certificación CSA.





## 5. Montaje de los componentes del sistema

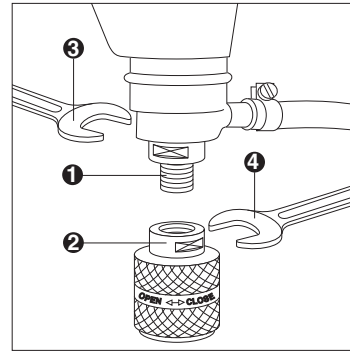
### 5.1 Montaje del soporte colector de agua al conjunto de soporte del equipo



1. Conjunto de soporte
2. Soporte
3. Tornillo
4. Llave

Posición superior para ser usada sin la placa base de vacío  
Posición inferior para ser usada con la placa base de vacío

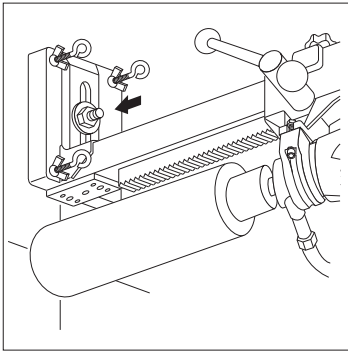
### 5.2 Reemplazo del portabrocas



1. Eje de transmisión
2. Portabrocas
3. Llave abierta AF de 21 mm
4. Llave abierta AF de 30 mm

## 6. Selección del método de sujetar la unidad

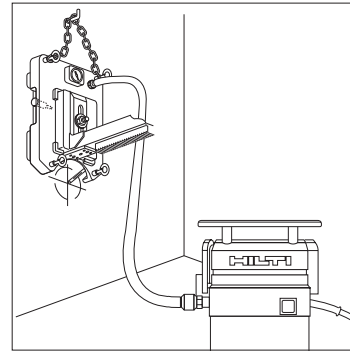
### 6.1 Fijación mediante anclaje



- Método seguro de fijación para alto desempeño
- Método versátil (adecuado para pared, cielorraso y piso)
- También puede ser usado en superficies disperejas o ásperas

**Cuidado:** El sistema de perforación con diamante no debe ser operado antes de sujetar la placa base!

### 6.2 Fijación de la unidad usando la placa base de vacío



- Método rápido de fijación
- No hay necesidad de perforar agujeros de anclaje

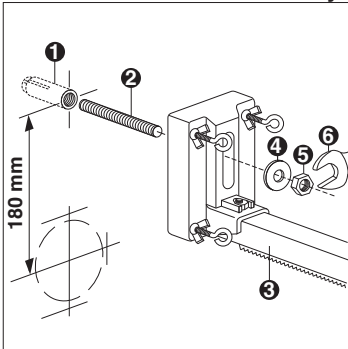
**Cuidado:** Para usos en paredes debe sujetarse además con cadenas, cuerdas, abrazaderas o soportes para resistir una carga de al menos 300 kg.

No se permite el uso de la placa de vacío en trabajos de cielorrasos.

El sistema de perforación con diamante no debe ser operado antes de sujetar la placa base!

## 7. Preparación del sistema de perforación con diamante para su uso

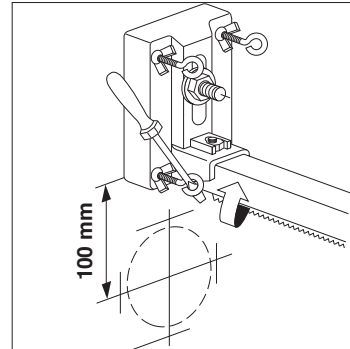
### 7.1 Soporte del conjunto de soporte del equipo de perforación con diamante usando una barra roscada y un anclaje



1. Anclaje (sobre concreto) con hilos HDI 1/2"
2. Barra roscada
3. Conjunto de Soporte
4. Arandela
5. Tuerca del eje de amarre
6. Llave de tuerca, AF de 19 mm

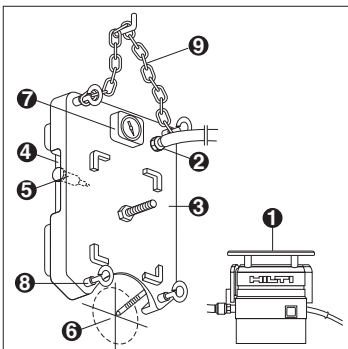
El conjunto de soporte del equipo de perforación con diamante es más estable cuando el anclaje está posicionado al frente de la ranura del anclaje (lo más cercano a la columna). Distancia máxima recomendada desde el anclaje hasta el centro del agujero - 180 mm.

### 7.2 Soporte del conjunto de soporte del equipo de perforación con diamante usando un anclaje y una barra roscada (continuación)



- Después de apretar la tuerca del eje de amarre, apriete los tornillos nivelantes (en secuencia diagonal) hasta que la placa base esté rígidamente asentada y muy segura.
- Distancia desde la placa base al centro de la perforación - 100 mm.

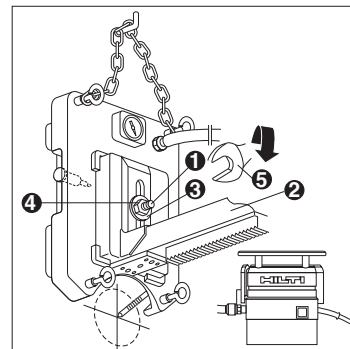
### 7.3 Soporte de la placa base de vacío



1. Bomba de vacío
2. Conexión de vacío
3. Placa base de vacío
4. Manija
5. Válvula de alivio
6. Indicador del centro del agujero
7. El indicador de vacío debe permanecer dentro de la área verde
8. Tornillos nivelantes
9. Cadena de seguro, cuerda, amarre o soporte (ver también la sección 6.2)

Antes de posicionar la placa base, destornille suficientemente los tornillos nivelantes y verifique si el sello está dañado.

### 7.4 Soporte del conjunto de soporte del equipo de perforación con diamante a la placa base de vacío

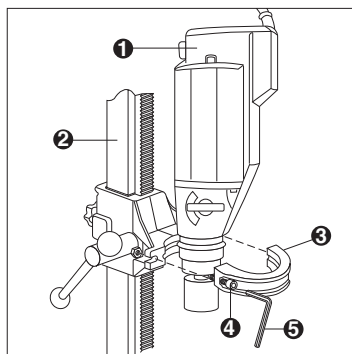


1. Eje de amarre
2. Conjunto de Soporte
3. Arandela
4. Tuerca del eje de amarre
5. Llave de tuerca AF, de 19 mm

El sistema de perforación con diamante no estará asentado en forma firme hasta cuando se aplique el vacío a la placa base.

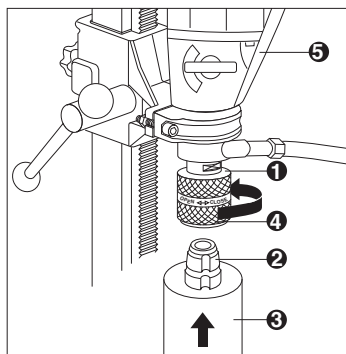
Después de aplicar el vacío, apriete los tornillos de nivelantes a mano lo más posible, siguiendo una secuencia diagonal.

### 7.5 Montaje del motor sobre el conjunto de soporte del equipo de perforación con diamante



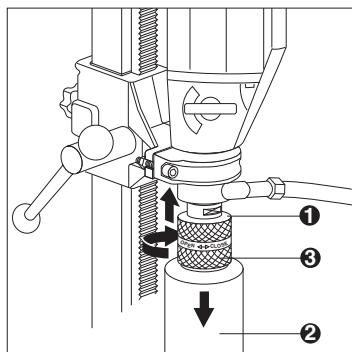
1. Motor
2. Conjunto de Soporte
3. Barra de abrazadera
4. Tornillo de la abrazadera
5. Llave

### 7.6 Colocación de una broca de diamante



1. Mandril
2. Extremo de conexión
3. Herramienta
4. Manguito de fijación
5. Grupo motor

### 7.7 Aflojamiento de una broca de diamante



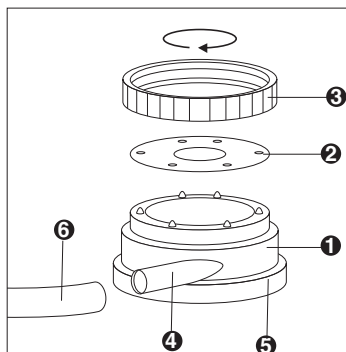
1. Mandril
2. Barrena
3. Manguito de fijación

Sujete la corona antes de desacoplar el manguito de fijación.

Cuando haya quedado suelta la corona asegúrese de que el núcleo no se caiga accidentalmente fuera de corona.

Al taladrar sobre la cabeza, cierre la válvula de acometida de agua y vacíe la corona a través del tubo de alimentación de agua antes de soltarlo del mandril (ver Sección 3.4).

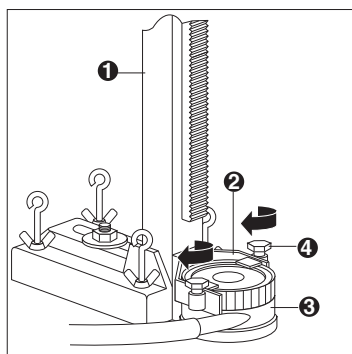
### 7.8 Inserción de un disco sellante en el colector de agua



1. Colector de agua
2. Disco sellante (escoja el diámetro correcto)
3. Anillo de abrazadera
4. Conexión de manguera
5. Anillo sellante
6. Manguera de remoción de agua

Para operar el equipo de perforación con diamante por encima, se debe usar siempre un sistema de remoción de agua y un disco sellante nuevo.

### 7.9 Colocación del colector de agua

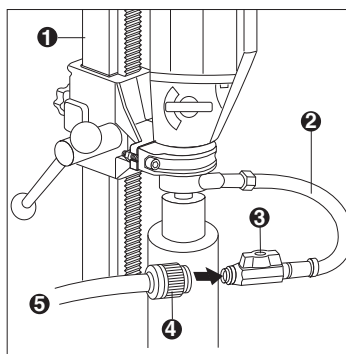


1. Conjunto de Soporte
2. Soporte del colector de agua
3. Colector de agua
4. Tornillos de presión

Apriete en forma pareja los tornillos de presión.

Para operar el equipo de perforación con diamante por encima, es obligatorio el uso del colector de agua, éste también es recomendado para todas las demás posiciones de operación de perforación con diamante.

### 7.10 Conexión del suministro de agua

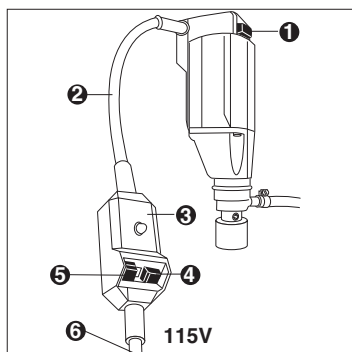


1. Conjunto de Soporte
2. Manguera de agua
3. Válvula de agua
4. Conexión de manguera
5. Suministro exterior de agua

La presión del suministro de agua no debe exceder las 145 libras.

### 7.11 Conexión de energía eléctrica (motor de 115 V)

(Se requiere un receptáculo con conexión a tierra, con un fusible de tamaño 15 A)



1. Interruptor del motor, Enciende/Apaga
2. Cordón eléctrico
3. Interruptor de circuito por falla de tierra («GFI»)
4. Botón de prueba del GFI
5. Interruptor «Prende» del GFI
6. Enchufe principal, específico para el país

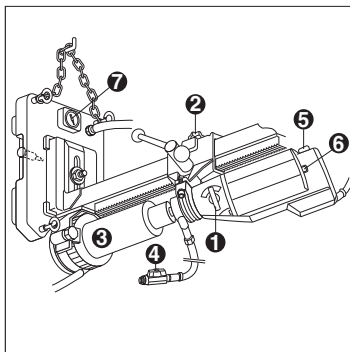
El DD-80 E viene equipado con un GFI incluido en el cordón eléctrico. Se debe operar el GFI de acuerdo a las siguientes instrucciones.

1. Enchufe el GFI a un receptáculo de conexión a tierra de 120 VAC.
2. Presione el botón «Test». La luz de Falla («Fault light») debe prenderse.
3. Presione el botón «Reset». La luz de Falla («Fault light») debe apagarse.
4. No use el DD-80 E si el GFI falla ésta prueba. Devuélvalo a Hilti para servicio.

Después de cada falla o interrupción de la alimentación principal de energía eléctrica, apague el motor antes de reajustar («reset») el interruptor GFI.

## 8. Operación

### 8.1 Operación



1. Seleccione la velocidad apropiada para el diámetro de la broca. (Cambie la velocidad sólo cuando se ha detenido la rotación).
2. Suelte el aparato de cierre del carro guía.
3. Conduzca la broca de diamante dentro del colector de agua.
4. Abra la válvula de suministro de agua.
5. Prenda el motor.

Preste atención a la luz indicadora de sobrecargas (6) y al indicador de vacío (7) mientras esté operando el equipo de perforación con diamante.

### 8.2 Consejos prácticos

- Para evitar vibraciones reduzca la presión de avance y apriete el sistema de anclaje ligeramente cuando inicie perforaciones.
- Si hace contacto con refuerzos de acero, seleccione una velocidad menor de operación del equipo de perforación con diamante y reduzca el flujo de agua.
- (Obtenga permiso del administrador de campo o de un ingeniero antes de cortar un refuerzo de acero).
- Los segmentos de diamante pueden empezar a pulirse (reducción del desempeño de corte) si la presión de avance en la broca es demasiada baja.
- Un flujo inadecuado de agua causará un recalentamiento en la broca de diamante, lo que producirá daños irreversibles.
- Si se enciende la luz de sobrecargas, reduzca la presión de avance en la broca.
- Tasas de flujo de agua diám. de 8 – 47 mm max. 1 – 1,5 l/min. diám. de 52 – 82 mm max. 3 l/min.

## 9. Mantenimiento

9.1 Para obtener una operación sin problemas, se deben observar los siguientes puntos:

### 1 Motor

- Mantenga el portabrocas limpio y bien lubricado.
- Mantenga las ranuras de ventilación del cuerpo del motor limpias de suciedad y polvo.
- Inspeccione con frecuencia el sistema por si hubiera fugas de agua.

### 2 Conjunto de Soporte

- Mantenga limpias la columna y la columna de guía.

### 3 Placa base de vacío

- Con la excepción de los sellos, las bases no requieren mantenimiento.

### 9.2 Partes de desgaste

- El sello de repuesto para la placa base de vacío, DD-VH2
- El disco sellante para el colector de agua DD-WC-S
- El anillo sellante para el colector de agua DD-WC-S

En caso de problemás técnicos, por favor comuníquese con el departamento de servicio de Hilti.

## 10. Reciclaje



Recycler les déchets

Las herramientas Hilti están fabricadas en su mayor parte con materiales reutilizables. La condición para dicha reutilización es una separación de materiales adecuada. En muchos países, Hilti ya está organizada para recoger su vieja herramienta y proceder a su recuperación. Póngase en contacto con el servicio de atención al cliente de Hilti o con su asesor de ventas.

### Eliminación del lodo de perforación

Desde del punto de vista medioambiental, el vertido de lodo de perforación en el agua o en las canalizaciones es

problemático si no se lleva a cabo el debido tratamiento previo. Infórmese a través de las autoridades locales acerca de las prescripciones pertinentes.

### Recomendamos el siguiente tratamiento previo:

Recoja el lodo de perforación (p. ej. con un aspirador de agua)

Deje que el lodo de perforación se deposite y deseche la parte sólida en un vertedero de escombros. (agentes de floculación puede acelerar el proceso de separación)

Antes de verter el agua restante (alcalina, valor pH > 7) en las canalizaciones, neutralícela añadiéndole un producto neutralizante ácido o dilúyala con mucha agua.

## 11. Garantía

Hilti garantiza la herramienta suministrada contra todo fallo de material o fabricación. Esta garantía se otorga a condición de que la herramienta sea utilizada, manejada, limpiada y revisada en conformidad con el manual de instrucciones de Hilti, de que todas las reclamaciones relacionadas con la garantía sean dirigidas durante los primeros 12 meses (siempre que las prescripciones nacionales vigentes no estipulen una duración mínima superior) posteriores a la fecha de venta (fecha de la factura) y de que el sistema técnico sea salvaguardado, es decir, que se utilicen en la herramienta exclusivamente consumibles, accesorios y piezas de recambio originales de Hilti.

Este garantía abarca la reparación gratuita o la sustitución sin cargo de las piezas defectuosas. La garantía no cubre las piezas sometidas a un desgaste normal.

**Quedan excluidas otras condiciones que no sean las expuestas, siempre que esta condición no sea contraria a**

**las prescripciones nacionales vigentes. Hilti no acepta la responsabilidad especialmente en relación con deterioros, pérdidas o gastos directos, indirectos, accidentales o consecutivos, en relación con la utilización – o a causa de la imposibilidad de utilización – de la herramienta para cualquiera de sus finalidades. Quedan excluidas en particular todas las garantías tácitas relacionadas con la utilización y la idoneidad para una finalidad precisa.**

Para toda reparación o recambio, les rogamos que envíen la herramienta y/o las piezas en cuestión a la dirección de su organización de venta Hilti más cercana inmediatamente después de la constatación del defecto

Estas son las únicas obligaciones de Hilti en materia de garantía, las cuales anulan toda declaración anterior o contemporánea, del mismo modo que todos los acuerdos orales o escritos en relación con las garantías.



Sólo para países de la Unión Europea

¡No deseche los aparatos eléctricos junto con los residuos domésticos! De conformidad con la Directiva Europea 2002/96/CE sobre residuos de aparatos eléctricos y electrónicos y su aplicación de acuerdo con la legislación nacional, las herramientas eléctricas cuya vida útil haya llegado a su fin se deberán recoger por separado y trasladar a una planta de reciclaje que cumpla con las exigencias ecológicas.

# Medidas de segurança para ferramentas com ligação à terra

## Ler todas as instruções

**Atenção!** As medidas de segurança fundamentais apresentadas seguidamente devem ser cumpridas sempre que forem utilizadas ferramentas/máquinas, como medida de protecção contra choques eléctricos, danos físicos e perigo de fogo. Por favor, leia e tome nota destas medidas, antes de utilizar a ferramenta/máquina. Por favor, leia e mantenha estas medidas de segurança num local seguro!

- 1. Mantenha a Área de Trabalho Limpa.** As áreas e bancadas de trabalho desarrumadas são propícias a danos físicos.
- 2. Tenha em Conta o Ambiente da Área de Trabalho.** Não deixe ferramentas eléctricas à chuva. Não utilize ferramentas eléctricas em locais húmidos ou molhados. Mantenha a área de trabalho limpa. Não utilize ferramentas na presença de líquidos ou gases inflamáveis.
- 3. Protecções Contra Choques Eléctricos.** Evite o contacto do corpo com aparelhos com ligação à terra. Por exemplo: aquecedores, fogões ou câmaras frigoríficas.
- 4. Mantenha as Crianças Afastadas.** Não permita que os visitantes mexam nas ferramentas ou nos cabos. Todos os visitantes devem permanecer longe da área de trabalho.
- 5. Guarde as Ferramentas que Não Estão a ser Utilizadas.** Quando não estão a ser utilizadas, as ferramentas devem ser guardadas em local seco e elevado ou fechadas – fora do alcance das crianças.
- 6. Não Force as Ferramentas.** Executará o trabalho melhor e com maior segurança, se as ferramentas forem utilizadas da forma para que foram concebidas.
- Utilize as Ferramentas Adequadas.** Não force uma ferramenta pequena ou um acessório para executar uma tarefa de ferramenta pesada. Não utilize as ferramentas para fins para os quais não foram concebidas – por exemplo – não utilize uma serra circular para cortar pedras ou troncos de árvore.
- 8. Use Vestuário Adequado.** Não use vestuário largo ou jóias, pois podem ficar presos em partes móveis. Recomenda-se o uso de luvas de borracha e de calçado com sola anti-derrapante, para o trabalho ao ar livre. Use uma protecção para apanhar o cabelo comprido.
- 9. Use Óculos Protectores.** Use também máscara de protecção facial ou contra poeira, se a operação de corte provocar pó.
- 10. Não Utilize o Cabo de Forma Errada.** Nunca transporte a ferramenta segurando pelo cabo, nem o puxe para desligá-lo da tomada. Mantenha o cabo longe de calor, óleo e arestas cortantes.
- 11. Mantenha o Material Fixo.** Utilize uma prensa ou um torno para manter os objectos fixos. É um método mais seguro do que utilizar uma mão e liberta as duas mãos para manipular a ferramenta.
- 12. Não Se Estique para Procurar Algo / Mantenha Total Equilíbrio.** Mantenha sempre a posição corporal correcta e o equilíbrio.
- 13. Faça uma Manutenção Cuidada das Ferramentas.** Mantenha as ferramentas afinadas e limpas para um funcionamento melhor e mais seguro. Siga as instruções para a lubrificação e para a mudança de acessórios. Verifique periodicamente os cabos e, se

estiverem danificados, mande-os reparar num técnico especializado. Verifique periodicamente os cabos de extensão e substitua-os, se estiverem danificados. Mantenha os cabos das ferramentas secos e limpos de óleo e gorduras.

- 14. Mantenha as Ferramentas Desligadas.** Quando não estão a ser utilizadas, antes de começarem a ser utilizadas ou quando estiver a mudar os acessórios, tais como: lâminas, brocas, fresas.
- 15. Retire as Chaves de Aperto.** Tenha o hábito de verificar se retirou as chaves de aperto da ferramenta antes de a ligar.
- 16. Evite Ligar a Máquina de Forma Involuntária.** Não transporte a ferramenta com o dedo no botão. Verifique se o botão está desligado, quando liga a ficha à corrente.
- 16A. Cabos de Extensão.** Certifique-se que o cabo de extensão está em boas condições. Quando utilizar uma extensão, certifique-se que utiliza um calibre suficiente para fornecer a energia de que a ferramenta irá precisar. A utilização de uma extensão de menor calibre irá provocar a diminuição da tensão, resultando em perda de potência e sobreaquecimento. O quadro seguinte mostra o tip de cabo correcto a utilizar, dependendo do comprimento do cabo e da potência de amperagem necessária constante na placa do fabricante. Em caso de dúvida, utilize um cabo com maior calibre. Quanto menor for o número do calibre, mais pesado será o cabo.

Tabela de Cabos de Extensão

Voltagem	Comprimento Total do Cabo em Pés			
120 V	0-25	26- 50	51-100	101-150
240 V	0-50	51-100	101-200	201-300

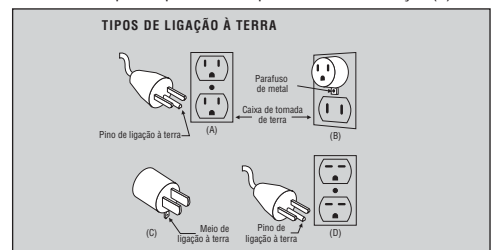
Potência de Amperagem

Superior a		Não superior a			
Potência	AWG	18	16	14	12
0	6	18	16	14	12
6	10	18	16	14	12
10	12	16	14	12	
12	16	14	12		Não recomendado

- 17. Utilização de Cabos de Extensão ao Ar Livre.** Quando as ferramentas forem usadas ao ar livre, utilize apenas extensões próprias para o efeito, devidamente assinaladas.
- 18. Mantenha-se Alerta.** Preste atenção ao que está a fazer. Tenha bom senso. Não manuseie ferramentas quando está cansado.
- 19. Verifique Peças Danificadas.** Antes de voltar a utilizar uma determinada ferramenta, deve verificar cuidadosamente se alguma protecção ou qualquer outra peça se encontram danificadas, de modo a determinar se funcionará de forma adequada e executará a sua função. Verifique o alinhamento e as ligações dos elementos móveis, a existência de falhas nas peças ou outras condições que possam afectar o funcionamento do aparelho. Uma protecção ou qualquer outra peça que esteja danificada deverá ser reparada adequadamente ou substituída por um técnico especializado, a não ser que este manual de instruções indique outro procedimento. Troque os interruptores defeituosos num fornecedor autorizado. Não utilize a ferramenta se o interruptor não a consegue ligar ou desligar.
- 20. Utilize apenas acessórios e ligações indicados no manual de instruções ou no catálogo respectivo.** A utilização de acessórios, ligações ou ferramentas acopladas que não sejam as indicadas pelo

manual de instruções pode provocar danos físicos.

- 21. Certifique-se que as reparações necessárias são feitas por especialistas em electricidade.** Esta ferramenta/máquina eléctrica foi fabricada segundo os respectivos regulamentos de segurança. As reparações devem ser executadas apenas por um especialista em electricidade, caso contrário haverá perigo de acidente para o operador.
- 22. Use protectores de ouvidos** quando utilizar a ferramenta durante longos períodos.
- 23. Utilize apenas o cabo lateral de apoio** fornecido e mantenha-o firmemente apertado; manuseie a ferramenta com as duas mãos, durante a operação. Mantenha sempre a posição corporal correcta e o equilíbrio e nunca se estique para procurar algo. É necessário ter um controlo firme da ferramenta, para o caso de esta resvalar.
- 24. Segure a Ferramenta pelo(s) Cabo(s) Fornecidos.** Não toque nas partes não isoladas da ferramenta quando estiver a perfurar. As superfícies metálicas expostas podem ficar electricamente carregadas, se a ferramenta atingir fios eléctricos.
- 25. Instruções para Ligação à Terra.** Esta ferramenta deve estar ligada à terra enquanto estiver a ser utilizada, por forma a impedir que o operador sofra um choque eléctrico. A ferramenta está equipada com um cabo de três condutores e uma ficha de ligação à terra com três pinos que se adapta à tomada de terra apropriada. O condutor verde (ou amarelo) do cabo é o fio de terra. Nunca ligue o condutor verde (ou amarelo e verde) a um terminal alimentado. Se o seu aparelho for utilizado numa tensão com menos de 150 V, tem uma ficha semelhante à apresentada na ilustração (A) da Figura «Métodos para Ligação à Terra». Se for utilizado numa tensão entre 150 e 250 V, tem uma ficha semelhante à apresentada na ilustração (D). Existe um adaptador, ver ilustrações (B) e (C), próprio para ligar as fichas apresentadas na ilustração (A) a uma tomada de dois pinos. O terminal de orelha rígido de cor verde do adaptador ou qualquer outro elemento semelhante deve ser ligado a terra permanente, como, por exemplo, uma tomada devidamente ligada à terra. Não existe adaptador para a ficha apresentada na ilustração (D).



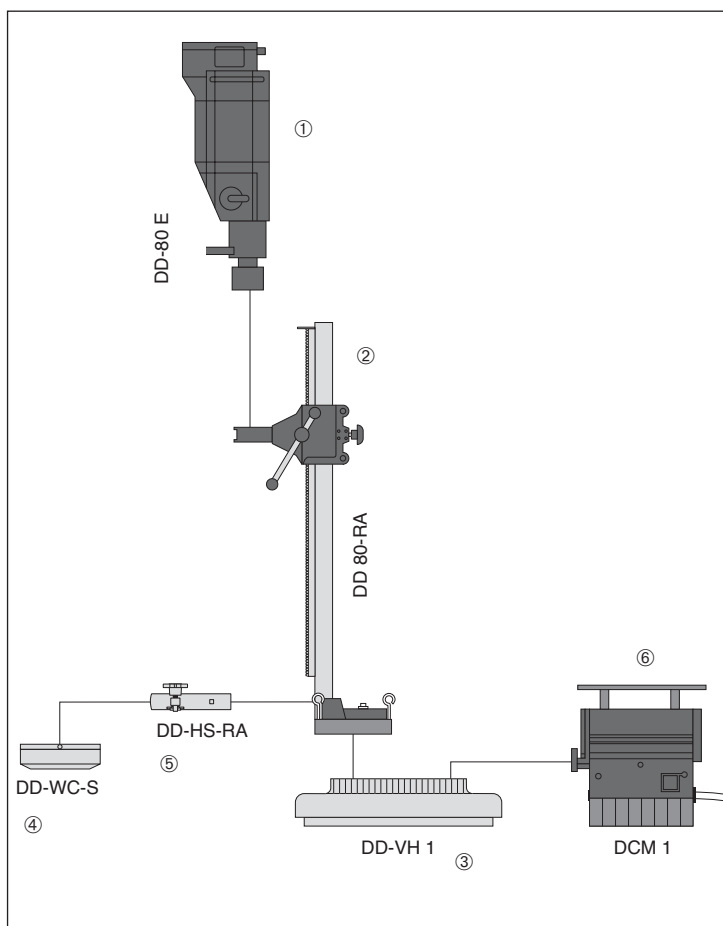
- 26. Cabos de Extensão.** Utilize apenas cabos de extensão de três fios com fichas de ligação à terra com três pinos e tomadas tripolares compatíveis com a ficha do aparelho. Troque ou mande reparar os cabos danificados.

Guarde estas instruções.

## Índice

Índice	Página
1. Sistema de perfuração com coroa diamantada DD-80 E/RA	20
2. Máquina de perfuração com coroa diamantada DD-80 E/RA	21
3. Segurança	21
4. Dados técnicos	22
5. Montagem dos componentes do sistema	22
6. Selecção do método de fixação unidade de perfuração	22
7. Preparação do sistema de perfuração para utilização	23
8. Operação do sistema	24
9. Manutenção	24
10. Garantia	24

## 1. Sistema de perfuração com coroa diamantada DD-80 E/RA

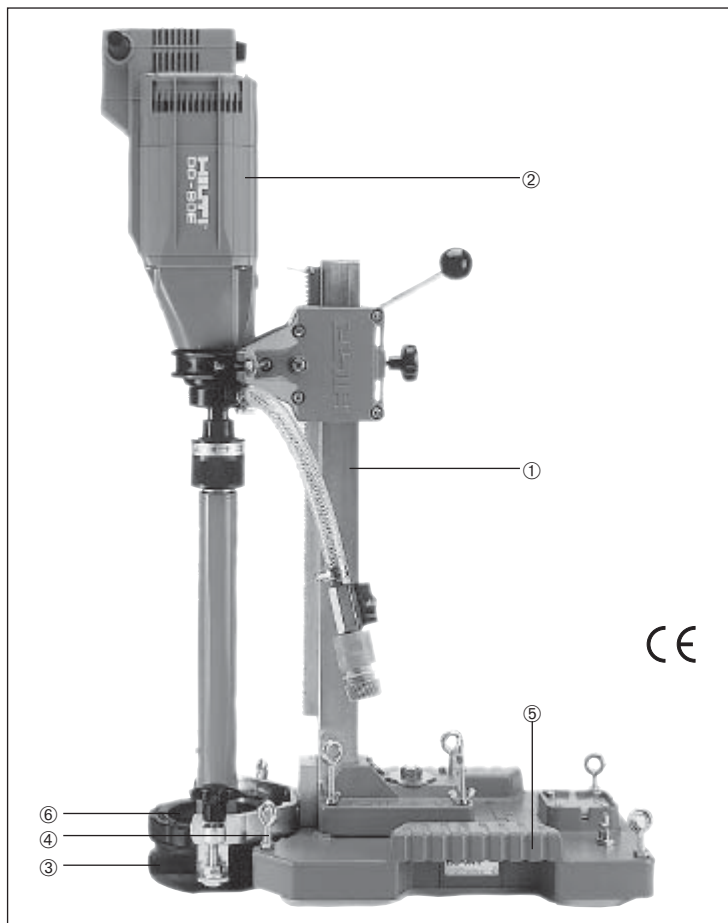


1. Unidade do motor DD-80 E
2. Posição de perfuração do DD-80-RA/DD 100-RA
3. Placa base de vácuo DD-VH1
4. Colector de água DD-WC-S
5. Suporte DD-HS-RA
6. Bomba de vácuo



Usar sempre protetores sonoros  
Usar sempre luvas de protecção  
Usar sempre óculos de protecção

## 2. Máquina de perfuração com coroa diamantada DD-80 E/RA



### 1. Coluna do perfurador

- 1.1 Batente
- 1.2 Dispositivo de trava da alimentação
- 1.3 Chave de caixa hexagonal
- 1.4 Carro
- 1.5 Parafusos niveladores
- 1.6 Alavanca de alimentação ou roda a mão

### 2. Motor

- 2.1 Interruptor liga/desliga
- 2.2 Interruptor de mudança da velocidade
- 2.3 Mandril
- 2.4 Cabo eléctrico
- 2.5 Ligação da água
- 2.6 Válvula de regulação da água

### 3. Colector de água

- 3.1 Disco de vedação

### 4. Suporte do colector de água

- 4.1 Parafusos ajustadores da pressão

### 5. Placa base a vácuo

CE

## 3. Segurança

### 3.1 Precauções de segurança na obra

Antes de iniciar o trabalho com a máquina, ler cuidadosamente as instruções de operação e assegurar-se que as precauções indicadas abaixo são observadas. É favor notar que a permissão para iniciar o trabalho de perfuração, deve ser obtida do encarregado da obra ou de outra pessoa autorizada.

- Assegurar-se que no sítio onde os furos vão ser feitos não existem cabos eléctricos, canos de gás ou de água, etc.

- Cabos, canos ou outras linhas de fornecimento situadas na proximidade do local onde vão ser efectuados os furos, devem ser desligados.
- O trabalho de perfuração não deve ter um efeito negativo no design estrutural do edifício (perfuração através de reforço a aço).
- Isolamento das áreas onde o trabalho de perfuração vai ser efectuado, particularmente por detrás das paredes ou nos pisos inferiores onde vão ser efectuados os furos de atravessamento.

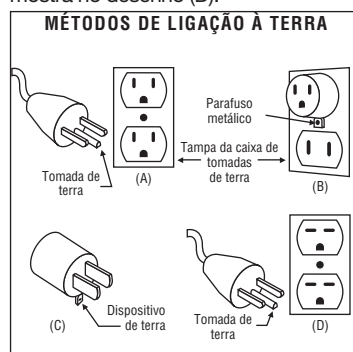
- Para a perfuração nos tectos, o colector de água deve estar em boa condição e a funcionar correctamente.
- O sistema de perfuração só deverá ser utilizado se estiver ligado com o interruptor terra CCR.
- De modo a manter a segurança e a operação livre de problemas, o sistema de perfuração deve ser mantido limpo (não limpar com jac-to de água).

- O trabalho de perfuração só deverá ser efectuado por pessoal treinado e especializado que tenha recebido instruções sobre a utilização do equipamento.
- Ao trabalhar com a placa base de vácuo nas paredes e nos tectos, deve ser empregue um método adicional de fixação da máquina (ver secção 7.3).
- Se ocorrer um vazamento no sistema de fornecimento de água, o equipamento deve ser reparado.
- Não toque nas partes rotativas.

### 3.2a Instruções de ligação à terra

Esta ferramenta deve ser ligada à terra durante o seu funcionamento a fim de proteger o utilizador de um possível choque eléctrico. A ferramenta é equipada com um fio de 3 condutores e uma ficha de 3 parafusos com terra que deve ser ligada à tomada com terra adequada. O condutor verde (ou verde e amarelo) no fio é o de ligação à terra. Nunca ligue o fio verde (ou verde e amarelo) a um terminal com corrente. Se a sua unidade for para ser usada com menos de 150 V, tem uma ficha que se parece àquela que se mostra no desenho (A) da figura 1. Se for para ser usada com 150 a 250 V, tem uma ficha igual àquela que se mostra no desenho (D). Existe um adaptador [ver figuras (B) e (C)] para fazer a conexão entre as fichas do tipo (A) e as tomadas de 2 pinos. O pino ou borne de cor verde que sai do adaptador deve ter uma ligação à terra

permanente, como por exemplo através de uma caixa de tomadas com terra. Não existe nenhum adaptador disponível para o tipo de ficha que se mostra no desenho (D).



### 3.2b Extensões

Use apenas extensões de 3 fios que tenham fichas de 3 parafusos com terra e receptáculos de 3 pólos que aceitem a ficha da ferramenta. Substitua ou repare as extensões danificadas.

### 3.3 Protectores de sobrecarga

As máquinas de perfuração diamantada Hilti estão equipadas com protectores mecânicos, electrónicos, térmicos, e sobrecarga óptica.

#### Embragem:

Este dispositivo protege o operador, o motor e a broca coroa no caso de saltar subitamente.

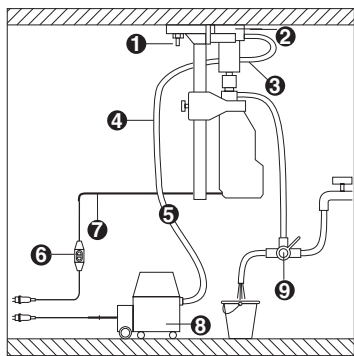
#### Protecção electrónica:

No caso de sobrecarga causada pela pressão de perfuração excessiva, a corrente do motor é automaticamente reduzida, de modo que a broca coroa rode lentamente. Ao reduzir a pressão, a corrente (energia) volta ao normal (aumenta) e o motor continua a trabalhar à sua velocidade normal.

**Protecção contra o sobreaquecimento:**  
O motor está protegido contra o sobreaquecimento através de um sensor que reduz automaticamente o fornecimento de energia no caso de sobrecarga e em temperaturas elevadas. A máquina só volta a trabalhar normalmente depois da temperatura do motor ter baixado para um nível satisfatório. Os enrolamentos do motor podem ser arrefecidos mais rapidamente permitindo que a máquina trabalhe sem carga.

**Indicador de sobrecarga:**  
O indicador de sobrecarga acende quando o motor está a trabalhar à máxima carga. Recomenda-se que a máquina seja utilizada de forma a que o indicador de sobrecarga não esteja sempre a acender, por exemplo, reduzindo a pressão de perfuração.

### 3.4 Instruções e precauções durante a perfuração nos tectos



3. Parafuso de aperto do tubo de libertação de pressão.
4. Mangueira/tubo de remoção de água.
5. Adaptador para aspirador de água.
6. Interruptor terra PRCD (parte integral do cabo eléctrico).
7. Cabo eléctrico com condutor fio terra.
8. Aspirador para a remoção de água e materiais húmidos.
9. Ligação de água com 3 vias.
10. Detentor do perfil.

Fechar a válvula de fornecimento de água e retirar a água da broca antes de a remover do colectores de água.

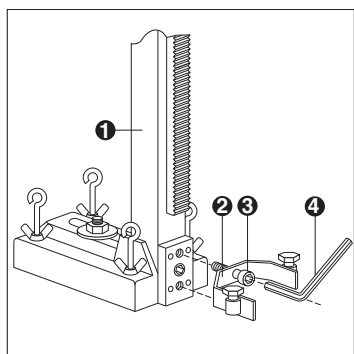
**Nota:** A duração dos discos vedantes pode ser estendida aplicando um pouco de óleo (por ex: massa dos rolamentos) ou spray lubrificante Hilti.

Ao perfurar nos tectos, o seguinte material deve ser usado, por razões de segurança:

1. Fixação da coluna contra o tecto usando uma bucha HDI 1/2".
2. Colector de água completo com um disco vedante apropriado.

## 5. Montagem dos componentes do sistema

### 5.1 Montagem do suporte do colectores de água à coluna

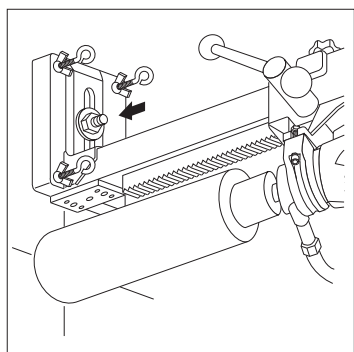


1. Coluna
2. Suporte
3. Parafuso
4. Chave

Posição superior para utilização sem placa base de vácuo.  
Posição inferior para utilização com placa base de vácuo.

## 6. Selecção do método de fixação da unidade de perfuração

### 6.1 Fixação por meio de bucha



- Método de fixação para elevada performance de perfuração
- Método versátil (adequado para parede, tecto e pavimento)
- Também pode ser usado em superfícies irregulares e desiguais

**Atenção:** O sistema de perfuração não deve ser montado ou posto a trabalhar antes de fixar a placa base.

## 4. Dados técnicos

Potência Nominal/Voltagem	115 V	230 V
Corrente absorvida	15 A	8 A
Potência absorvida	1600 W	1700 W
Frequência	50/60 Hz	
Gama dos diâmetros das brocas coroa	8-42 mm (82)	
Rotações em vazio:	Rotação/Gama dos diâmetros das brocas coroa:	
1ª velocidade: 1084 r.p.m.	1ª velocidade: 37-82 mm (1 1/2"-3 1/4")	
2ª velocidade: 2200 r.p.m.	2ª velocidade: 18-40 mm (3/8"-1 1/2")	
3ª velocidade: 3570 r.p.m.	3ª velocidade: 8-24 mm (5/8"-1")	
Peso (dependendo do material)	aprox. 13 kg	
Comprimento do cabo eléctrico	4 metros	
Mandril	Mandril de aperto rápido DD-BI	
Regulador electrónico de velocidade em vazio		
Regulador de sobrecarga de corrente		
Regulador óptico de sobrecarga		
Regulador incorporado de corrente de arranque		
Regulador térmico do motor		
Embraiagem mecânica		
Protecção classe 1 com design interno classe 2		
Interruptor de falha eléctrica	6 mA	30 mA
Disjuntor à tensão 0		
Aprovado de acordo com IEC 1029 e EN 61029		

## Ruído e vibração

Caracteristicamente os níveis de ruído A medidos da ferramenta são:

- nível de pressão do som: 89 dB (A)
- nível de potência do som: 102 dB (A)

Usar protecção para os ouvidos.

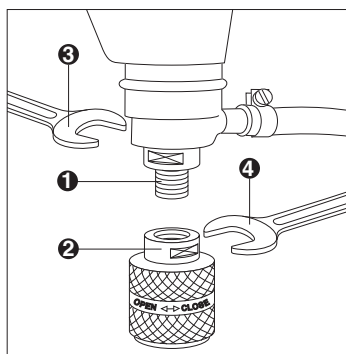
A vibração característica da mão e do braço é inferior a 2,5 m/s².

Queda reservado el derecho de introducir modificaciones técnicas.

Este Produto está Registrado UL e Certificado CSA

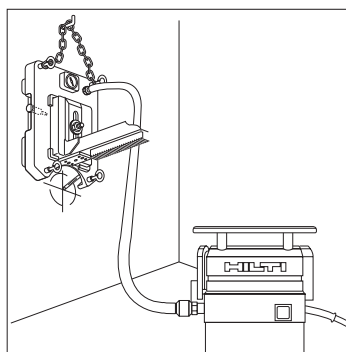


### 5.2 Mudança do mandril



1. Eixo de movimento/accionamento
2. Mandril
3. Chave inglesa 21 mm AF
4. Chave inglesa 30 mm AF

### 6.2 Fixação da unidade usando a placa base de vácuo



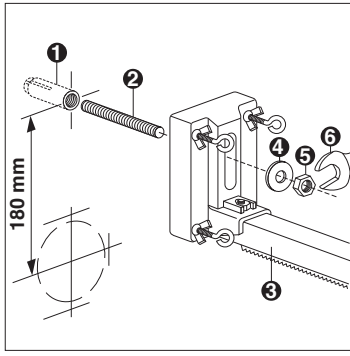
- Método de fixação rápido
- Não é necessário abrir furos para a colocação de buchas
- Deve ser usado um método adicional de fixar o aparelho (corrente, corda ou suporte) em aplicações na parede e tecto

A placa base por si só não é adequada a aplicações de perfuração no tecto.

**Atenção:** O sistema de perfuração não deve ser montado ou posto a trabalhar antes de fixar a placa base.

## 7. Preparação do sistema de perfuração para utilização

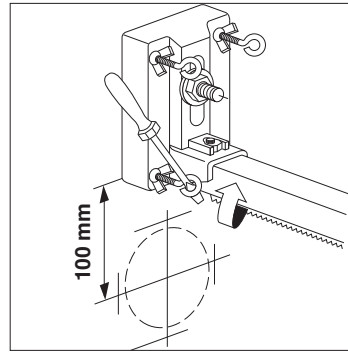
### 7.1 Fixação da coluna através do eixo de suporte e uma bucha



1. Bucha rosca internamente HDI 1/2" (no betão)
2. Eixo suporte
3. Coluna
4. Anilha
5. Porca do eixo de suporte
6. Chave inglesa 19 mm AF

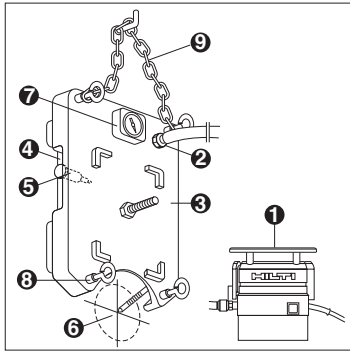
A haste é mais rígida quanto mais a bucha estiver posicionada na extremidade frontal da saliência da bucha (perto da coluna). Distância recomendada da bucha ao centro do furo – 180 mm

### 7.2 Fixação da haste usando uma bucha e um eixo de suporte (continuação)



- Apertar os parafusos niveladores (em sequência diagonal) até a placa base ficar rígida e segura.
- Distância da placa base ao centro do furo – 100 mm

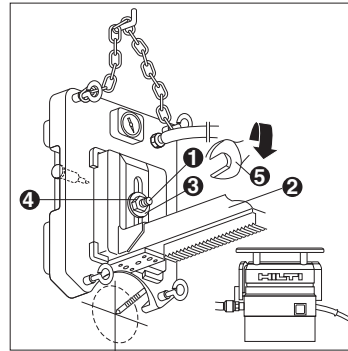
### 7.3 Fixação da placa base de vácuo



1. Bomba de vácuo
2. Ligação da bomba
3. Placa base de vácuo
4. Punho
5. Válvula de libertação
6. Indicador do centro do furo (área de trabalho = área verde)
7. Metro do vácuo
8. Parafusos niveladores
9. Corrente de fixação

Desaperte os parafusos niveladores o suficiente e verificar o vedante de possíveis danos, antes de posicionar a placa base.

### 7.4 Fixação da haste à placa base de vácuo

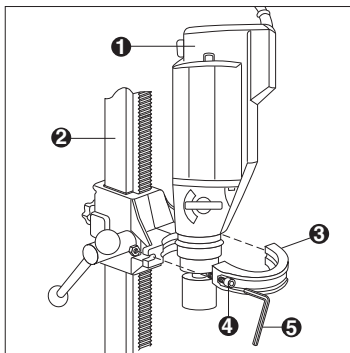


1. Eixo de suporte
2. Haste
3. Anilha
4. Porca do eixo de suporte
5. Chave inglesa de 19 mm AF

O sistema não se encontra seguro antes de se ter aplicado o vácuo.

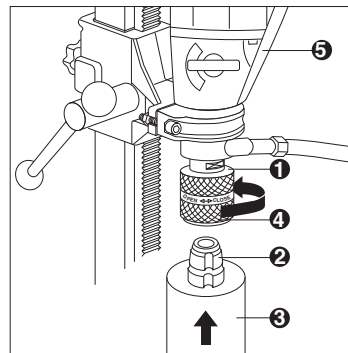
Após ter aplicado o vácuo, apertar o mais possível à mão os parafusos niveladores seguindo uma sequência diagonal.

### 7.5 Montagem da unidade do motor na haste



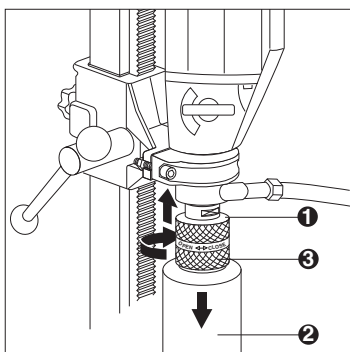
1. Unidade do motor
2. Haste
3. Barra de aperto
4. Parafuso de aperto
5. Chave

### 7.6 Colocação / Montagem de uma broca coroa



1. Mandril
2. Conexão (encabadouro)
3. Broca coroa
4. Manga de aperto
5. Unidade do motor

### 7.7 Desmontagem de uma broca coroa



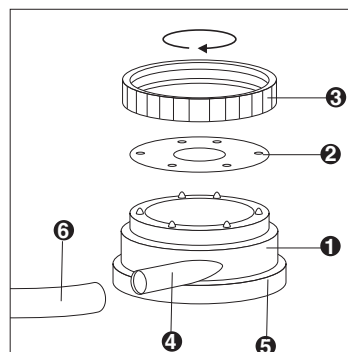
1. Mandril
2. Broca coroa
3. Manga de aperto

Segurar a broca coroa antes de desengatar o mandril.

Ao desapertar a broca coroa, assegurar-se que a carote não cai acidentalmente da broca.

Ao perfurar no tecto, fechar a válvula de fornecimento de água e drenar a broca coroa através da mangueira de fornecimento de água antes de a soltar do mandril (ver secção 3.4).

### 7.8 Colocação de um disco vedante no colectores de água

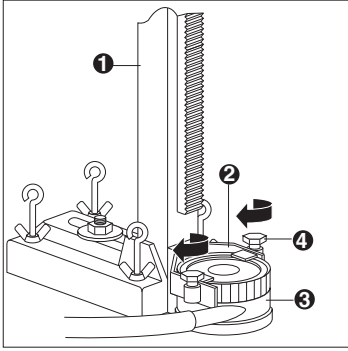


1. Colector de água
2. Disco vedante (seleccionar o diâmetro correcto)
3. Anel de aperto
4. Conexão da mangueira / tubo
5. Anel vedante
6. Mangueira / tubo de remoção de água

Durante a perfuração no tecto deve-se usar sempre um disco vedante em boas condições (novo) no sistema de remoção de água.

Poderá encontrar os discos vedantes com o diâmetro correcto no Centro Hilti local.

## 7.9 Montagem do colector de água

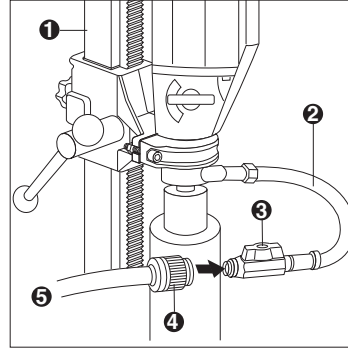


1. Haste
2. Suporte do colector de água
3. Colector de água
4. Parafusos de pressão

Apertar bem os parafusos de pressão.

A utilização do colector de água é obrigatório para a perfuração no tecto e é também recomendado para todas as outras posições de perfuração.

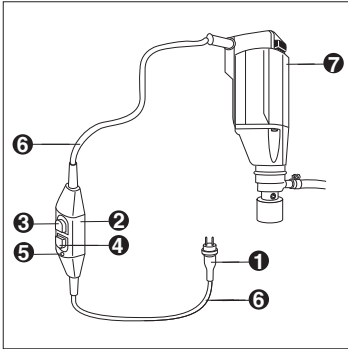
## 7.10 Ligação do fornecimento de água



1. Haste
2. Mangueira / tubo da água
3. Válvula da água
4. Conector da mangueira
5. Fornecimento da água

A pressão do fornecimento de água não deve exceder os 10 bar.

## 7.11 Ligação à energia eléctrica (unidade do motor 230 V)



1. Ficha - o tipo depende do país
2. Interruptor terra PRCD
3. Interruptor para o PRCD (ligado)
4. Botão teste (teste)
5. Indicador
6. Cabo eléctrico
7. Interruptor ligado/desligado da unidade do motor

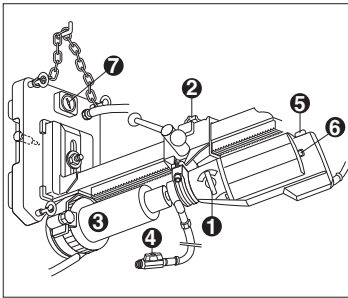
O interruptor PRCD deverá ser testado para um trabalho correcto antes de começar o trabalho.

1. Verificar se o motor está desligado.
2. Ligar a ficha na tomada.
3. Pressionar o botão ligado.  
A lâmpada deverá acender!
4. Pressionar o botão teste.  
A lâmpada deverá apagar-se!
5. Pressionar novamente o botão ligado antes de começar a trabalhar.

**No caso de um mau funcionamento (teste falhado) a unidade deverá ser examinada por um electricista especializado, antes de continuar a trabalhar!**

## 8. Operação

### 8.1 Operação



1. Seleccionar a velocidade correcta de perfuração (só mudar a velocidade quando a rotação estiver parada)
2. Soltar o dispositivo de aperto do cano.
3. Enfiar a broca coroa no colector de água
4. Abrir a válvula de fornecimento de água
5. Ligar o motor

Prestar atenção ao indicador de sobrecarga (6) e ao vácuo (7) enquanto perfura.

### 8.2 Precauções

- Reduzir a pressão e apertar levemente o dispositivo de bloqueio do carro ao iniciar a abertura de furos de modo a evitar a vibração.
- Se for encontrado reforço a betão, seleccionar uma velocidade de perfuração baixa e reduzir o fluxo de água (obter permissão do responsável da obra ou do engenheiro antes de cortar através do reforço em aço).
- Se a pressão de perfuração for muito baixa, os segmentos em diamante podem ficar polidos (reduzir a performance de corte).
- Fluxo de água inadequado provocará o sobreaquecimento da broca coroa, causando danos irreparáveis.

- Reduzir a pressão de perfuração se o indicador de sobrecarga acender.
- Fluxos de água  
8-47 mm máx. 1-1,5 l/min.  
52-82 mm máx. 3 l/min.

## 9. Manutenção

### 9.1 De modo a evitar problemas durante a operação, os seguintes pontos devem ser observados:

- 1 Unidade do motor**
  - Manter o mandril limpo e bem lubrificado.
  - Manter as aberturas de ventilação na carcaça do motor limpas de sujidades e pó.
  - Verificar regularmente o sistema de possíveis fugas de água.
- 2 Haste**
  - Manter a coluna / perfil-carril limpos.
- 3 Placa base de vácuo**
  - Com a excepção dos vedantes, a placa base de vácuo não necessita de manutenção.

### 9.2 Peças sujeitas a desgaste

- Substituição do vedante DD-VH2 para a placa base de vácuo.
- Disco vedante DD-WC-S para o colector de água.
- Anel vedante para o colector de água.

**Em caso de problemas técnicos, por favor contacte o departamento de serviço de clientes Hilti.**

## 10. Reciclagem



Recicle os desperdícios

As ferramentas Hilti são, em grande parte, fabricadas com materiais recicláveis. Um pré-requisito para a reciclagem é que esses materiais sejam devidamente separados. A Hilti já iniciou em vários países a recolha do seu aparelho usado para fins de reaproveitamento. Para mais informações dirija-se ao centro de vendas Hilti local ou ao vendedor.

### Reciclagem da lama resultante da perfuração

Em termos ambientais, não é permitido que a lama resultante da perfuração atinja os rios, lagos ou os sistemas de esgotos sem que haja um pré-tratamento. Consulte as normas locais no que se refere a este assunto.

### Recomendamos o seguinte pré-tratamento:

Recolha a lama resultante da perfuração (utilizando um aspirador de líquidos de uso industrial). Permita que a lama resultante da perfuração sedimente e recicle esses resíduos sólidos de forma apropriada. (A adição de um agente flocoso pode acelerar o processo de sedimentação). A água resultante dessa lama (alcalina, pH > 7) deve ser neutralizada adicionando-lhe um ácido neutralizador ou uma grande quantidade de água, antes que esta atinja o sistema de drenagem.



Apenas para países da UE

Não deite ferramentas eléctricas no lixo doméstico!

De acordo com a directiva europeia 2002/96/CE sobre ferramentas eléctricas e electrónicas usadas e a transposição para as leis nacionais, as ferramentas eléctricas usadas devem ser recolhidas em separado e encaminhadas a uma instalação de reciclagem dos materiais ecológica.

## 11. Garantia

A Hilti garante que a ferramenta fornecida está isenta de quaisquer defeitos de material ou de fabrico. Esta garantia é válida desde que a ferramenta seja utilizada e manuseada, conservada e limpa de acordo com o manual de instruções Hilti, desde que todas as reclamações referentes à garantia sejam feitas dentro de 12 meses (excepto se outros regulamentos nacionais obrigatórios prescreverem outro período mínimo) a contar da data de venda (data da factura), e desde que o sistema técnico seja mantido, isto é, sob reserva da utilização exclusiva na ferramenta de consumíveis, componentes e peças originais Hilti:

A garantia limita-se rigorosamente à reparação gratuita ou substituição das peças com defeito. A garantia não cobre peças sujeitas a um desgaste normal de uso.

**Estão excluídas desta garantia quaisquer outras situações susceptíveis de reclamação, salvo legislação nacional aplicável em contrário. Sob nenhuma circunstância será a Hilti responsável por danos directos, indirectos, accidentais ou consequências, perdas ou despesas em relação ou devidas à utilização/capacidade de utilização da ferramenta, seja qual for a finalidade. A Hilti exclui em particular as garantias implícitas respeitantes a comercialização e aptidão para um fim definido.**

Para toda a reparação ou substituição, enviar a ferramenta e/ou as peças para o seu centro de vendas Hilti.

Estas são todas e as únicas obrigações da Hilti no que se refere à garantia, as quais anulam todas as declarações anteriores ou comentários contemporâneos e acordos orais ou escritos referentes a garantia.









## USA

---

Hilti, Inc.  
5400 South 122<sup>nd</sup> East Avenue  
Tulsa, Oklahoma 74146  
Telephone (918) 252-6000

## CANADA

---

Hilti (Canada) Limited / Limitée  
6790 Century Avenue, Suite 300  
CDN - Mississauga, Ontario L5N 2V8  
Telephone (905) 813 9200

## LATIN AMERICA

---

Hilti Latin America, Ltd.  
5400 South 122<sup>nd</sup> East Avenue  
P. O. Box 21 148  
Tulsa, Oklahoma 74146  
Telephone (918) 252-6595