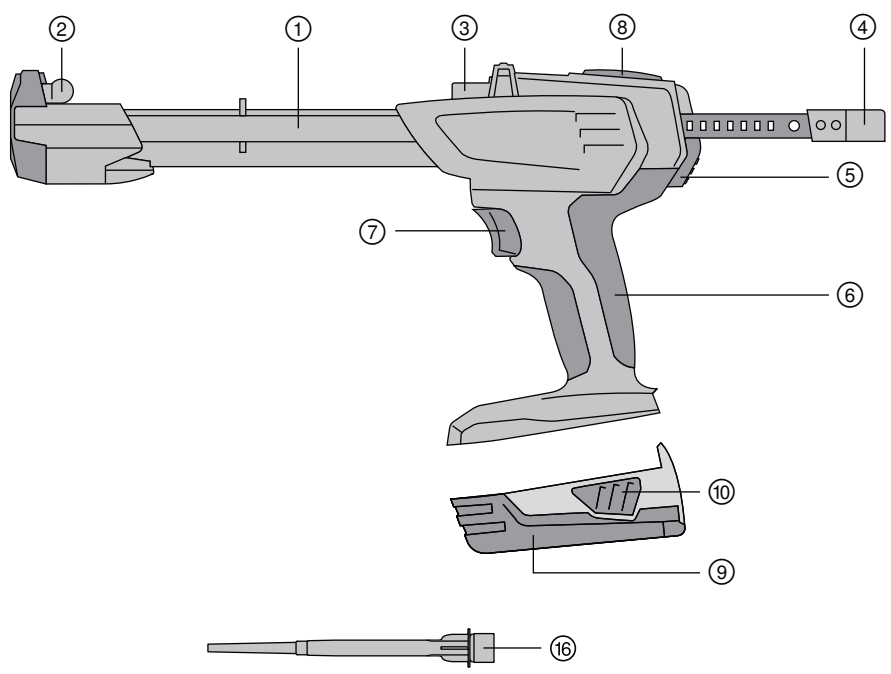


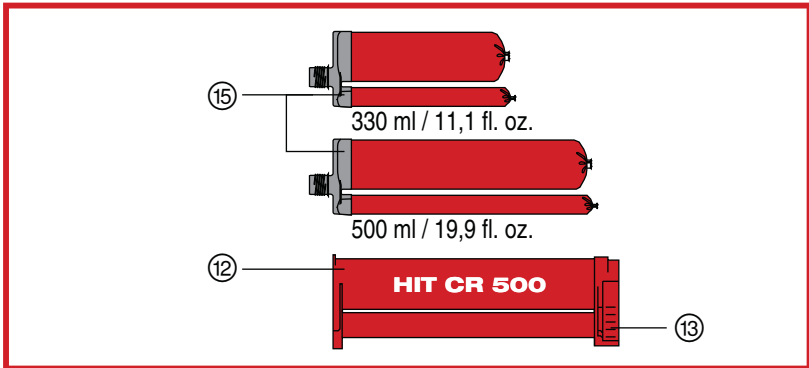
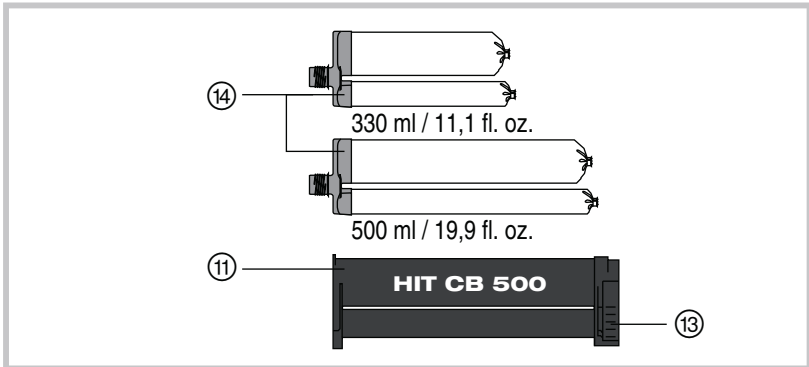
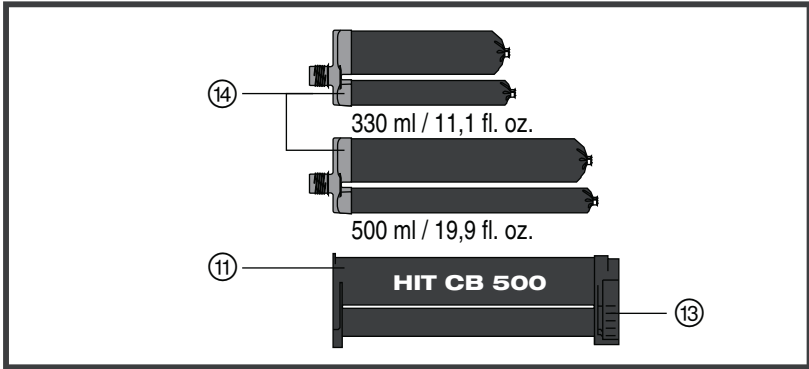


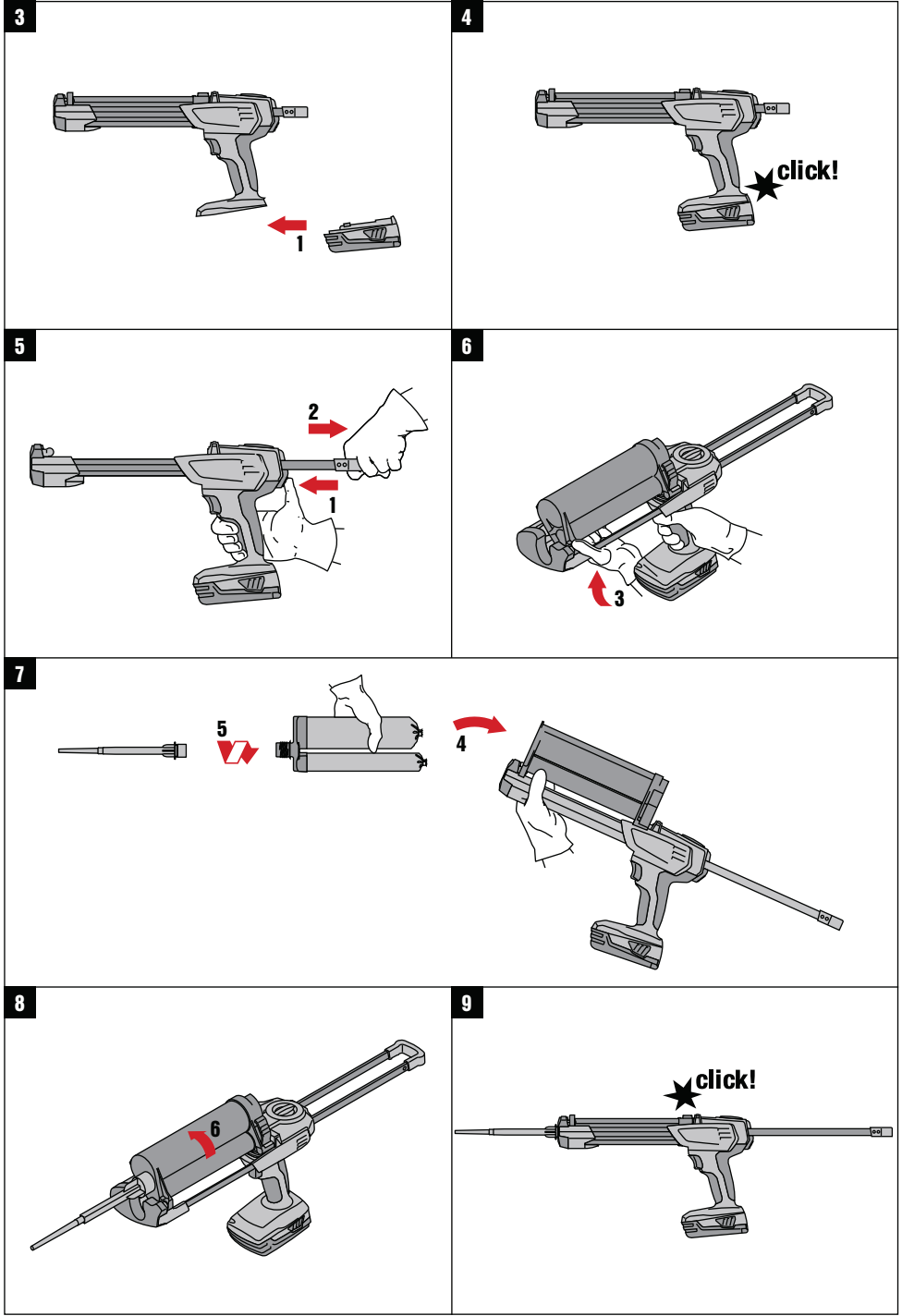
# HDE 500-A18

Operating instructions

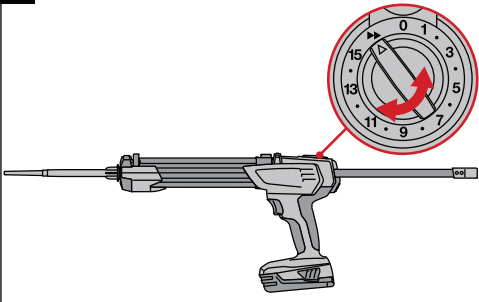
en



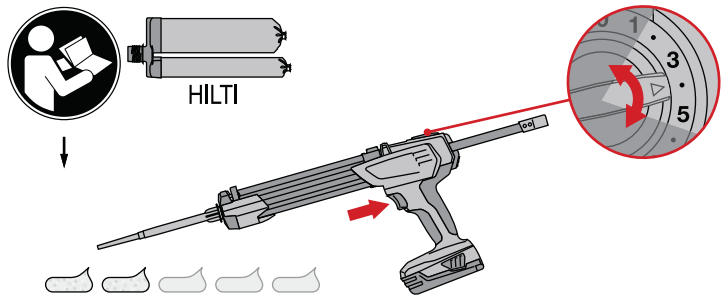




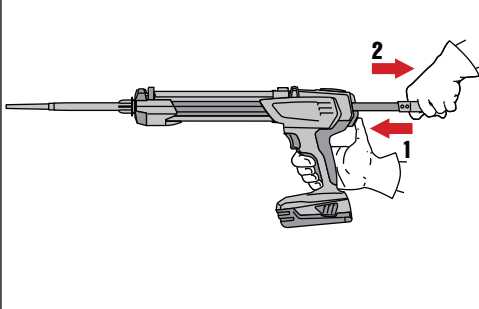
10



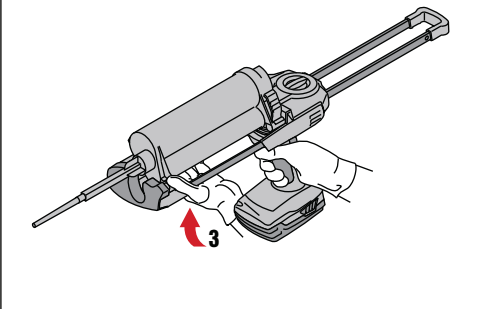
11



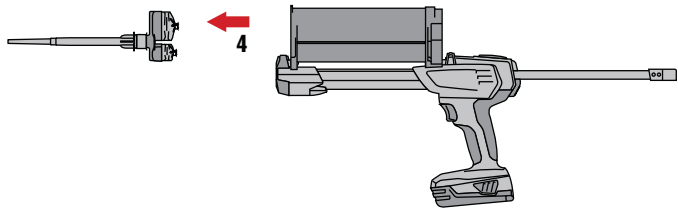
12



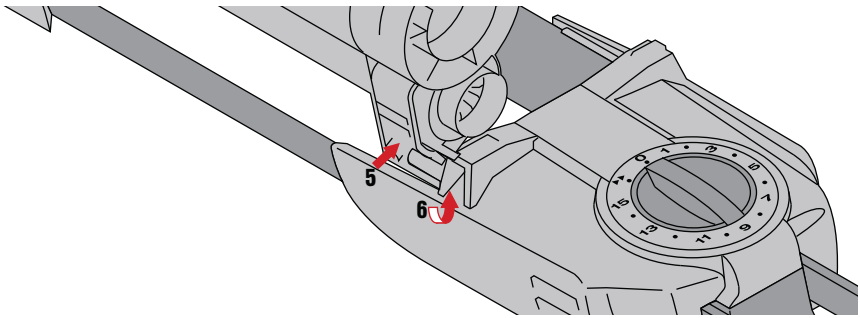
13



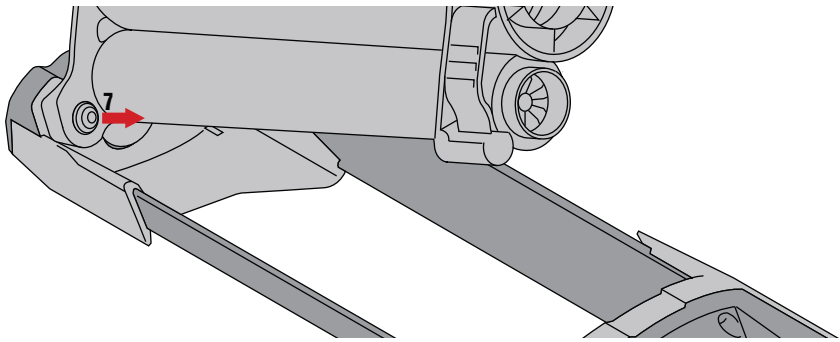
14



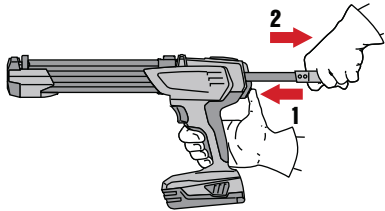
15



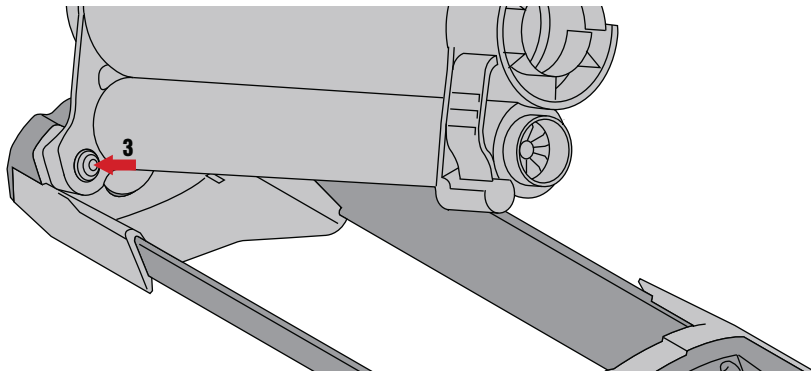
16



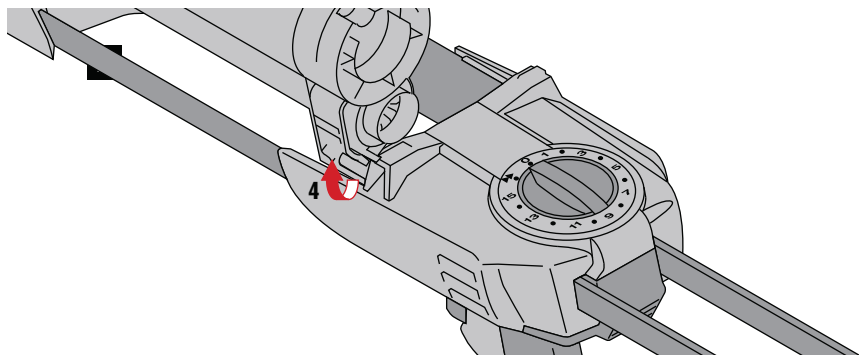
17



18



19



# ORIGINAL OPERATING INSTRUCTIONS

## HDE 500-A18 dispenser

en

***It is essential that the operating instructions are read before the tool is operated for the first time.***

***Always keep these operating instructions together with the tool.***

***Ensure that the operating instructions are with the tool when it is given to other persons.***

| Contents                    | Page |
|-----------------------------|------|
| 1. General information      | 1    |
| 2. Description              | 2    |
| 3. Accessories              | 3    |
| 4. Technical data           | 3    |
| 5. Safety instructions      | 4    |
| 6. Before use               | 6    |
| 7. Operation                | 7    |
| 8. Care and maintenance     | 10   |
| 9. Troubleshooting          | 11   |
| 10. Disposal                | 12   |
| 11. Manufacturer's warranty | 12   |

**1** These numbers refer to the corresponding illustrations. The illustrations can be found on the fold-out cover pages. Keep these pages open while studying the operating instructions.

In these operating instructions, the designation "the tool" always refers to the HDE 500-A18 cordless dispenser.

### Parts, operating controls and indicators **1**

- ① Cradle for foil pack holder
- ② Front locating lug for fitting the foil pack holder
- ③ Rear locating lug for fitting the foil pack holder
- ④ Parallel piston rods with grip
- ⑤ Release button
- ⑥ Grip
- ⑦ Speed-control trigger
- ⑧ Dispensing mode selector switch
- ⑨ Li-ion battery
- ⑩ Battery release buttons (also used to activate the charge status display)
- ⑯ Mixing nozzle (static mixer)

### Accessories **2**

- ⑪ Black foil pack holder with built-in piston, 500 ml (16.9 fl.oz.)
- ⑫ Red foil pack holder with built-in piston, 500 ml (16.9 fl.oz.)
- ⑬ Release button on the foil pack holder

### Consumables **2**

- ⑭ Black or white Hilti 2-component foil pack, contents: 330 ml (11.1 fl.oz.) or 500 ml (16.9 fl.oz.)
- ⑮ Red Hilti 2-component foil pack, contents: 330 ml (11.1 fl.oz.) or 500 ml (16.9 fl.oz.)

## 1. General information

### 1.1 Safety notices and their meaning

#### **DANGER**

Draws attention to imminent danger that will lead to serious bodily injury or fatality.

#### **WARNING**

Draws attention to a potentially dangerous situation that could lead to serious personal injury or fatality.



## CAUTION

Draws attention to a potentially dangerous situation that could lead to slight personal injury or damage to the equipment or other property.

en

## NOTE

Draws attention to an instruction or other useful information.

### 1.2 Explanation of the pictograms and other information

#### Warning signs



General warning



Warning: electricity



Warning: caustic substances

#### Obligation signs



Wear eye protection.



Wear protective gloves



Wear protective clothing

## Symbols



Read the operating instructions before use.



Return waste material for recycling.



National waste material recycling system



"Off" position



Continuous dispensing



Measured dispensing

## Location of identification data on the tool

The type designation and serial number can be found on the type identification plate on the appliance. Make a note of this data in your operating instructions and always refer to it when making an enquiry to your Hilti representative or service department.

Type: \_\_\_\_\_

Generation: 01 \_\_\_\_\_

Serial no.: \_\_\_\_\_

## 2. Description

### 2.1 Use of the product as directed

The tool is designed to dispense the contents of Hilti foil packs in a controlled operation. The HDE 500-A18 cordless dispenser is designed to be used exclusively to dispense the contents of Hilti 330 ml (11.1 fl.oz.) or 500 ml (16.9 fl.oz.) foil packs. Use of third-party products with the tool is not permissible.

Depending on the type of foil pack, the tool can be used with either a black or a red foil pack holder (see fig. 2).

**Black foil pack holder:** Used to dispense Hilti mortars supplied in black or white foil packs.

**Red foil pack holder:** Used to dispense Hilti mortars supplied in red foil packs.

The appliance is designed for professional use and may be operated, serviced and maintained only by trained, authorized personnel. This personnel must be informed of any special hazards that may be encountered. The appliance and its ancillary equipment may present hazards when used incorrectly by untrained personnel or when used not as directed.

Never point the tool toward yourself or other persons.

Do not use the battery as a power source for other unspecified appliances.

Modification of the appliance or tampering with its parts is not permissible.

To avoid the risk of injury, use only genuine Hilti tools and accessories.

Observe the information printed in the operating instructions concerning operation, care and maintenance.

The working environment may be as follows: construction site, workshop, renovation, conversion or new construction.

Nationally applicable industrial safety regulations must be observed.

## 2.2 Items supplied

- 1 The appliance
- 1 Protective glasses
- 1 Hilti toolbox or cardboard box
- 1 Operating instructions
- 1 Foil pack holder, black (optional)
- 1 Foil pack holder, red (optional)

## 2.3 Additional items required for operating the tool

B 18/3.3 Li-ion, B 18/2.6 Li-ion or B 18/1.6 Li-ion battery with C 4/36 or C 4/36-ACS charger.

## 2.4 Li-ion battery charge status and overheating indicator

| LEDs light constantly | LEDs blink | Charge status C      |
|-----------------------|------------|----------------------|
| LED 1,2,3,4           | -          | $C \geq 75\%$        |
| LED 1,2,3             | -          | $50\% \leq C < 75\%$ |
| LED 1,2               | -          | $25\% \leq C < 50\%$ |
| LED 1                 | -          | $10\% \leq C < 25\%$ |
| -                     | LED 1      | $C < 10\%$           |
| -                     | LED 1      | Battery overheated   |

## 3. Accessories

| Designation      | Short designation    | Description                |
|------------------|----------------------|----------------------------|
| Battery          | B 18/2.6 Li-ion      |                            |
| Battery          | B 18/1.6 Li-ion      |                            |
| Battery          | B 18/3.3 Li-ion      |                            |
| Charger          | C 4/36 or C 4/36-ACS |                            |
| Foil pack holder | HIT CB 500           | 500 ml (16.9 fl.oz), black |
| Foil pack holder | HIT CB 330           | 330 ml (11.1 fl.oz), black |
| Foil pack holder | HIT CR 500           | 500 ml (16.9 fl.oz), red   |
| Foil pack holder | HIT CR 330           | 330 ml (11.1 fl.oz), red   |

## 4. Technical data

Right of technical changes reserved.

### Power tool

|                            |   |
|----------------------------|---|
| Weight                     | 2.62 kg (5.8 lbs)   |
| Rated voltage (DC voltage) | 21.6 V  |
| Dimensions (L x W x H)     | 436 mm (17.17") x 120 mm (4.72") x 221 mm (17.2" x 4.7" x 8.7") |

|                                 |   |
|---------------------------------|---|
| Dispensing mode selector switch | Modes available: off, continuous dispensing, measured volume dispensing with settings 1 to 15 |
| Motor stop                      | Electronic overload prevention cut-out  |

en

| Battery                   | B 22/1.6 Li-ion   | B 22/2.6 Li-ion   | B 22/3.3 Li-ion   |
|---------------------------|-------------------|-------------------|-------------------|
| Rated voltage             | 21.6 V            | 21.6 V            | 21.6 V            |
| Capacity                  | 1.6 Ah            | 2.6 Ah            | 3.3 Ah            |
| Energy content            | 34.56 Wh          | 56.16 Wh          | 71.28 Wh          |
| Weight                    | 0.48 kg (1.06 lb) | 0.78 kg (1.72 lb) | 0.78 kg (1.72 lb) |
| Temperature monitoring    | Yes               | Yes               | Yes               |
| Deep discharge protection | Yes               | Yes               | Yes               |
| Type of cell              | Lithium-ion       | Lithium-ion       | Lithium-ion       |
| No. of cells              | 6                 | 12                | 12                |

## 5. Safety instructions

The safety rules in section 5.1 contain all general safety rules for power tools which, in accordance with the applicable standards, require to be listed in the operating instructions. Accordingly, some of the rules listed may not be relevant to this tool.

### 5.1 General power tool safety warnings

#### a) WARNING

**Read all safety warnings and instructions.** Failure to follow the warnings and instructions may result in electric shock, fire and/or serious injury. **Save all warnings and instructions for future reference.** The term “power tool” in the warnings refers to your mains-operated (corded) power tool or battery-operated (cordless) power tool.

#### 5.1.1 Work area safety

- Keep work area clean and well lit.** Cluttered or dark areas invite accidents.
- Do not operate power tools in explosive atmospheres, such as in the presence of flammable liquids, gases or dust.** Power tools create sparks which may ignite the dust or fumes.
- Keep children and bystanders away while operating a power tool.** Distractions can cause you to lose control.

#### 5.1.2 Electrical safety

- Power tool plugs must match the outlet. Never modify the plug in any way. Do not use any**

**adapter plugs with earthed (grounded) power tools.** Unmodified plugs and matching outlets will reduce risk of electric shock.

- Avoid body contact with earthed or grounded surfaces such as pipes, radiators, ranges and refrigerators.** There is an increased risk of electric shock if your body is earthed or grounded.
- Do not expose power tools to rain or wet conditions.** Water entering a power tool will increase the risk of electric shock.
- Do not abuse the cord. Never use the cord for carrying, pulling or unplugging the power tool. Keep cord away from heat, oil, sharp edges or moving parts.** Damaged or entangled cords increase the risk of electric shock.
- When operating a power tool outdoors, use an extension cord suitable for outdoor use.** Use of a cord suitable for outdoor use reduces the risk of electric shock.
- If operating a power tool in a damp location is unavoidable, use a residual current device (RCD) protected supply.** Use of an RCD reduces the risk of electric shock.

#### 5.1.3 Personal safety

- Stay alert, watch what you are doing and use common sense when operating a power tool. Do not use a power tool while you are tired or under the influence of drugs, alcohol or medication.**

A moment of inattention while operating power tools may result in serious personal injury.

- b) **Use personal protective equipment. Always wear eye protection.** Protective equipment such as dust mask, non-skid safety shoes, hard hat, or hearing protection used for appropriate conditions will reduce personal injuries.
- c) **Prevent unintentional starting. Ensure the switch is in the off-position before connecting to power source and/or battery pack, picking up or carrying the tool.** Carrying power tools with your finger on the switch or energising power tools that have the switch on invites accidents.
- d) **Remove any adjusting key or wrench before turning the power tool on.** A wrench or a key left attached to a rotating part of the power tool may result in personal injury.
- e) **Do not overreach. Keep proper footing and balance at all times.** This enables better control of the power tool in unexpected situations.
- f) **Dress properly. Do not wear loose clothing or jewellery. Keep your hair, clothing and gloves away from moving parts.** Loose clothes, jewellery or long hair can be caught in moving parts.
- g) **If devices are provided for the connection of dust extraction and collection facilities, ensure these are connected and properly used.** Use of dust collection can reduce dust-related hazards.

#### 5.1.4 Power tool use and care

- a) **Do not force the power tool. Use the correct power tool for your application.** The correct power tool will do the job better and safer at the rate for which it was designed.
- b) **Do not use the power tool if the switch does not turn it on and off.** Any power tool that cannot be controlled with the switch is dangerous and must be repaired.
- c) **Disconnect the plug from the power source and/or the battery pack from the power tool before making any adjustments, changing accessories, or storing power tools.** Such preventive safety measures reduce the risk of starting the power tool accidentally.
- d) **Store idle power tools out of the reach of children and do not allow persons unfamiliar with the power tool or these instructions to operate the power tool.** Power tools are dangerous in the hands of untrained users.
- e) **Maintain power tools. Check for misalignment or binding of moving parts, breakage of parts**

**and any other condition that may affect the power tool's operation. If damaged, have the power tool repaired before use.** Many accidents are caused by poorly maintained power tools.

- f) **Keep cutting tools sharp and clean.** Properly maintained cutting tools with sharp cutting edges are less likely to bind and are easier to control.
- g) **Use the power tool, accessories and tool bits etc. in accordance with these instructions taking into account the working conditions and the work to be performed.** Use of the power tool for operations different from those intended could result in a hazardous situation.

#### 5.1.5 Battery tool use and care

- a) **Recharge only with the charger specified by the manufacturer.** A charger that is suitable for one type of battery pack may create a risk of fire when used with another battery pack.
- b) **Use power tools only with specifically designated battery packs.** Use of any other battery packs may create a risk of injury and fire.
- c) **When battery pack is not in use, keep it away from other metal objects, like paper clips, coins, keys, nails, screws or other small metal objects, that can make a connection from one terminal to another.** Shorting the battery terminals together may cause burns or a fire.
- d) **Under abusive conditions, liquid may be ejected from the battery, avoid contact. If contact accidentally occurs, flush with water. If liquid contacts eyes, additionally seek medical help.** Liquid ejected from the battery may cause irritation or burns.

#### 5.1.6 Service

- a) **Have your power tool serviced by a qualified repair person using only identical replacement parts.** This will ensure that the safety of the power tool is maintained.

### 5.2 Additional safety rules

#### 5.2.1 Battery tool use and care

- a) **Ensure the switch is in the off position before inserting the battery pack.** Inserting the battery pack into a lamp that is switched on may dazzle you.
- b) **Do not expose batteries to high temperatures or fire.** This presents a risk of explosion.

- c) **Do not disassemble, squash or incinerate batteries and do not subject them to temperatures over 80°C (176°F).** A risk of fire, explosion or injury through contact with caustic substances may otherwise result.
  - d) **Avoid ingress of dampness.** Dampness may cause a short circuit resulting in a risk of burning injury or fire.
  - e) **Do not use batteries other than those approved for use with the applicable tool or appliance.** Use of other batteries or use of the battery for purposes for which it is not intended presents a risk of fire and explosion.
  - f) **Observe the special instructions applicable to the transport, storage and use of Li-ion batteries.**
  - g) **Avoid short-circuiting the battery.** Before inserting the battery in the tool or appliance, check that the terminals of the battery and the tool or appliance are free from foreign objects. Short-circuiting the battery terminals presents a risk of fire, explosion or contact with caustic substances.
  - h) **Do not charge or continue to use damaged batteries (e.g. batteries with cracks, broken parts, bent or pushed-in and/or pulled-out contacts).**
  - i) **Hold tool by insulated gripping surfaces when performing an operation where the cutting tool may contact hidden wiring or its own cord.** Contact with a “live” wire will make exposed metal parts of the tool “live” and shock the operator.
- b) **Use only foil pack holders of a type approved for use with the tool.**
  - c) **Do not use damaged foil pack holders or damaged foil packs.**
  - d) **The tool, the cradle for the foil pack holders, the piston rods with pressure pieces and the foil pack holders must be clean and free from foreign matter.**
  - e) **Remove the battery before storing or transporting the tool.**

### 5.2.3 Work area safety

- a) **Ensure that the workplace is well ventilated.**
- b) **Children must be instructed not to play with the appliance.**
- c) **This appliance is not intended for use by persons (including children) with reduced physical, sensory or mental capabilities, or lack of experience and knowledge, unless they have been given supervision or instruction concerning use of the appliance by a person responsible for their safety.**

### 5.2.4 Personal protective equipment



- a) **Wear personal protective equipment while the tool is in use: closely fitting protective glasses or face shield, protective gloves and protective clothing.** Wearing personal protective equipment reduces the risk of injury.
- b) **Persons in the immediate vicinity must also wear personal protective equipment while the tool is in use.**

### 5.2.2 Power tool use and care

- a) **The tool may be operated only when in faultless condition.**

## 6. Before use



### 6.1 Battery use and care

#### NOTE

Use a battery only when it has been fully charged. This ensures that maximum battery capacity is available. Change to the second battery as soon as a

drop in performance is noticed. Recharge the battery immediately so that it is ready for reuse.

Battery performance drops at low temperatures. For optimum results it is recommended that the items to be used are at room temperature before work begins. The battery must be kept warm, i.e. within its normal operating temperature range, when working outdoors in low temperatures.

## 6.2 Charging the battery



### DANGER

Use only the Hilti batteries and Hilti chargers listed under “Accessories”.

### 6.2.1 Charging a new battery for the first time

Charge the battery fully before using it for the first time.

### 6.2.2 Charging a previously used battery

Ensure that the outer surfaces of the battery are clean and dry before inserting it in the corresponding charger.

Read the operating instructions for the charger for further information about the charging procedure.

Li-ion batteries are ready for use at any time, even when only partly charged. Charging progress is indicated by the LED display (see charger operating instructions).

## 6.3 Fitting the battery 3 4

### CAUTION

Before inserting the battery, check that the dispenser output selector switch is in the “off” position. Use only the Hilti batteries approved for use with this power tool.

### CAUTION

Before inserting the battery in the tool or appliance, check that the terminals of the battery and the tool or appliance are free from foreign objects.

1. Push the battery into the tool from the rear as far as it will go and until it is heard to engage with a click.
2. **CAUTION** A falling battery may present a risk of injury to yourself or others. Check that the battery is seated securely in the tool.

## 6.4 Removing the battery

1. Press both release buttons.
2. Pull the battery out of the power tool toward the rear.

## 6.5 Transport and storage of battery packs

Pull the battery pack out of the locked position (working position) and move it into the first click-stop position (transport position).

If you disconnect a battery pack from the power tool for transport or storage, make sure that the contacts of the battery pack are not short-circuited. Remove loose metal parts such as screws, nails, clamps, loose screw bits, wires or metal swarf from the case, toolbox or transport container, or prevent these parts from coming into contact with the battery packs.

Observe national and international transport regulations when shipping battery packs (transportation by road, rail, sea or air).

# 7. Operation



## 7.1 Further instructions for use

### CAUTION

**Risk of pinching your fingers!** Keep your hands clear of the cradle area when pivoting the foil pack holder into position.

### WARNING

Observe the information on the safety data sheets, on the packaging and in the instructions for use before using the product.

### WARNING

**Always set the dispensing mode selector switch to the “0” (off) position before transporting or storing the tool.** This will prevent inadvertent battery discharge or mortar ejection.

The tool begins to operate if the trigger is pressed while the dispensing mode selector switch is in the “dispensing” position. To prevent inadvertent operation causing battery drain or mortar being dispensed, the dispensing mode selector switch must be left in the “off” position during transport or storage.

Use of genuine Hilti parts ensures maximum safety. The dispenser, the foil pack holder and the foil packs are perfectly matched to each other.

The tool will achieve high performance, high battery capacity and long life if handled carefully and maintained correctly.

**IMPORTANT!** The motor cut-out will be activated if the tool is overloaded. The tool relieves pressure automatically and is subsequently ready for further operation.

## 7.2 Dispensing mode selector switch positions

### NOTE

The volume to be dispensed cannot be adjusted while the trigger is pressed.

### 7.2.1 "0" (off) position

The tool is switched off.  
No mortar can be dispensed.

### 7.2.2 Volume settings 1 to 15

### NOTE

The volume settings required may vary according to foil pack type and temperature. The values given here are to be used as a guide.

- Select the required volume.  
1 = 1 stroke (approx. 5 ml (0.17 fl.oz.))  
15 = 15 strokes (approx. 75 ml (2.55 fl.oz.))
- Press the trigger and maintain pressure on it until the tool stops automatically after ejection of the selected volume.

### 7.2.3 Switch position for sustained operation

- Press the trigger to begin dispensing and control the flow rate.  
Increase pressure on the trigger to increase the flow rate and reduce pressure to reduce the flow rate.
- Release the trigger when you wish to interrupt or stop the dispensing operation.  
Pressure on the foil pack is released automatically so no further mortar escapes from the mixing nozzle.

### 7.3 Selecting the foil pack holder 2

### CAUTION

**Check the foil pack holder for damage and/or soiling.** Both pistons must move smoothly and easily in both directions over the full length of their travel in

the foil pack holder. **Damaged and/or badly soiled foil pack holders must be replaced.**

### NOTE

Foil pack holders are available as accessories.

Select the correct foil pack holder according to the color of the foil pack.

Black foil pack holder: BLACK or WHITE foil pack  
Red foil pack holder: RED foil pack

## 7.4 Inserting the foil pack in the foil pack holder 5 6 7 8 9



### NOTE

Follow the instructions for use of the foil pack.

### WARNING

**Check the foil pack for damage. Never use damaged foil packs.**

- Press the release button and maintain pressure on it.
- Pull the piston rods all the way back.
- Remove the foil pack holder from the tool by tilting it slightly and applying light pressure from below.
- Grip the tool with the foil pack holder from the side with one hand and push the foil pack into the holder from the front, as far as it will go.
- Screw the mixing nozzle all the way onto the foil pack.
- Insert the foil pack holder with the foil pack into the tool, tilting it slightly and applying light pressure until it clicks into place.

## 7.5 Discarding the initial quantity of mortar dispensed 10 11

### CAUTION

**The initial quantity of mortar dispensed is not suitable for use. The quantity to be discarded is product specific and is indicated in the applicable instructions for use. The initial quantity must also be discarded after changing a mixing nozzle.**

## WARNING

Never point the tool toward yourself or other persons.

## WARNING

Begin dispensing mortar only after the mixing nozzle has been screwed on.

## NOTE

The foil pack opens automatically when dispensing begins. The two components can be seen to mix inside the mixing nozzle.

1. Set the mode selector switch to “continuous operation”.
2. Press the trigger until the mixing nozzle is completely full.
3. Set the dispensing selector switch to the mortar volume to be discarded (number of strokes) in accordance with the instructions for use of the mortar.
4. Discard this initial quantity of mortar dispensed.

## 7.6 Dispensing 10 11

## WARNING

Never point the tool toward yourself or other persons.

## WARNING

Begin dispensing mortar only after the mixing nozzle has been screwed on.

## CAUTION

The tool / foil pack must not be under pressure when the mixing nozzle is changed.

## NOTE

Mortar in the mixing nozzle hardens if dispensing is interrupted for a long period. Screw on a new mixing nozzle when you wish to continue dispensing mortar.

## NOTE

Please refer to the instructions for use of the foil pack for further information about use of the mortar.

## NOTE

Store partly-used foil packs in the foil pack holder with the mixing nozzle screwed on. Partly-used foil packs have a limited shelf life. Please refer to the instructions for use of the foil pack.

## 7.7 Changing the foil pack 12 13 14

## NOTE

All 4 LEDs on the battery blink briefly to indicate when a foil pack is completely empty.

1. Press the release button and maintain pressure on it.
2. Pull the piston rods all the way back.
3. Remove the foil pack holder from the tool by tilting it slightly and applying light pressure from below.
4. Grip the empty foil pack by the mixing nozzle and pull it out of the foil pack holder.
5. Push a new foil pack into the holder as far as it will go and screw on a new mixing nozzle.
6. Re-insert the foil pack holder in the tool, applying light pressure until it clicks into place.

## 7.8 Disposing of a foil pack

## CAUTION

Dispose of completely emptied foil packs in accordance with nationally applicable instructions.

## NOTE

For information about disposing of full, partly-used and completely empty foil packs, please refer to the instructions for use of the product or the applicable safety data sheets.

## 7.9 Removing the foil pack holder from the tool 15 16

1. Press the release button and maintain pressure on it.
2. Pull the piston rods all the way back.
3. Remove the foil pack holder from the tool by tilting it slightly and applying light pressure from below.
4. Grip the foil pack holder by the large cylinder.
5. Keep the release button at the rear end of the foil pack holder pressed in.
6. Disengage the foil pack holder from the rear locating lug.
7. Pull the eye on the foil pack holder off the front locating lug and remove the foil pack holder from the tool.

en



### 7.10 Inserting the foil pack holder in the tool **17 18 19**

1. Press the release button and maintain pressure on it.
2. Pull the piston rods all the way back.
3. Fit the eye on the foil pack holder onto the locating lug at the front end of the tool.
4. Guide the rear of the foil pack holder under the rear locating lug until it engages in place.
5. Insert the foil pack holder in the tool by tilting it slightly and applying light downward pressure until it clicks into place and is seated correctly.

### 7.11 Reading the charge status LED display on Li-ion batteries

#### NOTE

The charge status cannot be indicated while the tool is in operation. LED 1 blinks when the battery is fully

discharged or when it is too hot (temperature above 80°C (176°F)). The battery must then be inserted in the charger.

The Li-ion battery features a charge status LED display. The charge status is indicated by the LEDs on the battery during charging (please refer to the operating instructions for the charger). When the battery is not in use, pressing one of the battery release buttons or inserting the battery into the tool causes the battery charge status to be displayed by the four LEDs for three seconds.

### 7.12 Transport and storage

1. Set the dispensing mode selector switch to the "off" position before transporting or storing the tool.
2. Remove the battery from the tool before transport and storage.

## 8. Care and maintenance

#### CAUTION

**Before beginning cleaning, remove the battery from the power tool or appliance in order to prevent unintentional starting.**

### 8.1 Care of the tool

#### CAUTION

**Keep the appliance, especially its grip surfaces, clean and free from oil and grease. Do not use cleaning agents which contain silicone.**

Do not permit foreign objects to enter the interior of the tool. Clean the outside of the tool at regular intervals with a slightly damp cloth. Do not use a spray, steam pressure cleaning equipment or running water for cleaning. This may negatively affect the electrical safety of the tool.

Use a cloth to remove any mortar adhering to the tool and foil pack holder as soon as possible, before it hardens. Hardened mortar can be removed only by mechanical means. Take care to ensure that the tool is not damaged by cleaning. Never dip or soak the tool or its parts in solvents.

Lubricate the piston rods with oil when necessary. Check that the pistons move freely in the foil pack holder.

### 8.2 Care of the Li-ion battery

Avoid entrance of moisture.

Charge the battery fully before using it for the first time.

In order to achieve maximum battery life, stop using the battery as soon as a significant drop in performance is noticed.

#### NOTE

If use of the power tool or appliance continues, battery discharge is stopped automatically (indicated by LED 1 blinking) before the battery cells suffer damage.

Charge the battery with the Hilti charger approved for use with Li-ion batteries.

#### NOTE

- A conditioning charge (as is required with NiCd or NiMH batteries) is not necessary.

- Interruption of the charging procedure has no negative effect on battery life.

- Charging can be started at any time, irrespective of battery charge status, without any negative effect on battery life. There is no memory effect (as with NiCd or NiMH batteries).

- For best results, batteries should be stored fully charged in a cool dry place. Avoid storing the battery

in places subject to high ambient temperatures (e.g. at a window) as this has an adverse effect on battery life and increases the rate of self-discharge.

- If the battery no longer reaches full charge, it may have lost capacity due to aging or overstressing. It is possible to continue working with a battery in this condition but it should be replaced in good time.

### 8.3 Maintenance

#### WARNING

Repairs to the electrical section of the appliance may be carried out only by trained electrical specialists.

Check all external parts of the appliance for damage at regular intervals and check that all controls operate faultlessly. Do not operate the appliance if parts are damaged or when the controls do not function faultlessly. If necessary, the appliance should be repaired by Hilti Service.

### 8.4 Checking the tool after care and maintenance

After carrying out care and maintenance, check that moving parts function faultlessly, that no parts are sticking, broken or damaged and that the tool operates faultlessly.

en

## 9. Troubleshooting

| Fault   | Possible cause  | Remedy  |
|---|---|---|
| The tool doesn't work.                            | The battery is discharged or fitted incorrectly.  | The battery must engage with an audible click or, respectively, needs to be charged.  |
|   | Electrical fault.   | Remove the battery from the power tool and contact Hilti Service.   |
|   | The dispensing mode selector switch is set to "0".  | Select the desired dispensing mode.   |
| The tool doesn't work and all 4 LEDs blink.       | The overload cut-out is activated; The mortar in the mixing nozzle has hardened.              | Change the mixing nozzle.   |
|   | The overload cut-out is activated; The dispensing pressure required is too high for the tool. | Raise the temperature of the foil pack (observe the instructions for use of the foil pack). Select and use a suitable tool for the application. |
|   | The foil pack is empty.   | Change the empty foil pack.   |
| The power tool doesn't work and 1 LED blinks.     | The battery is discharged.  | Change the battery and recharge the discharged battery.   |
|   | The battery is too hot or too cold.   | Bring the battery to room temperature.  |
| The battery runs down more quickly than usual.    | Battery condition is not optimal.   | Have the battery condition checked by Hilti or replace the battery.   |
| The battery doesn't engage with an audible click. | The retaining lugs on the battery are dirty.  | Clean the retaining lugs and check that the battery engages securely. Contact Hilti Service if the problem persists.                            |
| The tool or battery get very hot.                 | Electrical fault.   | Switch the tool off immediately, remove the battery and contact Hilti Service.  |
|   | The power tool has been overloaded (application limits exceeded).                             | Use the right power tool for the job (don't use a low-powered tool for heavy work).   |

| Fault   | Possible cause                                     | Remedy   |
|---|--|--|
| The foil pack cannot be tilted and pushed down into the tool. | The foil pack is not pushed fully into the holder. | Push the foil pack into the holder as far as it will go.                       |
|   | The piston rods are not pulled back fully.         | Press the release button and pull the piston rods back as far as they will go. |
| The foil pack holder doesn't engage with an audible click.    | The retaining catches are dirty / clogged.         | Clean the retaining catches and engage the foil pack holder fully.             |
|   | The retaining lugs are defective.                  | Fit another foil pack holder. Contact Hilti Service if the problem persists.   |

## 10. Disposal

### CAUTION

Improper disposal of the equipment may have serious consequences: The burning of plastic components generates toxic fumes which may present a health hazard. Batteries may explode if damaged or exposed to very high temperatures, causing poisoning, burns, acid burns or environmental pollution. Careless disposal may permit unauthorized and improper use of the equipment. This may result in serious personal injury, injury to third parties and pollution of the environment.

### CAUTION

Dispose of defective batteries without delay. Keep them out of reach of children. Do not attempt to open or dismantle batteries and do not dispose of them by incineration.

### CAUTION

Dispose of the batteries in accordance with national regulations or return them to Hilti.



Most of the materials from which Hilti tools or appliances are manufactured can be recycled. The materials must be correctly separated before they can be recycled. In many countries, Hilti has already made arrangements for taking back old tools and appliances for recycling. Ask Hilti customer service or your Hilti representative for further information.

## 11. Manufacturer's warranty

Hilti warrants that the tool supplied is free of defects in material and workmanship. This warranty is valid so long as the tool is operated and handled correctly, cleaned and serviced properly and in accordance with the Hilti Operating Instructions, and the technical system is maintained. This means that only original Hilti consumables, components and spare parts may be used in the tool.

This warranty provides the free-of-charge repair or replacement of defective parts only over the entire lifespan of the tool. Parts requiring repair or replacement as a result of normal wear and tear are not covered by this warranty.

**Additional claims are excluded, unless stringent national rules prohibit such exclusion. In particular,**

**Hilti is not obligated for direct, indirect, incidental or consequential damages, losses or expenses in connection with, or by reason of, the use of, or inability to use the tool for any purpose. Implied warranties of merchantability or fitness for a particular purpose are specifically excluded.**

For repair or replacement, send the tool or related parts immediately upon discovery of the defect to the address of the local Hilti marketing organization provided.

This constitutes Hilti's entire obligation with regard to warranty and supersedes all prior or contemporaneous comments and oral or written agreements concerning warranties.

en



Hilti Corporation

LI-9494 Schaan

Tel.: +423 / 234 21 11

Fax: +423 / 234 29 65

[www.hilti.com](http://www.hilti.com)

Hilti = registered trademark of Hilti Corp., Schaan

W 4065 | 0911 | 00-Pos. 3 | 1

Printed in Germany © 2011

Right of technical and programme changes reserved S. E. & O.

2017693 / A

