

# HILTI

**TE 30**

**TE 30-AVR**

**TE 30-C-AVR**

**TE 30-M-AVR**

English





## 1 Information about the documentation

### 1.1 About this documentation

- Read this documentation before initial operation or use. This is a prerequisite for safe, trouble-free handling and use of the product.
- Observe the safety instructions and warnings in this documentation and on the product.
- Always keep the operating instructions with the product and make sure that the operating instructions are with the product when it is given to other persons.

### 1.2 Explanation of signs used

#### 1.2.1 Warnings

Warnings alert persons to hazards that occur when handling or using the product. The following signal words are used in combination with a symbol:



**DANGER!** Draws attention to imminent danger that will lead to serious personal injury or fatality.



**WARNING!** Draws attention to a potential hazard that could lead to serious personal injury or fatality.



**CAUTION!** Draws attention to a potentially dangerous situation that could lead to minor personal injury or damage to the equipment or other property.

#### 1.2.2 Symbols in the documentation

The following symbols are used in this document:



Read the operating instructions before use



Instructions for use and other useful information

#### 1.2.3 Symbols in the illustrations

The following symbols are used in illustrations:



These numbers refer to the corresponding illustrations found at the beginning of these operating instructions.

3

The numbering reflects the sequence of operations shown in the illustrations and may deviate from the steps described in the text.



Item reference numbers are used in the **overview illustrations** and refer to the numbers used in the **product overview section**.



These characters are intended to specifically draw your attention to certain points when handling the product.

### 1.3 Product-dependent symbols

#### 1.3.1 Symbols on the product

The following symbols are used on the product:



Drilling without hammer action

1



Drilling without hammering, 1st gear

2



Drilling without hammering, 2nd gear



Drilling with hammer action (hammer drilling)



Chiseling



Chisel positioning



Protection class II (double-insulated)

∅	Diameter
n <sub>0</sub>	Rated speed under no load
/min	Revolutions per minute
RPM	Revolutions per minute

## 1.4 Product information

Hilti products are designed for professional use and may be operated, serviced and maintained only by trained, authorized personnel. This personnel must be informed of any particular hazards that may be encountered. The product and its ancillary equipment can present hazards if used incorrectly by untrained personnel or if used not in accordance with the intended use.

The type designation and serial number are stated on the rating plate.

- ▶ Write down the serial number in the table below. You will be required to state the product details when contacting Hilti Service or your local Hilti organization to inquire about the product.

### Product information

Combihammer	TE 30   TE 30-AVR   TE 30-C-AVR   TE 30-M-AVR
Generation	01
Serial no.	

## 1.5 Declaration of conformity

We declare, on our sole responsibility, that the product described here complies with the applicable directives and standards. A copy of the declaration of conformity can be found at the end of this documentation.

The technical documentation is filed and stored here:

Hilti Entwicklungsgesellschaft mbH | Tool Certification | Hiltistrasse 6 | 86916 Kaufering, Germany

## 2 Safety

### 2.1 General power tool safety warnings

**⚠ WARNING Read all safety warnings, instructions, illustrations and specifications provided with this power tool.** Failure to follow the instructions below may result in electric shock, fire and/or serious injury.

**Save all warnings and instructions for future reference.**

The term "power tool" in the warnings refers to your mains-operated (corded) power tool or battery-operated (cordless) power tool.

#### Work area safety

- ▶ **Keep your work area clean and well lit.** Cluttered or dark work areas invite accidents.
- ▶ **Do not operate the power tool in explosive atmospheres, such as in the presence of flammable liquids, gases or dust.** Power tools create sparks which may ignite the dust or fumes.
- ▶ **Keep children and bystanders away while operating a power tool.** Distractions can cause you to lose control.

#### Electrical safety

- ▶ **Power tool plugs must match the outlet. Never modify the plug in any way. Do not use any adapter plugs with earthed (grounded) power tools.** Unmodified plugs and matching power outlets reduce the risk of electric shock.
- ▶ **Avoid body contact with earthed or grounded surfaces, such as pipes, radiators, ranges and refrigerators.** There is an increased risk of electric shock if your body is earthed or grounded.
- ▶ **Do not expose power tools to rain or wet conditions.** Water entering a power tool will increase the risk of electric shock.
- ▶ **Do not abuse the cord. Never use the cord for carrying, pulling or unplugging the power tool. Keep cord away from heat, oil, sharp edges or moving parts.** Damaged or entangled cords increase the risk of electric shock.
- ▶ **When operating a power tool outdoors, use an extension cord suitable for outdoor use.** Use of a cord suitable for outdoor use reduces the risk of electric shock.

- ▶ **If operating a power tool in a damp location is unavoidable, use a residual current device (RCD) protected supply.** Use of an RCD reduces the risk of electric shock.

#### Personal safety

- ▶ **Stay alert, watch what you are doing and use common sense when operating a power tool. Do not use a power tool while you are tired or under the influence of drugs, alcohol or medication.** A moment of inattention while operating the power tool may result in serious personal injury.
- ▶ **Use personal protective equipment. Always wear eye protection.** Protective equipment such as a dust mask, non-skid safety shoes, hard hat or hearing protection used for appropriate conditions will reduce personal injuries.
- ▶ **Prevent unintentional starting. Ensure the switch is in the off-position before connecting to power source and/or battery pack, picking up or carrying the tool.** Carrying power tools with your finger on the switch or energising power tools that have the switch on invites accidents.
- ▶ **Remove any adjusting key or wrench before turning the power tool on.** A wrench or a key left attached to a rotating part of the power tool may result in personal injury.
- ▶ **Do not overreach. Keep proper footing and balance at all times.** This enables better control of the power tool in unexpected situations.
- ▶ **Dress properly. Do not wear loose clothing or jewellery. Keep your hair and clothing away from moving parts.** Loose clothes, jewellery or long hair can be caught in moving parts.
- ▶ **If devices are provided for the connection of dust extraction and collection facilities, ensure these are connected and properly used.** Use of dust collection can reduce dust-related hazards.
- ▶ **Do not let familiarity gained from frequent use of tools allow you to become complacent and ignore tool safety principles.** A careless action can cause severe injury within a fraction of a second.

#### Power tool use and care

- ▶ **Do not force the power tool. Use the correct power tool for your application.** The correct power tool will do the job better and safer at the rate for which it was designed.
- ▶ **Do not use the power tool if the switch does not turn it on and off.** Any power tool that cannot be controlled with the switch is dangerous and must be repaired.
- ▶ **Disconnect the plug from the power source and/or remove the battery pack, if detachable, from the power tool before making any adjustments, changing accessories, or storing power tools.** Such preventive safety measures reduce the risk of starting the power tool accidentally.
- ▶ **Store idle power tools out of the reach of children and do not allow persons unfamiliar with the power tool or these instructions to operate the power tool.** Power tools are dangerous in the hands of untrained users.
- ▶ **Maintain power tools and accessories. Check for misalignment or binding of moving parts, breakage of parts and any other condition that may affect the power tool's operation. If damaged, have the power tool repaired before use.** Many accidents are caused by poorly maintained power tools.
- ▶ **Keep cutting tools sharp and clean.** Properly maintained cutting tools with sharp cutting edges are less likely to bind and are easier to control.
- ▶ **Use the power tool, accessories and tool bits etc. in accordance with these instructions, taking into account the working conditions and the work to be performed.** Use of the power tool for operations different from those intended could result in a hazardous situation.
- ▶ **Keep handles and grasping surfaces dry, clean and free from oil and grease.** Slippery handles and grasping surfaces do not allow for safe handling and control of the tool in unexpected situations.

#### Service

- ▶ **Have your power tool serviced by a qualified repair person using only identical replacement parts.** This will ensure that the safety of the power tool is maintained.

## 2.2 Safety instructions for power drills

### Safety instructions for work of all kinds

- ▶ **Wear ear protection when hammer drilling.** Exposure to noise can cause hearing loss.
- ▶ **Use the auxiliary handle.** Loss of control can cause personal injury.
- ▶ **Always support the power tool firmly in preparation for use.** This power tool produces high torque. If the power tool is not securely supported at all times during operation loss of control can result and lead to injuries.
- ▶ **Hold the power tool by the insulated gripping surfaces only, when carrying out work in which the accessory tool or the screws can come into contact with concealed wiring or the tool's own supply cord.** If the accessory tool comes into contact with a live wire, metal parts of the power tool can also become live, resulting in an electric shock.

### Safety instructions for using long drill bits

- ▶ **Do not under any circumstances attempt to work with the power tool operating at a speed higher than the maximum permissible speed for the drill bit.** A drill bit spinning at a speed higher than its maximum permissible speed when not in contact with the workpiece can develop a slight curvature and this can lead to injuries.
- ▶ **Always start drilling at a low speed and with the drill bit in contact with the workpiece.** A drill bit spinning at a speed higher than its maximum permissible speed when not in contact with the workpiece can develop a slight curvature and this can lead to injuries.
- ▶ **Do not apply too much pressure to the drill bit and apply pressure only along the drill bit's longitudinal axis.** Drill bits can bend and subsequently break or cause a loss of control and resultant injury.

### Safety instructions for using mixing paddles or stirrers

- ▶ **Switch the power tool on or off only when the mixing paddle is immersed in the material for mixing.** Failure to do so can cause a loss of control with resultant risk of injury.

## 2.3 Additional safety instructions

### Personal safety

- ▶ **Use the tool only when it is in technically faultless condition.**
- ▶ **Never tamper with or modify the tool in any way.**
- ▶ **Check that the side handle is fitted correctly and tightened securely.**
- ▶ **Always hold the power tool with both hands on the grips provided. Keep the grips dry, clean and free from oil and grease.**
- ▶ **Improve the blood circulation in your fingers by relaxing your hands and exercising your fingers during breaks between working.**
- ▶ **Avoid touching rotating parts. Switch the power tool on only after bringing it into position at the workpiece.** Touching rotating parts, especially rotating accessory tools, may lead to injury.
- ▶ **The tool is not intended for use by debilitated persons who have received no special training.**
- ▶ **Keep bystanders, children and visitors away while operating a power tool.**
- ▶ **Dust from materials, such as paint containing lead, some wood species, concrete / masonry / stone containing silica, and minerals as well as metal, may be harmful. Contact with or inhalation of the dust may cause allergic reactions and/or respiratory or other diseases to the operator or bystanders. Certain kinds of dust are classified as carcinogenic such as oak and beech dust, especially in conjunction with additives for wood conditioning (chromate, wood preservative). Material containing asbestos may be handled only by specialists. Use a dust removal system whenever possible. To achieve a high level of dust collection, use a suitable vacuum cleaner. When indicated, wear a respirator appropriate for the type of dust generated. Ensure that the workplace is well ventilated. Follow national requirements for the materials you want to work with.**
- ▶ **Before beginning the work, check the hazard classification of the dust that will be produced. Use an industrial vacuum cleaner with an officially approved protection classification in compliance with locally applicable dust protection regulations.**
- ▶ **Observe the national health and safety requirements.**

### Electrical safety

- ▶ **Before beginning work, check the working area for concealed electric cables or gas and water pipes. External metal parts of the power tool may give you an electric shock if you damage an electric cable accidentally.**
- ▶ **Check the power tool's supply cord at regular intervals and have it replaced by a qualified specialist if found to be damaged. If the power tool's supply cord is damaged it must be replaced with a specially-prepared and approved supply cord available from Hilti Customer Service. Check extension cords at regular intervals and replace them if found to be damaged. Do not touch the supply cord or extension cord if it is damaged while working. Disconnect the supply cord plug from the power outlet. Damaged supply cords or extension cords present a risk of electric shock.**
- ▶ **Switch the electric tool off and unplug the supply cord in the event of an interruption in the electric supply in order to avoid inadvertent restarting when the power returns.**
- ▶ **Dirty or dusty power tools that have been used frequently for work on conductive materials should be checked at regular intervals at a Hilti Service Center. Dust (especially dust from conductive materials) or dampness adhering to the surface of the power tool may, under unfavorable conditions, lead to electric shock.**

#### Careful handling and use of power tools

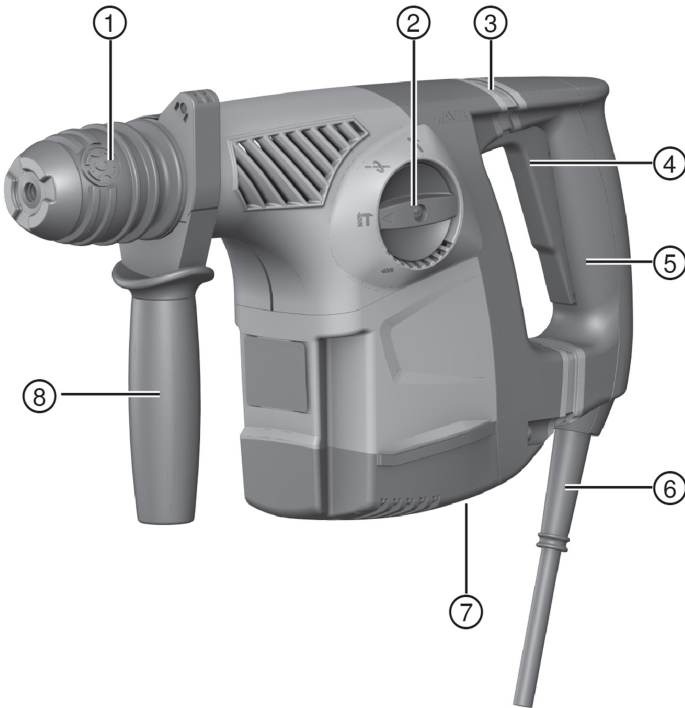
- ▶ **Secure the workpiece.** A workpiece clamped in a vice or secured by some other clamping device is more secure than when held only by hand.
- ▶ **Switch the power tool off if the accessory tool sticks and stalls.** The power tool may be deflected laterally.
- ▶ **Wait until the power tool stops completely before you lay it down.**
- ▶ **Ensure that the accessory tools used have a mounting system that is compatible with the power tool and that they are secured in the chuck correctly.**
- ▶ **Wear protective gloves when changing accessory tools as they get hot during use.**

#### Work area

- ▶ **If the work involves breaking right through, take the appropriate safety measures at the opposite side.** Parts breaking away could fall out and / or fall down and injure other persons.

### 3 Description

#### 3.1 Overview of the product





- |                                    |                                |
|------------------------------------|--------------------------------|
| ① Chuck                            | ⑤ Grip                         |
| ② Function selector switch         | ⑥ Supply cord                  |
| ③ Active Vibration Reduction (AVR) | ⑦ Forward / reverse switch     |
| ④ Control switch                   | ⑧ Side handle with depth gauge |

### 3.2 Intended use

The product described is an electrically powered combihammer. It is designed for drilling in concrete, masonry, wood and metal. The product can also be used for light to medium-duty chiseling on masonry and surface finishing work on concrete.

Under certain conditions, the product may also be suitable for stirring / mixing.

- ▶ Operation is permissible only when connected to a power source providing a voltage and frequency in compliance with the information given on the type identification plate.

### 3.3 Description of the device

#### 3.3.1 Active Vibration Reduction

The tool is equipped with an Active Vibration Reduction (AVR) system which reduces vibration noticeably.

#### 3.4 Items supplied

Rotary hammer drill, side handle, depth gauge, operating instructions.

Other system products approved for use with this product can be found at your local **Hilti Store** or at: [www.hilti.group](http://www.hilti.group) | USA: [www.hilti.com](http://www.hilti.com)

## 4 Technical data



#### Note

For rated voltage, rated current, frequency and/or input power, refer to the country-specific type identification plate.

If the tool is powered by a generator or transformer, the generator or transformer's power output must be at least twice the rated input power shown on the rating plate of the tool. The operating voltage of the transformer or generator must always be within +5 % and -15 % of the rated voltage of the tool.

	TE 30	TE 30-AVR
<b>Weight in accordance with EPTA procedure 01</b>	4.0 kg	4.2 kg
<b>∅ hammer drill bits</b>	5 mm ...28 mm	5 mm ...28 mm
<b>∅ drill bits for wood</b>	5 mm ...20 mm	5 mm ...20 mm
<b>∅ drill bits for metal</b>	3 mm ...13 mm	3 mm ...13 mm
<b>∅ mixing paddle with smooth shank (for mixing non-flammable substances)</b>	•/•	•/•

	TE 30-C-AVR	TE 30-M-AVR
<b>Weight in accordance with EPTA procedure 01</b>	4.2 kg	4.4 kg
<b>∅ hammer drill bits</b>	5 mm ...28 mm	5 mm ...28 mm
<b>∅ drill bits for wood</b>	5 mm ...20 mm	5 mm ...20 mm
<b>∅ drill bits for metal</b>	3 mm ...13 mm	3 mm ...13 mm
<b>∅ mixing paddle with smooth shank (for mixing non-flammable substances)</b>	•/•	80 mm ...150 mm

#### 4.1 Noise information and vibration values in accordance with EN 60745

The sound pressure and vibration values given in these instructions were measured in accordance with a standardized test and can be used to compare one power tool with another. They can also be used for a preliminary assessment of exposure. The data given represents the main applications of the power tool. However, if the power tool is used for different applications, with different accessory tools, or is poorly maintained, the data can vary. This can significantly increase exposure over the total working period. An accurate estimation of exposure should also take into account the times when the tool is switched off, or

when it is running but not actually being used for a job. This can significantly reduce exposure over the total working period. Identify additional safety measures to protect the operator from the effects of noise and/or vibration, for example: Maintaining the power tool and accessory tools, keeping the hands warm, organization of work patterns.

#### Noise emission values

	TE 30	TE 30-AVR
Sound (power) level ( $L_{WA}$ )	101 dB(A)	101 dB(A)
Uncertainty for the sound power level ( $K_{WA}$ )	3 dB(A)	3 dB(A)
Sound pressure level ( $L_{pA}$ )	90 dB(A)	90 dB(A)
Uncertainty for the sound pressure level ( $K_{pA}$ )	3 dB(A)	3 dB(A)

	TE 30-C-AVR	TE 30-M-AVR
Sound (power) level ( $L_{WA}$ )	101 dB(A)	101 dB(A)
Uncertainty for the sound power level ( $K_{WA}$ )	3 dB(A)	3 dB(A)
Sound pressure level ( $L_{pA}$ )	90 dB(A)	90 dB(A)
Uncertainty for the sound pressure level ( $K_{pA}$ )	3 dB(A)	3 dB(A)

#### Total vibration

	TE 30	TE 30-AVR
Hammer drilling in concrete ( $a_{h, HD}$ )	16.5 m/s <sup>2</sup>	12 m/s <sup>2</sup>
Chiseling ( $a_{h, ChEq}$ )	•/•	•/•
Uncertainty (K)	1.5 m/s <sup>2</sup>	1.5 m/s <sup>2</sup>

	TE 30-C-AVR	TE 30-M-AVR
Hammer drilling in concrete ( $a_{h, HD}$ )	12 m/s <sup>2</sup>	12 m/s <sup>2</sup>
Chiseling ( $a_{h, ChEq}$ )	11 m/s <sup>2</sup>	11 m/s <sup>2</sup>
Uncertainty (K)	1.5 m/s <sup>2</sup>	1.5 m/s <sup>2</sup>

## 5 Operation

### 5.1 Preparations at the workplace



#### CAUTION

**Risk of injury!** Inadvertent starting of the product.

- ▶ Unplug the supply cord before making adjustments to the power tool or before changing accessories.

Observe the safety instructions and warnings in this documentation and on the product.

#### 5.1.1 Fitting the side handle



#### CAUTION

**Risk of injury.** The depth gauge, if fitted but not used, might hinder the operator.

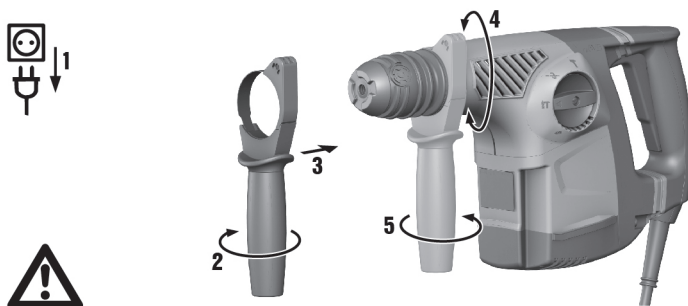
- ▶ Remove the depth gauge from the product.



#### CAUTION

**Risk of injury!** Loss of control over the combihammer.

- ▶ Check that the side handle is fitted correctly and tightened securely. Check that the clamping band is engaged in the groove provided on the tool.



- Fit the side handle.

### 5.1.2 Fitting / removing the chuck



#### CAUTION

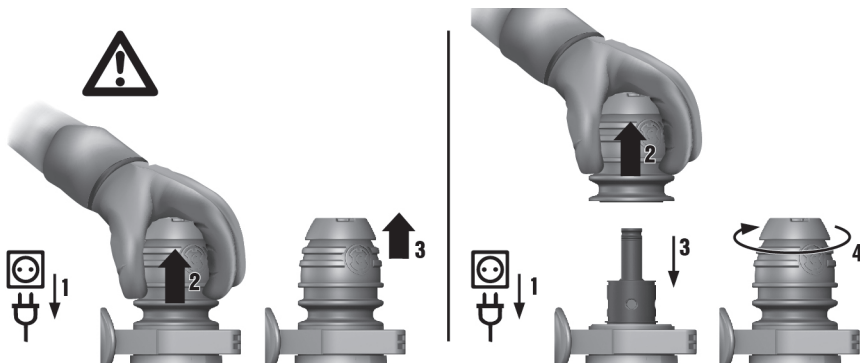
**Risk of injury.** The depth gauge, if fitted but not used, might hinder the operator.

- Remove the depth gauge from the product.



#### Note

The function selector switch should be set to the **T** “Chiseling” position when changing the chuck.



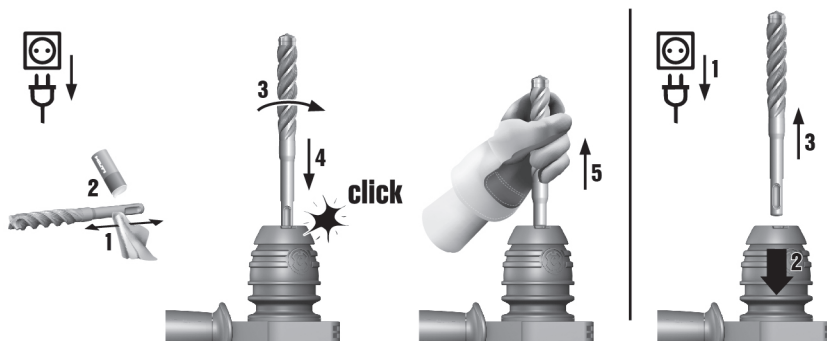
- Fit / remove the chuck.

### 5.1.3 Fitting / removing the accessory tool



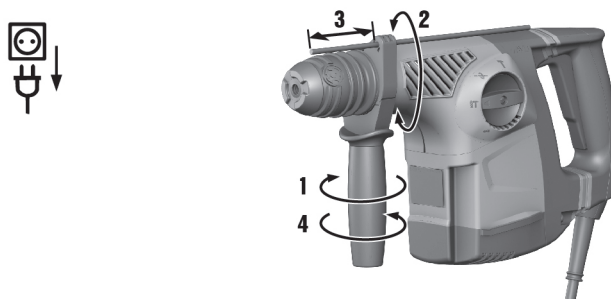
#### Note

Use of unsuitable grease may cause damage to the product. **Use only the recommended grease supplied by Hilti.**



- Fit the accessory tool or, respectively, remove it.

#### 5.1.4 Adjusting the depth gauge



- Adjust the depth gauge.

#### 5.2 Types of work



##### WARNING

**Risk of electric shock!** Severe injury and burns can result if any attempt is made to operate the tool without an earth/ground conductor and ground fault circuit interrupter correctly connected.

- Irrespective of whether mains power or generator power is used, always make sure that an earth/ground conductor and ground fault circuit interrupter are present in the power supply and that these are correctly connected.
- Do not use the product unless these safety measures are in place and fully operational.



##### WARNING

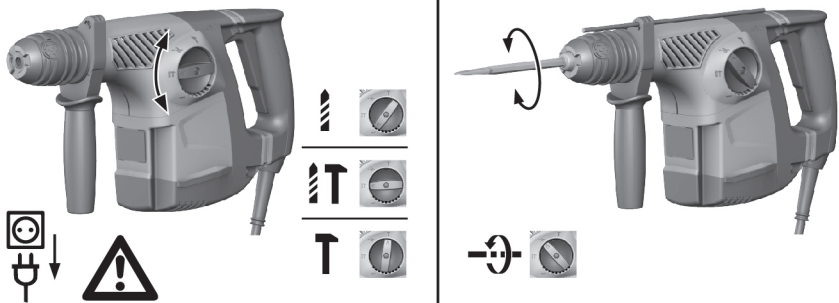
**A damaged supply cord presents a hazard!** Do not touch the supply cord or extension cord if damaged while working. Disconnect the supply cord plug from the power outlet.


- Check the appliance's supply cord at regular intervals and have it replaced by a qualified specialist if found to be damaged.

Full approval must be obtained from the site engineer or architect prior to beginning the work.

### 5.2.1 Drilling without hammer action

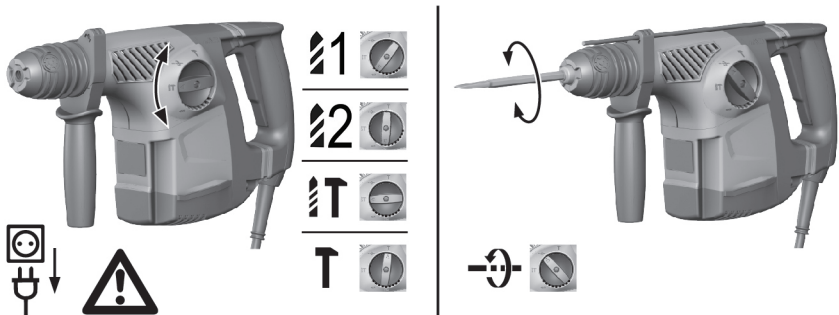
TE 30  
TE 30-AVR  
TE 30-C-AVR




- ▶ Set the function selector switch to the “Drilling without hammering” position .

### 5.2.2 Drilling without hammer action (1st gear)

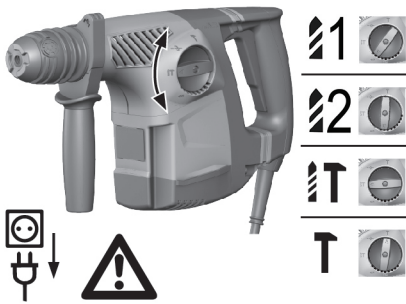
TE 30-M-AVR



- ▶ Set the function selector switch to the “Drilling without hammering” position .

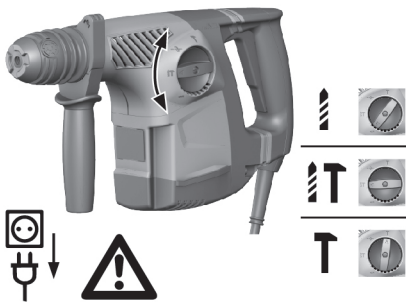
### 5.2.3 Drilling without hammer action (2nd gear)

TE 30-M-AVR



- ▶ Set the function selector switch to the “Drilling without hammering” position 2.

#### 5.2.4 Drilling with hammer action (hammer drilling)



- ▶ Set the function selector switch to the “Hammer drilling” position 3.

#### 5.2.5 Chisel positioning

TE 30-C-AVR  
TE 30-M-AVR



#### CAUTION

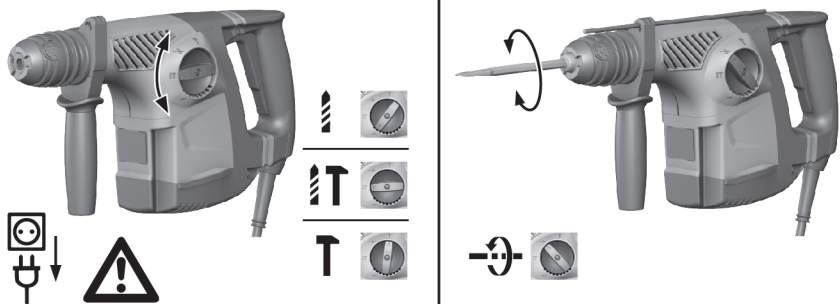
**Risk of injury!** Loss of control over the chisel direction.


- ▶ Do not operate the tool when the selector switch is set to “Chisel positioning”. Turn the function selector switch until it engages in the “Chiseling” position.



#### Note

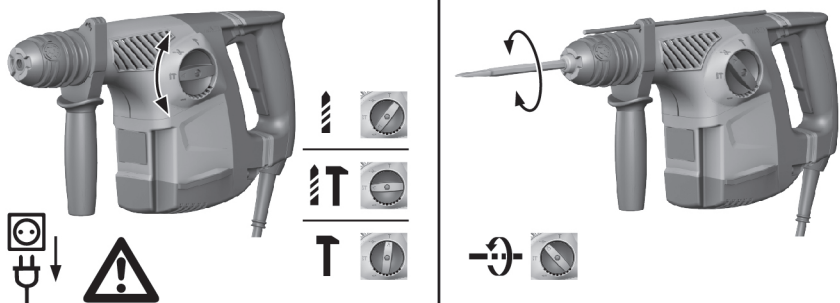
The chisel can be adjusted to 12 different positions (in 30° increments). This ensures that flat chisels and shaped chisels can always be set to the optimum working position.



- ▶ Set the function selector switch to the “Chisel positioning” position .

### 5.2.6 Chiseling

TE 30-C-AVR  
TE 30-M-AVR



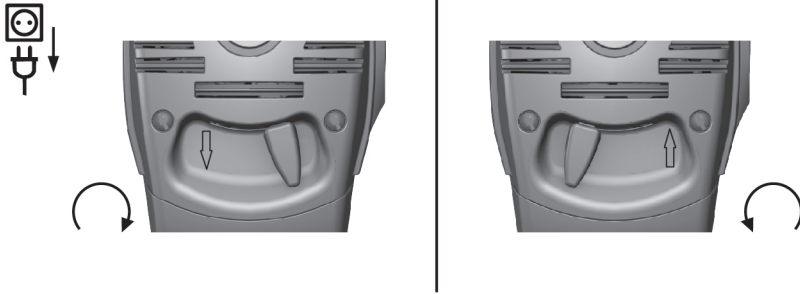
- ▶ Set the function selector switch to the “Chiseling” position .

### 5.2.7 Forward / reverse



**Note**

Operate the forward / reverse selector switch only when the motor has stopped.



- ▶ Set the forward / reverse selector switch to forward or reverse rotation.

## 6 Care and maintenance



### WARNING

**Danger of electric shock!** Carrying out care and maintenance while the supply cord is connected to the power outlet presents a risk of serious injuries including burns.

- ▶ Always unplug the supply cord before carrying out all care and maintenance tasks.

### Care

- Carefully remove stubborn dirt from the tool.
- Clean the air vents carefully with a dry brush.
- Use only a slightly damp cloth to clean the casing. Do not use cleaning agents containing silicone as they can attack the plastic parts.

### Maintenance



### WARNING

**Danger of electric shock!** Improper repairs to electrical components may lead to serious injuries including burns.

- ▶ Repairs to the electrical section of the tool or appliance may be carried out only by trained electrical specialists.

- At regular intervals, check all visible parts and the controls for signs of damage and make sure that they all function correctly.
- Do not operate the power tool if signs of damage are found or if parts malfunction. Have damage repaired immediately by **Hilti** Service.
- After cleaning and maintenance, refit all guards or protective devices and check that they function correctly.

## 7 Transport and storage







- Do not transport the power tool with an accessory tool installed.
- Always unplug the supply cord before storing the power tool.
- Store the power tool in a dry place, where it cannot be accessed by children or unauthorized persons.
- After prolonged transport or storage, check the power tool for damage.

## 8 Troubleshooting


If the trouble you are experiencing is not listed in this table or you are unable to remedy the problem by yourself, please contact **Hilti** Service.



## 8.1 Troubleshooting

Trouble or fault	Possible cause	Action to be taken
The power tool doesn't start.	Interruption in the electric supply.	▶ Plug in another electric tool or appliance and check whether it works.
	The carbon brushes are worn out.	▶ Have the power tool checked by a trained electrical specialist and the carbon brushes replaced if necessary.
The tool cuts out while running.	Drilling for too long at low speed.	▶ Release the control switch and then press it again.
No hammering action.	The tool is too cold.	▶ Bring the tip of the drill bit into contact with the working surface, switch the rotary hammer on and allow it to run. If necessary, repeat the procedure until the hammering mechanism begins to operate.
	The function selector switch is set to "Rotary drilling only"  .	▶ Set the function selector switch to the "Hammer drilling" position  .
The combihammer doesn't achieve full power.	The gauge (cross section) of the extension cord conductors is inadequate.	▶ Use an extension cord with an adequate conductor cross section.
	The control switch is not fully pressed.	▶ Press the control switch as far as it will go.
The drill bit does not rotate.	The function selector switch is not engaged or is in the  "Chiseling" or  "Chisel adjustment" position.	▶ Set the function selector switch to "Drilling without hammering"  or "Hammer drilling"  .
The drill bit cannot be released.	The chuck is not pulled back fully.	▶ Pull the chuck back as far as it will go and remove the accessory tool.
The drill bit makes no progress.	The tool has been set to reverse rotation.	▶ Set the tool to forward rotation.

## 9 Disposal

 Most of the materials from which **Hilti** tools and appliances are manufactured can be recycled. The materials must be correctly separated before they can be recycled. In many countries, your old tools, machines or appliances can be returned to **Hilti** for recycling. Ask **Hilti** Service or your Hilti representative for further information.



- ▶ Disposal of electric tools or appliances together with household waste is not permissible.

## 10 RoHS (Restriction of Hazardous Substances)

Click on the links to go to the table of hazardous substances: [qr.hilti.com/r4236](http://qr.hilti.com/r4236) (TE 30), [qr.hilti.com/r1833752](http://qr.hilti.com/r1833752) (TE 30-AVR), [qr.hilti.com/r4235](http://qr.hilti.com/r4235) (TE 30-C-AVR) and [qr.hilti.com/r4253](http://qr.hilti.com/r4253) (TE 30-M-AVR).

There is a link to the RoHS table, in the form of a QR code, at the end of this document.

## 11 Manufacturer's warranty

- ▶ Please contact your local **Hilti** representative if you have questions about the warranty conditions.





**Hilti Aktiengesellschaft**  
Feldkircherstraße 100  
9494 Schaan | Liechtenstein

<b>TE 30 (01)</b>	[2008]
<b>TE 30-AVR (01)</b>	[2008]
<b>TE 30-C-AVR (01)</b>	[2008]
<b>TE 30-M-AVR (01)</b>	[2008]

2006/42/EG

EN ISO 12100

2011/65/EU

EN 60745-1

2014/30/EU

EN 60745-2-6

Schaan, 05/2015

**Paolo Luccini**

Head of BA Quality and  
Process-Management  
BA Electric Tools & Accessories

**Tassilo Deinzer**

Executive Vice President  
BU Electric Tools & Accessories

TE 30



TE 30-AVR



TE 30-C-AVR



TE 30-M-AVR







Hilti Corporation

LI-9494 Schaan

Tel.: +423/234 21 11

Fax: +423/234 29 65

[www.hilti.group](http://www.hilti.group)

Hilti = registered trademark of Hilti Corp., Schaan

