

HILTI

TE 6-S

Operating instructions

en

Mode d'emploi

fr

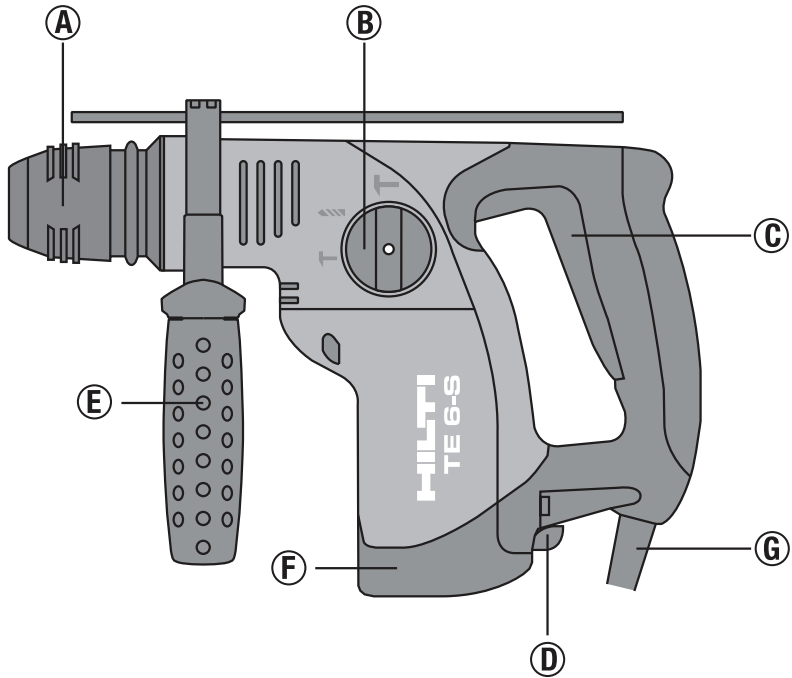
Manual de instrucciones

es

Manual de instruções

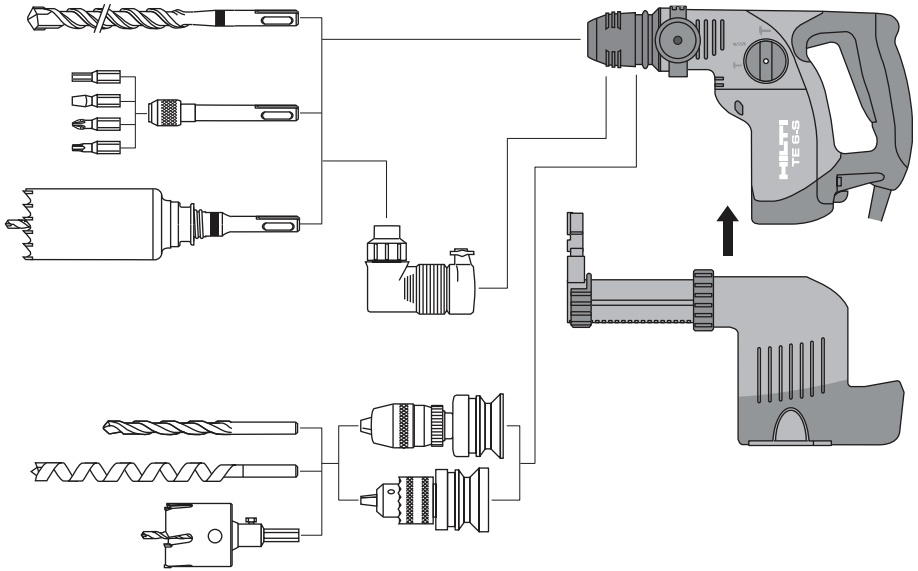
pt



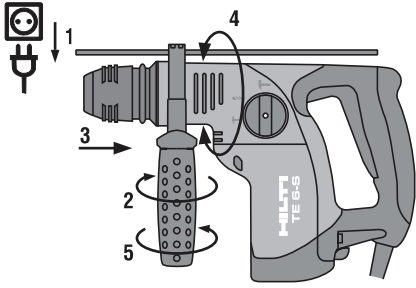


This Product is Certified
Ce produit est certifié
Este producto esta certificado
Este producto está certificado

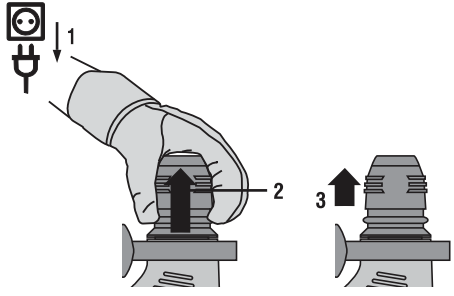




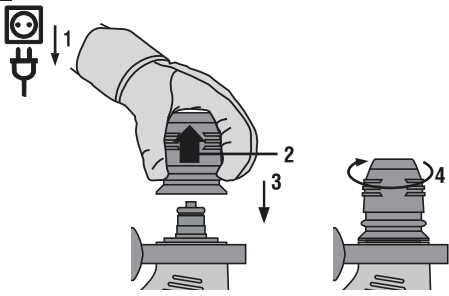
2



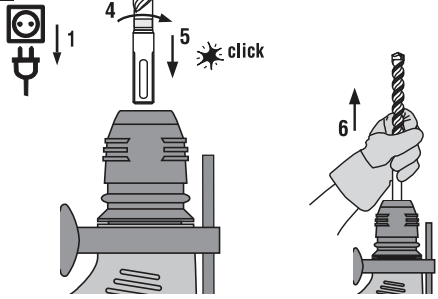
3



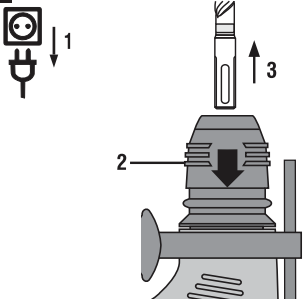
4



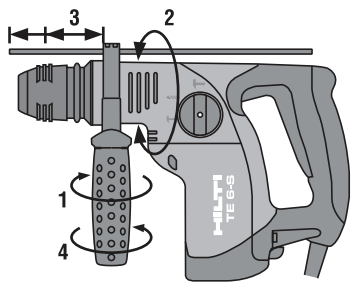
5



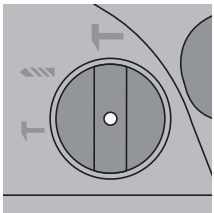
6



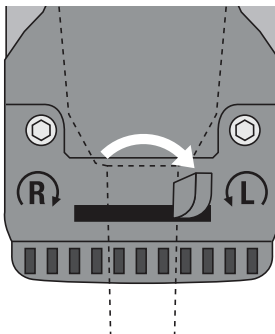
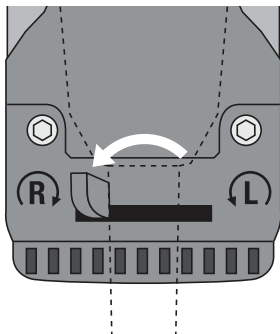
7



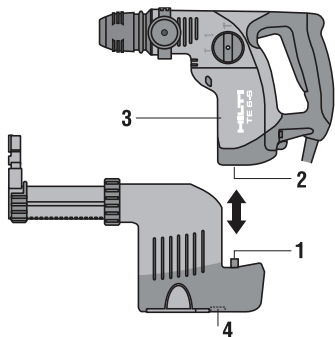
8



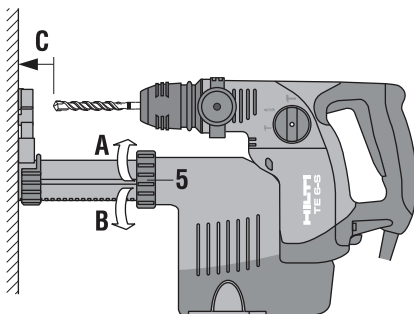
9



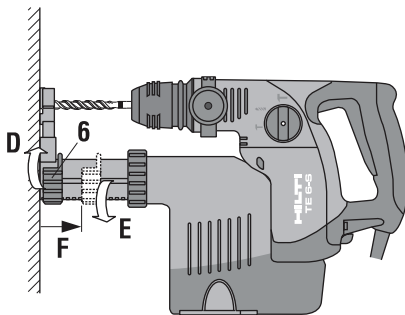
10



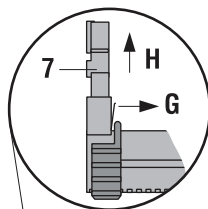
11



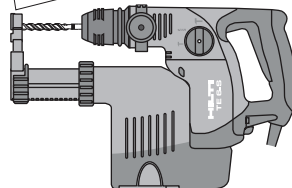
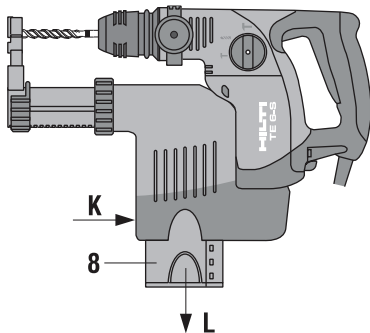
12



13



14



TE 6-S rotary hammer drill

en

It is essential that the operating instructions are read before the tool is operated for the first time.

Always keep these operating instructions together with the tool.

Ensure that the operating instructions are with the tool when it is given to other persons.

Operating controls and components 1

- A Chuck
- B Function selection switch
- C On/off switch
- D Forwards/reverse switch
- E Side handle with depth gauge
- F Connection for the dust removal module
- G Supply cord

Contents	Page
1. General information	1
2. Technical data	2
3. General safety rules	2
4. Specific safety rules and symbols	5
5. Functional description	5
6. Assembly	6
7. Operation	6
8. Care and maintenance	7
9. Accessories	8
10. Manufacturer's warranty – tools	9
11. Disposal	10
12. Troubleshooting	10

1. General information

1.1 Indication of danger

-CAUTION-

This word is used to draw attention to a potentially dangerous situation which could lead to minor personal injury or damage to the equipment or other property.

1.2 Pictograms

Warning signs



General warning



Warning: electricity



Warning: hot surface

Obligation signs



Wear eye protection



Wear breathing protection



Wear ear protection



Wear protective gloves

Symbols



Read the operating instructions before use.

1 These numbers refer to the corresponding illustrations. The illustrations can be found on the fold-out cover pages. Keep these pages open while studying the operating instructions.

In these operating instructions, the designation "the tool" always refers to the TE 6-S rotary hammer drill.

Location of identification data on the tool

The type designation and serial number can be found on the type plate on the tool. Make a note of this data in your operating instructions and always refer to it when making an enquiry to your Hilti representative or service department.

Type: _____

Serial no.: _____

2. Technical data

Tool	TE6-S
Rated power	650 W
Rated voltage	120 V
Rated current input	5.4 A
Mains frequency	50–60 Hz
Weight of tool	2.8 kg (6.3 lbs)
Dimensions (l×w×h)	320×215×75 mm (12.5×8.5×3.0")
No load speed	0–1160 r.p.m.
Hammering speed (full hammering action)	0–5100 1/min.
Hammering speed (reduced hammering action)	0–2700 1/min.
Single impact energy (full hammering action)	1.8 Nm (J)
Single impact energy (reduced hammering action)	0.6 Nm (J)
Drilling dia. range in concrete/masonry (hammer drill bits)	4–24 mm dia. (³ / ₁₆ "–1" dia.)
Drilling dia. range in wood (wood drill bits)	5–20 mm dia. (³ / ₁₆ "– ³ / ₄ " dia.)
Drilling dia. range in wood (hole saws)	25–68 mm dia. (1"–2 ⁵ / ₈ " dia.)
Drilling dia. range in metal (solid metal)	5–13 mm dia. (³ / ₁₆ "– ¹ / ₂ " dia.)
Drilling dia. range in metal (sheet metal, max. 2 mm [0.08"] thick)	5–22 mm dia. (³ / ₁₆ "– ⁷ / ₈ " dia.)
Drilling dia. range with thin-walled diamond core bits (reduced hammering action)	25–68 mm dia. (1"–2 ⁵ / ₈ " dia.)
Drilling performance in medium-hard concrete	8 mm dia. (⁵ / ₁₆ " dia.) = 28 cm ³ /min. 12 mm dia. (¹ / ₂ " dia.) = 45 cm ³ /min. 16 mm dia. (⁵ / ₈ " dia.) = 49 cm ³ /min.
Mechanical slip clutch	●
Vibration-absorbing grip and side handle	●

Right of technical modification reserved

3. General safety rules

3.1 General power tool safety warnings

WARNING! Read all safety warnings and all instructions. Failure to follow the warnings and instructions may result in electric shock, fire and/or serious injury. **Save all warnings and instructions for future reference.** The term "power tool" in the warnings refers to your mains-operated (corded) power tool or battery-operated (cordless) power tool.

SAVE THESE INSTRUCTIONS

3.1.1 Work area safety

- a) **Keep your work area clean and well lit.** Cluttered or dark areas invite accidents.

- b) **Do not operate power tools in explosive atmospheres, such as in the presence of flammable liquids, gases, or dust.** Power tools create sparks which may ignite the dust or fumes.
- c) **Keep children and bystanders away while operating a power tool.** Distractions can cause you to lose control.

3.1.2 Electrical safety

- a) **Power tool plugs must match the outlet. Never modify the plug in any way. Do not use any adapter plugs with earthed (grounded) power tools.** Unmodified plugs and matching outlets will reduce risk of electric shock.

- b) **Avoid body contact with earthed or grounded surfaces, such as pipes, radiators, ranges and refrigerators.** There is an increased risk of electric shock if your body is earthed or grounded.
- c) **Don't expose power tools to rain or wet conditions.** Water entering a power tool will increase the risk of electric shock.
- d) **Do not abuse the cord. Never use the cord for carrying, pulling or unplugging the power tool. Keep cord away from heat, oil, sharp edges or moving parts.** Damaged or entangled cords increase the risk of electric shock.
- e) **When operating a power tool outdoors, use an extension cord suitable for outdoor use.** Use of a cord suitable for outdoor use reduces the risk of electric shock.
- f) **If operating a power tool in a damp location is unavoidable, use a residual current device (RCD) protected supply.** Use of an RCD reduces the risk of electric shock.

3.1.3 Personal safety

- a) **Stay alert, watch what you are doing and use common sense when operating a power tool. Do not use a power tool while you are tired or under the influence of drugs, alcohol or medication.** A moment of inattention while operating power tools may result in serious personal injury.
- b) **Use personal protective equipment. Always wear eye protection.** Protective equipment such as dust mask, non-skid safety shoes, hard hat, or hearing protection used for appropriate conditions will reduce personal injuries.
- c) **Prevent unintentional starting. Ensure the switch is in the off-position before connecting to power source and/or battery pack, picking up or carrying the tool.** Carrying power tools with your finger on the switch or energising power tools that have the switch on invites accidents.
- d) **Remove any adjusting key or wrench before turning the power tool on.** A wrench or a key left attached to a rotating part of the power tool may result in personal injury.
- e) **Do not overreach. Keep proper footing and balance at all times.** This enables better control of the power tool in unexpected situations.
- f) **Dress properly. Do not wear loose clothing or jewellery. Keep your hair, clothing and gloves away from moving parts.** Loose clothes, jewellery or long hair can be caught in moving parts.
- g) **If devices are provided for the connection of dust extraction and collection facilities, ensure these are connected and properly used.** Use of dust collection can reduce dust-related hazards.

3.1.4 Power tool use and care

- a) **Do not force the power tool. Use the correct power tool for your application.** The correct power tool will do the job better and safer at the rate for which it was designed.
- b) **Do not use the power tool if the switch does not turn it on and off.** Any power tool that cannot be controlled with the switch is dangerous and must be repaired.
- c) **Disconnect the plug from the power source and/or the battery pack from the power tool before making any adjustments, changing accessories, or storing power tools.** Such preventive safety measures reduce the risk of starting the power tool accidentally.
- d) **Store idle power tools out of the reach of children and do not allow persons unfamiliar with the power tool or these instructions to operate the power tool.** Power tools are dangerous in the hands of untrained users.
- e) **Maintain power tools. Check for misalignment or binding of moving parts, breakage of parts and any other condition that may affect the power tool's operation. If damaged, have the power tool repaired before use.** Many accidents are caused by poorly maintained power tools.
- f) **Keep cutting tools sharp and clean.** Properly maintained cutting tools with sharp cutting edges are less likely to bind and are easier to control.
- g) **Use the power tool, accessories and tool bits etc. in accordance with these instructions, taking into account the working conditions and the work to be performed.** Use of the power tool for operations different from those intended could result in a hazardous situation.

3.1.5 Service

- a) **Have your power tool serviced by a qualified repair person using only identical replacement parts.** This will ensure that the safety of the power tool is maintained.

3.2 Additional safety instructions

3.2.1 Personal safety

- a) **Wear ear protectors.** Exposure to noise can cause hearing loss.
- b) **Use auxiliary handles supplied with the tool.** Loss of control can cause personal injury.
- c) **Hold power tools by insulated gripping surfaces when performing an operation where the cutting tool may contact hidden wiring or its own cord.** Contact with a "live" wire will make exposed metal parts of the tool "live" and shock the operator.

- d) **Keep the grips dry, clean and free from oil and grease.**
- e) **Breathing protection must be worn if the power tool is used without a dust removal system for work that creates dust.**
- f) **Improve the blood circulation in your fingers by relaxing your hands and exercising your fingers during breaks between working.**
- g) **Avoid touching rotating parts. Switch the power tool on only after bringing it into position at the workpiece.** Touching rotating parts, especially rotating insert tools, may lead to injury.
- h) **Always lead the supply cord and extension cord away from the power tool to the rear while working.** This helps to avoid tripping over the cord while working.
- i) **When using the power tool for mixing, set the function selector switch to “Hammer drilling” and wear protective gloves.**
- j) **Children must be instructed not to play with the tool.**
- k) **The tool is not intended for use by children, by debilitated persons or those who have received no instruction or training.**
- l) **WARNING: Some dust created by grinding, sanding, cutting and drilling contains chemicals known to cause cancer, birth defects, infertility or other reproductive harm; or serious and permanent respiratory or other injury.** Some examples of these chemicals are: lead from leadbased paints, crystalline silica from bricks, concrete and other masonry products and natural stone, arsenic and chromium from chemically treated lumber. Your risk from these exposures varies, depending on how often you do this type of work. **To reduce exposure to these chemicals, the operator and bystanders should work in a well-ventilated area, work with approved safety equipment, such as respiratory protection appropriate for the type of dust generated, and designed to filter out microscopic particles and direct dust away from the face and body. Avoid prolonged contact with dust. Wear protective clothing and wash exposed areas with soap and water.** Allowing dust to get into your mouth, eyes, or to remain on your skin may promote absorption of harmful chemicals.

3.2.2 Power tool use and care

- a) **Secure the workpiece. Use clamps or a vice to secure the workpiece.** The workpiece is thus held more securely than by hand and both hands remain free to operate the power tool.
- b) **Check that the insert tools used are compatible with the chuck system and that they are secured in the chuck correctly.**

3.2.3 Electrical safety



- a) **Before beginning work, check the working area (e.g. using a metal detector) to ensure that no concealed electric cables or gas and water pipes are present.** External metal parts of the power tool may become live, for example, when an electric cable is damaged accidentally. This presents a serious risk of electric shock.
- b) **Check the power tool's supply cord at regular intervals and have it replaced by a qualified specialist if found to be damaged. Check extension cords at regular intervals and replace them if found to be damaged. Do not touch the supply cord or extension cord if it is damaged while working. Disconnect the supply cord plug from the power outlet.** Damaged supply cords or extension cords present a risk of electric shock.
- c) **Dirty or dusty power tools which have been used frequently for work on conductive materials should be checked at regular intervals at a Hilti Service Center.** Under unfavorable circumstances, dampness or dust adhering to the surface of the power tool, especially dust from conductive materials, may present a risk of electric shock.
- d) **When working outdoors with an electric tool check to ensure that the tool is connected to the electric supply by way of a ground fault circuit interrupter (GFCI) with a rating of max. 30 mA (tripping current).** Use of a ground fault circuit interrupter reduces the risk of electric shock.
- e) **Use of a ground fault circuit interrupter (GFCI) with a maximum tripping current of 30 mA is recommended.**

3.2.4 Work area

- a) **Ensure that the workplace is well ventilated.** Exposure to dust at a poorly ventilated workplace may result in damage to the health.
- b) **If the work involves breaking right through, take the appropriate safety measures at the opposite side.** Parts breaking away could fall out and / or fall down and injure other persons.

3.2.5 Personal protective equipment



The user and any other persons in the vicinity must wear ANSI Z87.1-approved eye protection, a hard hat, ear protection, protective gloves and breathing protection while the power tool is in use.

4. Specific safety rules and symbols

4.1 Basic safety information

In addition to the safety precautions listed in the individual sections of these operating instructions, the following points must be strictly observed at all times.

4.2 Correct use

The tools are designed for drilling in concrete, masonry, plasterboard, wood and metal.

The tools are designed for use on construction sites, in workshops, for renovation, conversion and construction work.

4.3 Incorrect use (misuse)



Operate the tool only when connected to a mains supply with a voltage and frequency that complies with the information given on the name plate.

Manipulation or modification of the tool is not permissible.

Observe the information printed in the operating instructions concerning operation, care and maintenance.

4.4 State of the art

- The tool is designed and manufactured according to the state of the art.
- The tool and its ancillary equipment may present hazards when used incorrectly by untrained personnel or not as directed.

4.5 Proper arrangement and organisation of the workplace



- Wear non-slip shoes and always work from a secure stance.
- Avoid unfavourable body positions.
- Objects which could cause injury should be removed from the working area.

4.6 General hazards presented by the tool

- Always hold the tool securely with both hands.
- Hold the side handle tightly at its farthest end.
- Never leave the tool unsupervised.

4.6.1 Electrical hazards



- When working outdoors, use only extension cords that are approved and correspondingly marked for this application.

Extension Cord Table

Volts	Total Length of Cord in Feet			
	0-25	26- 50	51-100	101-150
120 V				
240 V	0-50	51-100	101-200	201-300

Ampere Rating AWG

More Than	Not More Than	AWG			
		18	16	14	12
0	6	18	16	16	14
6	10	18	16	14	12
10	12	16	16	14	12
12	16	14	12	Not recommended	

4.7 Requirements to be met by users

- The tool is intended for professional use.

Symbols used on the tool:

V	volts
~	alternating current
Hz	hertz
A	amperes
n ₀	no load speed
/min	revolutions per minute
∅	diameter
⊠	double insulated

5. Functional description

The TE 6-S rotary hammer drills with selectable pneumatic hammering mechanism are electrically-powered tools for drilling in concrete, masonry, plasterboard (dry-wall), wood, plastics and metal.

The tools are designed for professional use.

Chuck

- with rotary locking action
- Interface for TE-C chuck and keyless chuck

Switches

- Speed-control switch
- Function selection switch
TE6-S: 3 drilling functions
- Reversing switch (switch for forwards/reverse rotation)

Side handle

- Privoting side handle with depth gauge

Lubrication

- The gearing section and hammering mechanism feature permanent grease lubrication.

The items supplied as standard equipment include:

- Rotary hammer drill
- Privoting side handle with depth gauge
- Grease
- Operating instructions
- Toolbox
- DRS dust-removal module (with version in the professional toolbox)
- Cleaning cloth

6. Assembly



en The tool must not be connected to the electric mains supply.

6.1 Fit the side handle 2

1. Release the side handle clamp by turning the side handle grip.
2. Slide the side handle / clamping band over the chuck onto the housing (clamping groove).
3. Turn the side handle into the desired position.
4. Secure the side handle by twisting its grip.

6.2 Removing the chuck 3

CAUTION

Remove the depth gauge from the side handle and the insert tool from the chuck in order to avoid injury.

1. Disconnect the supply cord plug from the power outlet.
2. Pull the chuck sleeve forward and hold it securely.
3. Remove the chuck by pulling it away from the power tool.

6.3 Fitting the chuck 4

CAUTION

Remove the depth gauge from the side handle and the insert tool from the chuck in order to avoid injury.

1. Disconnect the supply cord plug from the power outlet.
2. Grip the chuck sleeve, pull it forward and hold it securely in this position.
3. Slide the chuck onto the guide tube from the front and then release the sleeve.
4. Rotate the chuck until it is heard to engage.

7. Operation





The side handle must always be fitted when the tool is in use.

Use clamps or a vice to secure loose workpieces.



If extension cords are used: Only extension cords of a type approved for the intended use and of adequate cross section may be used. Failure to observe this point may result in reduced performance of the tool and overheating of the cord. Damaged extension cords must be replaced.

At low temperatures: The tool requires to reach a minimum operating temperature before the hammering mechanism begins to operate. Switch on the tool and position the tip of the drill bit on the work surface. While the tool is running, apply light pressure briefly and repeatedly until the hammering mechanism begins to operate.

	-CAUTION-
	<ul style="list-style-type: none">■ The insert tool may become hot during use.■ You may burn your hands.■ Wear protective gloves when changing insert tools.

7.1 Fitting the insert tool 5

CAUTION

Wear protective gloves when changing the insert tool.

1. Disconnect the supply cord plug from the power outlet.
2. Check that the connection end of the insert tool is clean and lightly greased. Clean it and grease it if necessary.
3. Check that the sealing lip of the dust shield is clean and in good condition. Clean the dust shield if necessary or replace it if the sealing lip is found to be damaged (please refer to the "Care and maintenance" section).
4. Push the insert tool into the chuck and rotate it while applying slight pressure until it engages in the guide grooves.
5. Push the insert tool further into the chuck until it is heard to engage.
6. Check that the insert tool has engaged correctly by pulling it.

7.2 Removing the insert tool 6

CAUTION




Wear protective gloves when changing insert tools as the insert tool will get hot during use.


1. Disconnect the supply cord plug from the power outlet.
2. Open the chuck by pulling back the chuck release sleeve.
3. Pull the insert tool out of the chuck.


7.3 Adjusting the depth gauge 7

1. Open the side handle clamp by turning the grip.
2. Pivot the side handle into the desired position.
3. Adjust the depth gauge to the desired drilling depth "X".
4. Secure the side handle by turning the side handle grip.


7.4 Hammer drilling with full hammering action

-CAUTION-	
  	<ul style="list-style-type: none">■ The material may splinter during drilling.■ Splintering material may injure parts of the body and the eyes.■ Wear eye protection, protective gloves and, if a dust removal system is not used, also wear breathing protection.


-CAUTION-	
	<ul style="list-style-type: none">■ The tool and the drilling operation emit noise.■ Excessive noise may damage the hearing.■ Wear ear protection.

1. Plug in the supply cord.
2. Turn the switch to the "()" position.
3. Position the tip of the drill bit where the hole is to be drilled.
4. Press the control switch slowly (drill at a slow speed until the drill bit has become centred in the hole).
5. Press the control switch as far as it will go when you wish to continue at full speed.
6. Do not apply excessive pressure as this will not increase hammering power. Lower pressure increases the life of the insert tool.
7. When drilling a through hole, avoid spalling by reducing speed shortly before breaking through.



7.5 Hammer drilling with reduced hammering power

1. Plug in the supply cord.
2. Turn the switch to the "()" position.
3. Position the tip of the drill bit where the hole is to be drilled.
4. Press the control switch slowly (drill at a slow speed until the drill bit has become centred in the hole).
5. Press the control switch as far as it will go when you wish to continue at full speed.
6. When working on critical materials, spalling can be reduced by using TE-C drill bits in new condition in conjunction with reduced hammering action.

7.6 Drilling without hammering action

1. Plug in the supply cord.
2. Turn the switch to the "()" position. When the switch is in this position, only the rotary action is transferred to the insert tool.
3. Press the control switch slowly (drill at a slow speed until the drill bit has become centred in the hole).
4. Press the control switch as far as it will go when you wish to continue at full speed.

7.7 Forwards / reverse rotation

1. Turn the lever to the (L ) or position (R ).

8. Care and maintenance

Unplug the supply cord.

8.1 Care of insert tools

Remove any dirt adhering to the surface of the insert tools and protect them from corrosion by rubbing them with an oily cloth from time to time.

8.2 Care of the tool

CAUTION

Keep the power tool, especially its grip surfaces, clean and free from oil and grease. Do not use cleaning agents which contain silicone.

The outer casing of the power tool is made from impact-resistant plastic. Sections of the grip are made from a synthetic rubber material.

Never operate the power tool when the ventilation slots are blocked. Clean the ventilation slots carefully using a dry brush. Do not permit foreign objects to enter the interior of the power tool. Clean the outside of the power tool at regular intervals with a slightly damp cloth. Do not use a spray, steam pressure cleaning equipment or running water for cleaning. This may negatively affect the electrical safety of the power tool.

8.3 Maintenance

Check all external parts of the tool for damage at regular intervals and check that all controls operate faultlessly. Do not operate the tool when parts are damaged or when the controls do not operate faultlessly. If necessary, have the tool repaired at a Hilti service centre.

Electrical parts of the tool may be repaired only by trained electrical specialists.

8.4 Checking the tool after care and maintenance

After all care and maintenance work, the tool must be checked to ensure that all safety equipment is fitted and that it operates faultlessly.

en

9. Insert tools and accessories

TE-C chuck	●	
TE-C angular chuck	●	
TE-AC 1 angular chuck	●	
Hammer drill bits	4–24 mm dia.	($3/16$ "–1" dia.)
Bit holder	●	
Thin-barrel core bits	25–68 mm dia.	(1"– $2^{5/8}$ " dia.)
Keyless chuck (quick release)	●	
Drill bits for wood	5–20 mm dia.	($3/16$ "– $3/4$ " dia.)
Drill bits for metal	5–13 mm dia.	($3/16$ "– $1/2$ " dia.)
Stepped (stop) drill bits	5–22 mm dia.	($3/16$ "– $5/8$ " dia.)
Hole saws	25–68 mm dia.	(1"– $2^{5/8}$ " dia.)
DRS dust removal module	●	

9.1 DRS dust removal module

9.1.1 General information

Location of identification data on the tool

The type designation and serial number can be found on the type plate on the tool. Make a note of this data in your operating instructions and always refer to it when making an enquiry to your Hilti representative or service department.

Type: _____ Serial no.: _____

9.1.2 Description

The DRS dust removal module is an accessory for the TE-6 rotary hammer drill. It can be attached to the rotary hammer drill quickly and easily. The dust removal module is not suitable for chiselling work or for rotary drilling in metal.

9.1.3 Technical data

Power input	Max. 60 W
Suction performance	500 l/min
Weight	0.9 kg (2.03 lbs)
Maximum effective stroke	105 mm (4.1")
TE-C hammer drill bit diameter range (l/cm):	4–16 mm dia. ($3/16$ "– $5/8$ " dia.)
Drill bit working length	50–100 mm (2–4")
Contact pressure	15–25 N
Dust container capacity	
6 mm ($1/4$ " dia. / 28 mm (1.1") deep	130 holes
8 mm ($5/16$ " dia. / 30 mm (1.2") deep	75 holes
12 mm ($1/2$ " dia. / 50 mm (2") deep	20 holes
Dust container regeneration cycles	Up to 100 cycles
Extraction head	4–16 mm dia. ($3/16$ "– $5/8$ " dia.)
Extraction fan, dust container with folded filter, depth gauge, length stop, plug-type connection	

9.1.4 Before use

Attaching the dust removal module

The extraction fan incorporated in the dust removal module is driven by the motor of the rotary hammer drill by way of a plug-type coupling. The teeth on the rotor shaft (1) mesh with the teeth on the sleeve (2) of the dust removal module drive shaft.

1. Unplug the supply cord.
2. Push the dust removal module along the guide (3) on the rotary hammer drill until it engages securely in place.

Removing the dust module

1. Unplug the supply cord.
2. Press the release latch (4) and hold it in this position.

3. Pull the dust module downwards away from the rotary hammer drill.

9.1.5 Operation

Length adjustment (setting the stroke)

The stroke is normally set to TE-C drill bit $l_t = 150$ mm (6"). This corresponds to an effective working length of 100 mm. The stroke must be adjusted if shorter drill bits are used.

1. Open (A) the locking ring (5).
2. With the drill bit fitted in the chuck, press the tool against the wall until the tip of the drill bit comes into contact with the wall (C).
3. Close (B) the locking ring (5).

Setting the drilling depth (depth gauge)

1. Open (D) the end stop (6).
2. Slide the end stop to the desired drilling depth (F).
3. Close (E) the end stop (6).

When holes are to be drilled to a precise depth, e.g. for setting anchors, the hole depth must be checked by drilling test holes.

Changing the suction head

1. Pull back the rib (G) on the rear of the suction head (7).
2. Pull the old suction head upwards out of the guide (H).
3. Press the new suction head into the guide until it engages.

Emptying the dust container

1. Hold the tool horizontally and allow it to run for a short time. This will cause any remaining dust particles in the dust removal module to be sucked into the dust container.
2. Press the button and hold it in this position (K).
3. Pull the dust container (8) downwards out of the dust removal module (L).
4. Empty the dust container by tapping it lightly.
5. Slide the empty dust container into the dust module from below until it engages in position. If you are inserting a new dust container, remove the protective cover before inserting it.

9.1.6 Care and maintenance

Use only compressed air and a cloth to clean the dust removal module. Do not use water, oil, grease or cleaning agents.

10. Manufacturer's warranty – tools

Hilti warrants that the tool supplied is free of defects in material and workmanship. This warranty is valid so long as the tool is operated and handled correctly, cleaned and serviced properly and in accordance with the Hilti Operating Instructions, and the technical system is maintained. This means that only original Hilti consumables, components and spare parts may be used in the tool.

This warranty provides the free-of-charge repair or replacement of defective parts only over the entire lifespan of the tool. Parts requiring repair or replacement as a result of normal wear and tear are not covered by this warranty.

Additional claims are excluded, unless stringent national rules prohibit such exclusion. In particular, Hilti is not obligated for direct, indirect, incidental or consequential damages, losses or expenses in connection with, or by reason of, the use of, or inability to use the tool for any purpose. Implied warranties of merchantability or fitness for a particular purpose are specifically excluded.

For repair or replacement, send tool or related parts immediately upon discovery of the defect to the address of the local Hilti marketing organization provided.

This constitutes Hilti's entire obligation with regard to warranty and supersedes all prior or contemporaneous comments and oral or written agreements concerning warranties.

11. Disposal



Most of the materials from which Hilti power tools are manufactured can be recycled. The materials must be correctly separated before they can be recycled. In many countries, Hilti has already made arrangements for taking back your old electric tools for recycling. Please ask your Hilti customer service department or Hilti sales representative for further information.

12. Troubleshooting

Fault	Possible cause	Remedy
The tool doesn't start.	No power from the mains supply.	Plug in another electric tool or appliance and check whether it works.
	Supply cord or plug is defective.	Have it checked by an electrical specialist and replaced if necessary.
	The control switch is defective.	Have it checked by an electrical specialist and replaced if necessary.
No hammering action.	The tool is too cold.	Allow the tool to warm up to the operating temperature (see section "Operation").
	Function selection switch set to rotary drilling only.	Set the function selection switch to hammer drilling.
The tool doesn't achieve full performance.	The cross-section of the extension cord is inadequate.	Use an extension cord with adequate conductor cross-section (see section "Operation").
	The control switch is not pressed as far as it will go.	Press the control switch as far as it will go.
	The function selection switch is set to reduced hammering action.	Set the function selection switch to hammer drilling.
	The reversing switch is set to counter-clockwise rotation.	Set the reversing switch to clockwise rotation.
The drill bit can't be released.	The chuck is not pulled back fully.	Pull the chuck back as far as it will go and remove the insert tool.

NOTICE ORIGINALE

Perforateur TE 6-S

Avant de mettre en marche l'appareil, lire absolument son mode d'emploi.

Le présent mode d'emploi doit toujours accompagner l'appareil.

Ne prêter ou céder l'appareil à quelqu'un d'autre qu'en lui fournissant aussi le mode d'emploi.

Éléments de commande 1

- A Mandrin
- B Sélecteur de fonction
- C Interrupteur Marche/Arrêt
- D Inverseur du sens de rotation gauche/droite
- E Poignée latérale avec jauge de profondeur
- F Raccord pour module dépoussiéreur
- G Cordon

Sommaire	Page
1. Consignes générales	11
2. Caractéristiques techniques	12
3. Consignes de sécurité	12
4. Règles de sécurité particulières et symboles	15
5. Description du fonctionnement de l'appareil	16
6. Mise en marche	16
7. Utilisation	16
8. Nettoyage et entretien	18
9. Outils et accessoires	18
10. Garantie constructeur des appareils	20
11. Recyclage	20
12. Guide de dépannage	20

1. Consignes générales

1.1 Mot signalant un danger

ATTENTION

Ce mot est utilisé pour attirer l'attention sur une situation potentiellement dangereuse qui pourrait conduire à de légères blessures corporelles ou à des dégâts matériels.

1.2 Pictogrammes

Symboles d'avertissement



Avertissement: danger général!



Avertissement: tension électrique dangereuse!



Avertissement: surface très chaude!

Symboles d'obligation



Porter des lunettes de protection!



Porter un masque respiratoire léger!



Porter un casque antibruit!



Porter des gants de protection!

Symbole



Avant d'utiliser l'appareil, lire son mode d'emploi!

1 Ces chiffres renvoient aux illustrations correspondant au texte, qui se trouvent sur les pages rabattables précédentes. Pour lire le mode d'emploi, rabattre ces pages de manière à voir les illustrations.

Dans le texte du présent mode d'emploi, le terme «appareil» désigne toujours le perforateur TE 6-S.

Emplacement des détails d'identification sur l'appareil

La désignation du modèle et le numéro de série de votre appareil figurent sur sa plaquette signalétique. Inscrivez ces renseignements dans votre mode d'emploi et référez-vous y toujours pour communiquer avec notre représentation ou votre agence Hilti.

Modèle:

N° de série:

2. Caractéristiques techniques

Appareil	TE6-S
Puissance absorbée nominale:	650 W
Tension nominale:	120 V
Intensité nominale:	5,4 A
Fréquence du secteur:	50–60 Hz
Poids de l'appareil:	2,8 kg (6,3 lbs)
Dimensions (L×l×h):	320×215×75 mm (12,5×8,5×3,0")
Vitesse de rotation:	0–1160 t/mn
Cadence de percussion (100 %):	0–5100 coups/mn
Cadence de percussion (fine):	0–2700 coups/mn
Énergie libérée par coup (percussion 100 %):	1,8 Nm (J)
Énergie libérée par coup (percussion fine):	0,6 Nm (J)
Plage de perçage dans le béton/la maçonnerie (mèche béton):	∅ 4–24 mm (³ / ₁₆ "–1")
Plage de perçage dans le bois: mèche à bois:	∅ 5–20 mm (³ / ₁₆ "– ³ / ₄ ")
Plage de perçage dans le bois: scie-cloche:	∅ 25–68 mm (1"–2 ⁵ / ₈ ")
Plage de perçage dans les métaux: métaux pleins:	∅ 5–13 mm (³ / ₁₆ "– ¹ / ₂ ")
Plage de perçage dans les métaux: tôle de 2 mm d'épaisseur max.	∅ 5–22 mm (³ / ₁₆ "– ⁷ / ₈ ")
Plage de perçage avec une mèche-couronne pour parois minces (percussion fine):	∅ 25–68 mm (1"–2 ⁵ / ₈ ")
Rendement en perçage dans du béton de dureté moyenne:	∅ 8 mm (⁵ / ₁₆ ") = 28 cm ³ /mn ∅ 12 mm (¹ / ₂ ") = 45 cm ³ /mn ∅ 16 mm (⁵ / ₈ ") = 49 cm ³ /mn
Limiteur de couple mécanique:	●
Poignée principale et poignée latérale antivibratiles:	●

Sous réserve de toutes modifications techniques!

3. Consignes de sécurité

3.1 Consignes de sécurité générales relatives aux outils électroportatifs

AVERTISSEMENT ! Lire toutes les indications de sécurité et instructions. Le non-respect des indications de sécurité et instructions peut entraîner un choc électrique, un incendie et / ou de graves blessures sur les personnes. **Conservez soigneusement l'ensemble de ces indications de sécurité et instructions pour pouvoir au besoin les consulter ultérieurement.** La notion d'« outil électroportatif » mentionnée dans les indications de sécurité se rapporte à des outils électriques raccordés au secteur (avec câble de raccordement) et à des outils électriques à batterie (sans câble de raccordement).

CONSERVEZ CES INSTRUCTIONS!

3.1.1 Sécurité de la place de travail

- a) **Maintenez l'endroit de travail propre et bien éclairé.** Un lieu de travail en désordre et mal éclairé augmente le risque d'accidents.

- b) **N'utilisez pas l'appareil dans un environnement présentant des risques d'explosion et où se trouvent des liquides, des gaz ou poussières inflammables.** Les outils électroportatifs génèrent des étincelles risquant d'enflammer les poussières ou les vapeurs.
- c) **Tenez les enfants et autres personnes éloignés durant l'utilisation de l'outil électroportatif.** En cas d'inattention vous risquez de perdre le contrôle de l'appareil.

3.1.2 Sécurité relative au système électrique

- a) **La fiche de secteur de l'outil électroportatif doit être appropriée à la prise de courant. Ne modifiez en aucun cas la fiche. N'utilisez pas de fiches d'adaptateur avec des appareils avec mise à la terre.** Les fiches non modifiées et les prises de courant appropriées réduisent le risque de choc électrique.
- b) **Évitez le contact physique avec des surfaces mises à la terre tels que tuyaux, radiateurs, cuisinières et réfrigérateurs.** Il y a un risque élevé de choc électrique au cas où votre corps serait relié à la terre.

- c) **N'exposez pas l'outil électroportatif à la pluie ou à l'humidité.** La pénétration d'eau dans un outil électroportatif augmente le risque d'un choc électrique.
- d) **N'utilisez pas le câble à d'autres fins que celles prévues, n'utilisez pas le câble pour porter l'appareil ou pour l'accrocher ou encore pour le débrancher de la prise de courant. Maintenez le câble éloigné des sources de chaleur, des parties grasses, des bords tranchants ou des parties de l'appareil en rotation.** Un câble endommagé ou torsadé augmente le risque d'un choc électrique.
- e) **Au cas où vous utiliseriez l'outil électroportatif à l'extérieur, utilisez une rallonge adaptée aux applications extérieures.** L'utilisation d'une rallonge électrique homologuée pour les applications extérieures réduit le risque d'un choc électrique.
- f) **Si l'utilisation de l'outil électroportatif dans un environnement humide ne peut pas être évitée, un interrupteur différentiel de protection contre les courants de défaut doit être utilisé.** L'utilisation d'un interrupteur différentiel de protection contre les courants de défaut réduit le risque d'une décharge électrique.

3.1.3 Sécurité des personnes

- a) **Restez vigilant, surveillez ce que vous faites. Faites preuve de bon sens en utilisant l'outil électroportatif. N'utilisez pas l'appareil lorsque vous êtes fatigué ou après avoir consommé de l'alcool, des drogues ou avoir pris des médicaments.** Un moment d'inattention lors de l'utilisation de l'appareil peut entraîner de graves blessures sur les personnes.
- b) **Portez des équipements de protection. Portez toujours des lunettes de protection.** Le fait de porter des équipements de protection personnels tels que masque anti-poussière, chaussures de sécurité antidérapantes, casque de protection ou protection acoustique suivant le travail à effectuer, réduit le risque de blessures.
- c) **Évitez de mettre l'appareil en marche par mégarde. Assurez-vous que l'appareil est arrêté avant de le brancher à la prise de courant et/ou au bloc-accu, de l'enlever ou de le porter.** Le fait de porter l'appareil avec le doigt sur l'interrupteur ou de brancher l'appareil à la prise de courant lorsque l'interrupteur est en position de fonctionnement peut entraîner des accidents.
- d) **Enlevez tout outil de réglage ou toute clé avant de mettre l'appareil en fonctionnement.** Une clé ou un outil se trouvant sur une partie en rotation peut causer des blessures.
- e) **Éviter toute posture anormale. Veillez à garder toujours une position stable et équilibrée.** Ceci

vous permet de mieux contrôler l'appareil dans des situations inattendues.

- f) **Portez des vêtements appropriés. Ne portez pas de vêtements amples ni de bijoux. Maintenez cheveux, vêtements et gants éloignés des parties de l'appareil en rotation.** Des vêtements amples, des bijoux ou des cheveux longs peuvent être happés par des pièces en mouvement.
- g) **Si des dispositifs servant à aspirer ou à recueillir les poussières doivent être utilisés, vérifiez que ceux-ci soient effectivement raccordés et qu'ils sont correctement utilisés.** L'utilisation d'un dispositif servant à recueillir les poussières peut réduire les dangers dus aux poussières.

3.1.4 Utilisation et entretien de l'outil électroportatif

- a) **Ne surchargez pas l'appareil. Utilisez l'outil électroportatif approprié au travail à effectuer.** Avec l'outil électroportatif approprié, vous travaillerez mieux et avec plus de sécurité à la vitesse pour laquelle il est prévu.
- b) **N'utilisez pas un outil électroportatif dont l'interrupteur est défectueux.** Un outil électroportatif qui ne peut plus être mis en ou hors fonctionnement est dangereux et doit être réparé.
- c) **Retirez la fiche de la prise de courant et/ou enlevez le bloc-accu avant d'effectuer des réglages sur l'appareil, de changer les accessoires, ou de ranger l'appareil.** Cette mesure de précaution empêche le démarrage inopiné de l'appareil.
- d) **Gardez les outils électroportatifs non utilisés hors de portée des enfants. Ne permettez pas l'utilisation de l'appareil à des personnes qui ne se sont pas familiarisées avec celui-ci ou qui n'ont pas lu ces instructions.** Les outils électroportatifs sont dangereux lorsqu'ils sont utilisés par des personnes non initiées.
- e) **Prenez soin des outils électroportatifs. Vérifiez que les parties en mouvement fonctionnent correctement et qu'elles ne soient pas coincées, et contrôlez si des parties sont cassées ou endommagées de telle sorte que le bon fonctionnement de l'appareil s'en trouve entravé. Faites réparer les parties endommagées avant d'utiliser l'appareil.** De nombreux accidents sont dus à des outils électroportatifs mal entretenus.
- f) **Maintenez les outils de coupe aiguisés et propres.** Des outils soigneusement entretenus avec des bords tranchants bien aiguisés se coincent moins souvent et peuvent être guidés plus facilement.
- g) **Utilisez les outils électroportatifs, les accessoires, les outils à monter, etc. conformément à**

ces instructions, en tenant compte des conditions de travail et du travail à effectuer. L'utilisation des outils électroportatifs à d'autres fins que celles prévues peut entraîner des situations dangereuses.

3.1.5 Service

- a) **Ne faites réparer l'outil électroportatif que par un personnel qualifié et seulement avec des pièces de rechange d'origine.** Ceci permet d'assurer la sécurité de l'appareil.

3.2 Consignes de sécurité supplémentaires

3.2.1 Sécurité des personnes

- a) **Portez un casque antibruit.** Le bruit peut entraîner des pertes auditives.
- b) **Utilisez la poignée supplémentaire livrée avec l'appareil.** La perte de contrôle peut entraîner des blessures.
- c) **Tenir fermement l'appareil par les poignées isolées, lors d'interventions dans des zones où l'outil de coupe risque d'entrer en contact avec des câbles ou gaines électriques cachés, ou son propre câble d'alimentation.** En cas de contact avec un câble conducteur ou une gaine conductrice, les pièces métalliques non isolées sont mises sous tension et l'utilisateur reçoit un choc électrique.
- d) **Veiller à ce que les poignées soient toujours sèches, propres et exemptes de traces de graisse et d'huile.**
- e) **Si l'appareil fonctionne sans dispositif d'aspiration de la poussière et si le travail effectué dégage de la poussière, porter un masque respiratoire léger.**
- f) **Faire régulièrement des pauses et des exercices de relaxation et de massage des doigts pour favoriser l'irrigation sanguine dans les doigts.**
- g) **Éviter de toucher des pièces en rotation. Brancher l'appareil uniquement dans l'espace de travail.** Le fait de toucher des pièces en rotation, en particulier des outils en rotation, risque d'entraîner des blessures.
- h) **Pendant le travail, toujours tenir le câble d'alimentation réseau et de rallonge à l'arrière de l'appareil.** Ceci permet d'éviter tout risque de chute en trébuchant sur le câble pendant le travail.
- i) **Pour mélanger, régler le sélecteur de fonction sur la position "Perçage avec percussion" et porter des gants de protection.**
- j) **Avertir les enfants et veiller à ce qu'ils ne jouent pas avec l'appareil.**

- k) **L'appareil n'est pas destiné à être utilisé par des enfants ou des personnes affaiblies sans encadrement.**

- l) **AVERTISSEMENT : Certains types de poussières générées par ébarbage, meulage, tronçonnage et perçage contiennent des substances chimiques, connues pour être cancérigènes, qui risquent d'entraîner des malformations congénitales, une infertilité, des lésions permanentes des voies respiratoires ou d'autres natures.** Quelques-unes de ces substances chimiques sont le plomb contenu dans les peintures au plomb, le quartz cristallin provenant des briques, du béton, de la maçonnerie ou de pierres naturelles, ou encore l'arsenic ou le chrome provenant de bois de construction traités chimiquement. Les risques pour l'utilisateur varient en fonction de la fréquence de ces travaux. **Afin de réduire la charge de ces substances chimiques, l'utilisateur et les tierces personnes doivent travailler dans une pièce bien ventilée et utiliser les équipements de sécurité homologués. Porter un masque respiratoire adapté au type de poussière déterminé, qui filtre les particules microscopiques et permet d'éviter tout contact de la poussière avec le visage ou le corps. Éviter tout contact prolongé avec la poussière. Porter des vêtements de protection et laver à l'eau et au savon la portion de peau qui a été en contact avec la poussière.** L'absorption de poussières par la bouche ou les yeux, ou le contact prolongé des poussières avec la peau, risque de favoriser l'absorption de substances chimiques nocives pour la santé.

3.2.2 Utilisation et emploi soigneux de l'outil électroportatif

- a) **Bien fixer la pièce. Pour ce faire, utiliser un dispositif de serrage ou un étau, pour maintenir la pièce travaillée en place.** Elle sera ainsi mieux tenue qu'à la main, et les deux mains restent alors libres pour commander l'appareil.
- b) **Vérifier que les outils sont bien munis du système d'emmanchement adapté à l'appareil et qu'ils sont toujours correctement verrouillés dans le porte-outil.**

3.2.3 Sécurité relative au système électrique



- a) **Avant d'entamer le travail, vérifier, par exemple à l'aide d'un détecteur de métaux, qu'il n'y a pas de câbles ou gaines électriques, tuyaux de gaz ou d'eau cachés dans la zone d'intervention.** Toutes pièces métalliques extérieures de l'appareil peuvent devenir conductrices, par exemple, lorsqu'un câble électrique est endom-

magé par inadvertance. Cela peut entraîner un grave danger d'électrocution.

- b) **Contrôler régulièrement les câbles de raccordement de l'appareil et les faire remplacer par un spécialiste s'ils sont endommagés. Contrôler régulièrement les câbles de rallonge et les remplacer s'ils sont endommagés. Si le câble d'alimentation réseau ou de rallonge est endommagé pendant le travail, ne pas le toucher. Débrancher la fiche de la prise.** Les cordons d'alimentation et câbles de rallonge endommagés représentent un danger d'électrocution.
- c) **Si le travail s'effectue souvent sur des matériaux conducteurs, faire réviser les appareils encrassés par le S.A.V. Hilti à intervalles réguliers.** Dans de mauvaises conditions d'utilisation, la poussière collée à la surface de l'appareil, surtout la poussière de matériaux conducteurs, ou l'humidité, peut entraîner une électrocution.
- d) **Lorsqu'un appareil électrique est utilisé en plein air, s'assurer que l'appareil est raccordé au réseau par le biais d'un interrupteur de protection contre les courants de court-circuit (GFCI) avec un courant de déclenchement maximal de 30 mA.** L'utilisation d'un tel interrupteur de protection réduit le risque d'une décharge électrique.
- e) **Par principe, il est recommandé d'utiliser un interrupteur de protection contre les courants de court-circuit (GFCI) avec un courant de déclenchement maximal de 30 mA.**

3.2.4 Place de travail

- a) **Veiller à ce que la place de travail soit bien ventilée.** Des places de travail mal ventilées peuvent nuire à la santé du fait de la présence excessive de poussière.
- b) **Lors de travaux d'ajourage, protéger l'espace du côté opposé aux travaux.** Des morceaux de matériaux risquent d'être éjectés et / ou de tomber, et de blesser d'autres personnes.

3.2.5 Équipement de protection individuel



L'utilisateur et les personnes se trouvant à proximité pendant l'utilisation de l'appareil doivent porter des lunettes de protection adaptées homologuées selon ANSI Z87.1, un casque de protection, un casque antibruit, des gants de protection et un masque respiratoire léger.

4. Règles de sécurité particulières et symboles

4.1 Consignes de sécurité fondamentales

Outre les consignes techniques de sécurité indiquées dans les différents chapitres du présent mode d'emploi, il y a lieu de toujours respecter strictement les directives suivantes.

4.2 Utilisation conforme à l'usage prévu

Les appareils sont destinés à percer le béton, la maçonnerie, le plâtré, le bois et les métaux. Les appareils sont conçus pour être utilisés sur les chantiers, dans les ateliers, pour tous travaux de rénovation, de transformation ou pour tous travaux neufs.

4.3 Utilisation abusive



Ne faire fonctionner l'appareil qu'à la tension et à la fréquence du secteur indiquées sur sa plaquette signalétique. Toutes manipulations ou modifications sur l'appareil sont interdites.

Bien respecter les indications concernant le fonctionnement, le nettoyage et l'entretien de l'appareil qui figurent dans le présent mode d'emploi.

4.4 Etat de la technique

- L'appareil est conçu et fabriqué d'après l'état le plus récent de la technique.
- L'appareil et ses accessoires peuvent être dangereux s'ils sont utilisés incorrectement par du personnel non formé ou de manière non conforme à l'usage prévu.

4.5 Aménagement correct du poste de travail



- Porter des chaussures antidérapantes et toujours veiller à garder votre équilibre.
- Éviter toute mauvaise posture.
- Débarrasser le poste de travail de tous objets avec lesquels vous pourriez vous blesser.

4.6 Dangers généraux dus à l'appareil

- Toujours tenir fermement l'appareil des deux mains.
- Tenir la poignée latérale fermement par le bout.
- Ne jamais laisser un appareil hors de votre surveillance.

4.6.1 Dangers électriques



- A l'extérieur, n'utiliser que des câbles de rallonges homologués et identifiés en conséquence.

Tableau des longueurs de cordons

Volts	Longueur totale de cordon en pieds			
120 V	0-25	26- 50	51-100	101-150
240 V	0-50	51-100	101-200	201-300

Ampérage		Grosseur de fil			
Plus de	Pas plus de				
0	6	18	16	16	14
6	10	18	16	14	12
10	12	16	16	14	12
12	16	14	12	Déconseillé	

● Si le cordon (ou la rallonge) est abîmé(e) lors du travail, ne plus le (la) toucher. Débrancher l'appareil.

● **Tenez l'outil par ses surfaces de prise isolées pendant toute opération où l'outil de coupe pourrait venir en contact avec un câblage dissimulé ou avec son propre cordon.** En cas de contact avec un conducteur sous tension, les pièces métalliques à découvert de l'outil transmettraient un choc électrique à l'utilisateur.

4.7 Exigences concernant l'utilisateur

● L'appareil est destiné à des utilisateurs professionnels.

Symboles utilisés sur l'appareil:

V	Volts
~	courant alternatif
Hz	Hertz
A	Ampères
n_0	vitesse à vide
/min	tours par minute
∅	diamètre
⊠	double isolation

5. Description du fonctionnement de l'appareil

Les perforateurs TE6-S avec mécanisme de percussion pneumatique commutable, sont des appareils électroportatifs destinés à percer dans le béton, la maçonnerie, le placoplâtre (cloisons sèches), le bois, les plastiques et les métaux. Les deux types d'appareils sont destinés aux professionnels.

Mandrins:

- verrouillage par rotation
- système d'échange rapide du mandrin TE-C ou du mandrin autoserrant

Interrupteur, sélecteur et inverseur:

- interrupteur de commande avec variateur électronique de vitesse intégré
- sélecteur de fonction
TE6-S: 3 fonctions perçage
- inverseur du sens de rotation gauche/droite

Poignée latérale :

- poignée latérale orientable sur 360° avec jauge de profondeur

Graissage :

- lubrification permanente à la graisse de l'engrenage et du mécanisme de percussion

Équipement standard fourni:

- perforateur
- poignée latérale orientable sur 360° avec jauge de profondeur

- graisse
- mode d'emploi
- coffret de transport
- module dépoussiéreur DRS (en plus dans le coffret pour professionnels)
- chamoisette

6. Mise en marche



L'appareil ne doit pas être branché sur le secteur.

6.1 Montage de la poignée latérale 2

1. Débloquer la poignée latérale en la tournant par sa partie préhensile.
2. Faire glisser la poignée latérale (bande de serrage) contre le boîtier (rainure de serrage) par dessus le mandrin.
3. Orienter la poignée latérale jusqu'à la position désirée.
4. Bloquer la poignée latérale en la tournant par sa partie préhensile.

6.2 Retrait du mandrin 3

ATTENTION

Retirer la butée de profondeur de la poignée latérale et l'outil du mandrin pour éviter tout risque de blessures.

1. Débrancher la fiche de la prise.
2. Tirer la douille du mandrin vers l'avant et la maintenir fermement.
3. Enlever le mandrin vers l'avant.

6.3 Pose du mandrin 4

ATTENTION

Retirer la butée de profondeur de la poignée latérale et l'outil du mandrin pour éviter tout risque de blessures.

1. Débrancher la fiche de la prise.
2. Saisir la douille du mandrin, la tirer vers l'avant et la maintenir fermement.
3. Déplacer le mandrin de l'avant sur le cône intérieur et relâcher la douille.
4. Tourner le mandrin jusqu'à ce qu'il s'encliquette avec un « clic » audible.

7. Utilisation





Toujours utiliser l'appareil avec sa poignée latérale montée. Pour bloquer les pièces, utiliser un dispositif de serrage ou un étiau.



Si vous avez besoin de rallonges, n'utiliser que des câbles de section suffisante, agréés pour l'utilisation prévue,

afin d'éviter toute perte de puissance dans l'appareil et toute surchauffe du câble. Si la température extérieure est basse, l'appareil doit atteindre une température de fonctionnement minimale avant que le mécanisme de percussion ne s'enclenche. Mettre en marche l'appareil, l'appuyer brièvement contre le support et le laisser tourner à vide. Le réappuyer ensuite contre le support jusqu'à ce que le mécanisme de percussion s'enclenche.

 	- ATTENTION -
	<ul style="list-style-type: none"> ■ Lors de son utilisation, l'outil peut s'échauffer. ■ Vous pouvez vous brûler les mains ■ Pour changer d'outil, utiliser des gants de protection.

7.1 Mise en place de l'outil 5

ATTENTION

Utiliser des gants de protection pour changer d'outil.

1. Débrancher la fiche de la prise.
2. Vérifier si l'emmanchement de l'outil est bien propre et légèrement graissé. Le nettoyer et le graisser si nécessaire.
3. Vérifier que la lèvres d'étanchéité de la protection anti-poussière est bien propre et en bon état. Nettoyer la protection anti-poussière si nécessaire ou, si la lèvres d'étanchéité est endommagée, remplacer la protection anti-poussière (voir chapitre "Nettoyage et entretien").
4. Introduire l'outil dans le mandrin et le tourner en le serrant légèrement, jusqu'à ce qu'il s'encliquette dans les rainures de guidage.
5. Pousser l'outil dans le mandrin jusqu'à ce qu'il s'encliquette avec un « clic » audible.
6. Vérifier que l'outil est bien serré dans le dispositif de verrouillage en tirant dessus.

7.2 Enlèvement de l'outil 6

ATTENTION




Se munir de gants de protection pour changer d'outil, car l'appareil peut être très chaud après utilisation.


1. Débrancher la fiche de la prise.
2. Ouvrir le mandrin en tirant vers l'arrière le dispositif de verrouillage de l'outil.
3. Tirer l'outil hors du mandrin.

7.3 Réglage de la jauge de profondeur 7

1. Débloquer la poignée latérale en la tournant par sa partie préhensile.
2. Orienter la poignée latérale jusque dans la position désirée.
3. Régler la jauge de profondeur jusqu'à obtenir la profondeur de perçage "X" désirée.
4. Bloquer la poignée latérale en la tournant par sa partie préhensile.

7.4 Perçage en percussion 100% 8

  	- ATTENTION -
	<ul style="list-style-type: none"> ■ Le perçage peut entraîner des éclats. ■ A cause de ces éclats, vous risquez de vous blesser, aux yeux notamment. ■ Si vous n'utilisez pas le module dépoussiéreur, utiliser des lunettes et des gants de protection ainsi qu'un masque respiratoire léger.

	- ATTENTION -
	<ul style="list-style-type: none"> ■ L'appareil et le perçage sont bruyants. ■ Le niveau sonore, s'il est trop important, peut entraîner des lésions auditives. ■ Utiliser un casque antibruit.

1. Brancher l'appareil.
2. Tourner le sélecteur jusqu'en position Symbole (☰).
3. Positionner la mèche à l'endroit où vous voulez percer le trou.
4. Actionner lentement l'interrupteur de commande (travailler à vitesse lente jusqu'à ce que la mèche se centre toute seule dans le trou).
5. Appuyer à fond sur l'interrupteur pour continuer de travailler à plein régime.
6. Ne pas appuyer exagérément l'appareil contre la surface, cela n'augmente en rien le rendement en percussion. Réduire un peu la pression d'appui: la mèche durera plus longtemps.
7. Pour éviter tout éclat lors du perçage d'un trou traversant, il est nécessaire de réduire la vitesse de rotation juste avant le transperçement.

7.5 Perçage en percussion fine (TE6-S) 8

1. Brancher l'appareil.
2. Tourner le sélecteur jusqu'en position Symbole (☰).
3. Positionner la mèche à l'endroit où vous voulez percer le trou.
4. Actionner lentement l'interrupteur de commande (travailler à vitesse lente jusqu'à ce que la mèche se centre toute seule dans le trou).
5. Appuyer à fond sur l'interrupteur pour continuer de travailler à plein régime.
6. Dans un matériau support friable ou difficile, il est préférable d'utiliser une mèche TE-C neuve et de percer en percussion fine pour éviter tout éclat.

7.6 Perçage sans la percussion 8

1. Brancher l'appareil.
2. Tourner le sélecteur jusqu'en position Symbole (☰). Dans cette position, l'arbre transmet seulement le mouvement de rotation à l'outil.

3. Actionner lentement l'interrupteur de commande (travailler à vitesse lente jusqu'à ce que la mèche se centre toute seule dans le trou).
4. Appuyer à fond sur l'interrupteur pour continuer de travailler à plein régime

7.7 Inversion du sens de rotation gauche/droite

1. Tourner le levier de sélection jusqu'en position Symbole (L↶) «pour les gauchers» ou (R↷) «pour les droitiers».

8. Nettoyage et entretien

Débrancher l'appareil.

8.1 Nettoyage des outils

Enlever toutes traces de saletés ou tous résidus et bien protéger la surface de vos outils de la corrosion en les frottant à l'occasion avec un chiffon imbibé d'huile.

8.2 Nettoyage de l'appareil

ATTENTION

Tenir l'appareil, en particulier les surfaces de préhension, sec, propre et exempt d'huile et de graisse. Ne pas utiliser de nettoyeurs à base de silicone.

La coque extérieure du boîtier de l'appareil est fabriquée en plastique résilient. La partie préhensible est en élastomère.

Ne jamais faire fonctionner l'appareil si ses ouïes d'aération sont bouchées ! Les nettoyer avec précaution au moyen d'une brosse sèche. Éviter toute pénétration de corps étrangers à l'intérieur de l'appareil. Nettoyer régulièrement l'extérieur de l'appareil avec un chiffon légèrement humide. N'utiliser ni pulvérisateur, ni appareil à jet de vapeur, ni eau courante pour nettoyer l'appareil, afin de garantir sa sûreté électrique.

8.3 Entretien

Vérifier régulièrement toutes les pièces extérieures de l'appareil pour voir si elles ne sont pas abîmées et tous les éléments de commande pour établir s'ils fonctionnent bien. Ne pas utiliser l'appareil si des pièces sont abîmées ou si des éléments de commande ne fonctionnent pas parfaitement. Faire réparer l'appareil par le S.A.V. Hilti. Toutes réparations de la partie électrique de l'appareil ne doivent être effectuées que par un électricien qualifié.

8.4 Contrôle après tous travaux de nettoyage et d'entretien

Après tous travaux de nettoyage et d'entretien, il est nécessaire de vérifier si tous les équipements de protection sont bien en place et fonctionnent parfaitement.

9. Outils et accessoires

Mandrin TE-C	●	
Mandrin renvoi d'angle TE-C	●	
Mandrin renvoi d'angle TE-AC 1	●	
Mèche béton	∅ 4–24 mm	(∅ $\frac{3}{16}$ "–1")
Porte-embout	●	
Mèche-couronne pour parois minces	∅ 25–68 mm	(∅ 1"–2 $\frac{5}{8}$ ")
Mandrin autoserrant	●	
Mèche à bois	∅ 5–20 mm	(∅ $\frac{3}{16}$ "– $\frac{3}{4}$ ")
Foret métaux	∅ 5–13 mm	(∅ $\frac{3}{16}$ "– $\frac{1}{2}$ ")
Foret étagé	∅ 5–22 mm	(∅ $\frac{3}{16}$ "– $\frac{5}{8}$ ")
Scie-cloche	∅ 25–68 mm	(∅ 1"–2 $\frac{5}{8}$ ")
Module dépoussiéreur DRS	●	

9.1 Module dépoussiéreur DRS

9.1.1 Consignes générales

Emplacement des détails d'identification sur l'appareil

La désignation du modèle et le numéro de série de votre appareil figurent sur sa plaquette signalétique. Inscrivez ces renseignements dans votre mode d'emploi et référez-vous y toujours pour communiquer avec notre représentation ou votre agence Hilti.

Modèle:

N° de série:

9.1.2 Description

Le module dépoussiéreur DRS est utilisé comme accessoire du perforateur TE6 . Il se fixe rapidement et simplement sur le perforateur. Le module dépoussiéreur ne convient ni pour les travaux de burinage, ni pour les perçages en rotation seule (sans la percussion) dans les métaux.

9.1.3 Caractéristiques techniques

Puissance absorbée:	60 W max.	
Débit d'aspiration:	500 l/mn	
Poids:	0,9 kg	(2.03 lbs)
Course utile max.:	105 mm	(4.1")
Mèche béton TE-C utilisable (l/cm):	Ø 4–16 mm	(Ø 3/16"–5/8")
Longueur utile de la mèche:	50–100 mm	(2–4")
Effort d'appui:	15–25 N	
Capacité du réservoir à poussière:		
Ø 6 mm (1/4") / 28 mm (1.1") profondeur de perçage:	130 trous	
Ø 8 mm (5/16") / 30 mm (1.2") profondeur de perçage:	75 trous	
Ø 12 mm (1/2") / 50 mm (2") profondeur de perçage:	20 trous	
Nombre de cycles de régénération du réservoir à poussière:	100 max.	
Tête d'aspiration:	Ø 4–16 mm	(Ø 3/16"–5/8")

Ventilateur d'aspiration, réservoir à poussière avec filtre à plis, jauge de profondeur, butée de longueur, raccord enfichable

9.1.4 Mise en marche

Montage du module dépoussiéreur 10

Le ventilateur d'aspiration intégré dans le module dépoussiéreur est entraîné par le moteur de l'appareil par l'intermédiaire d'un raccord enfichable. La denture de l'arbre du rotor (1) s'engrène dans la douille dentée (2) de l'arbre du module dépoussiéreur.

1. Débrancher l'appareil.
2. Enfoncer le module dépoussiéreur sur l'appareil le long du guide (3) jusqu'à ce qu'il se clipse.

Démontage du module dépoussiéreur 10

1. Débrancher l'appareil.
2. Appuyer sur le cliquet de déverrouillage (4) et le tenir enfoncé.
3. Enlever le module dépoussiéreur de l'appareil par le bas.

9.1.5 Utilisation

Réglage de la longueur (course) 11

Normalement, la course est réglée sur la longueur de la mèche TE-C l = 150 mm qui correspond à une longueur utile effective de 100 mm. Si la mèche est plus courte, il est nécessaire de régler la course.

1. Ouvrir (A) l'anneau de verrouillage (5).
2. Appuyer l'appareil, avec la mèche emmanchée dans le mandrin, contre le mur jusqu'à ce que la mèche le touche (C).
3. Refermer (B) l'anneau de verrouillage (5).

Réglage de la profondeur de perçage (jauge de profondeur) 12

1. Ouvrir (D) la butée (6).
2. Déplacer la butée jusqu'à la profondeur de perçage voulue (F).

3. Refermer (E) la butée (6).

Pour percer p. ex. des trous de chevilles à une profondeur précise, il est nécessaire de percer des trous d'essais pour déterminer exactement leur profondeur.

Remplacement de la tête d'aspiration 13

1. Ramener la rainure (G) à l'arrière de la tête d'aspiration (7).
2. Sortir l'ancienne tête d'aspiration du guide (H) par le haut.
3. Enfoncer la tête d'aspiration neuve dans le guide jusqu'à ce qu'elle se clipse.

Vidage du réservoir à poussière 14

1. Tenir l'appareil horizontalement et le faire fonctionner un court instant pour enlever tous les résidus de poussière qui se sont accumulés dans le module dépoussiéreur et se trouvent ainsi aspirés dans le réservoir à poussière.
2. Appuyer sur le bouton et le tenir enfoncé (K).
3. Retirer le réservoir à poussière (8) du module dépoussiéreur (L) vers le bas.
4. Vider le réservoir à poussière en le secouant légèrement.
5. Remettre le réservoir à poussière vide dans le module dépoussiéreur par le bas jusqu'à ce qu'il se clipse. En cas d'utilisation d'un réservoir à poussière neuf, il est nécessaire d'enlever le couvercle de protection avant de remettre le réservoir.

9.1.6 Nettoyage et entretien

Pour nettoyer le module dépoussiéreur, utiliser de l'air comprimé et un chiffon uniquement. N'utiliser ni eau, ni huile, ni graisse, ni produit de nettoyage.

10. Garantie constructeur des appareils

Hilti garantit l'appareil contre tout vice de matières et de fabrication. Cette garantie s'applique à condition que l'appareil soit utilisé et manipulé, nettoyé et entretenu correctement, en conformité avec le mode d'emploi Hilti, et que l'intégrité technique soit préservée, c'est-à-dire sous réserve de l'utilisation exclusive de consommables, accessoires et pièces de rechange d'origine Hilti.

Cette garantie se limite strictement à la réparation gratuite ou au remplacement gracieux des pièces défectueuses pendant toute la durée de vie de l'appareil. Elle ne couvre pas les pièces soumises à une usure normale.

Toutes autres revendications sont exclues pour autant que des dispositions légales nationales impératives

ne s'y opposent pas. En particulier, Hilti ne saurait être tenu pour responsable de toutes détériorations, pertes ou dépenses directes, indirectes, accidentelles ou consécutives, en rapport avec l'utilisation ou dues à une incapacité à utiliser l'appareil dans quelque but que ce soit. Hilti exclut en particulier les garanties implicites concernant l'utilisation et l'aptitude dans un but bien précis.

Pour toute réparation ou tout échange, renvoyer l'appareil ou les pièces concernées au réseau de vente Hilti compétent, sans délai, dès constatation du défaut.

La présente garantie couvre toutes les obligations d'Hilti et annule et remplace toutes les déclarations antérieures ou actuelles, de même que tous accords oraux ou écrits concernant des garanties.

11. Recyclage



Les appareils Hilti sont, pour la plus grande partie, fabriqués en matériaux recyclables qui doivent être, bien sûr, correctement triés au préalable. Dans de nombreux pays, Hilti est déjà équipé pour reprendre votre ancien appareil afin de le faire recycler. Demandez à votre conseiller de vente Hilti ou à notre Service-Clients Hilti.

12. Guide de dépannage

Défauts	Causes possibles	Comment y remédier
L'appareil ne fonctionne plus.	Alimentation électrique interrompue	Brancher un autre appareil électrique, vérifier s'il fonctionne.
	Fiche ou cordon défectueux	Les faire vérifier et, éventuellement, remplacer par un électricien qualifié.
	Interrupteur de commande défectueux	Le faire vérifier et, éventuellement, remplacer par un électricien qualifié.
Absence de percussion	L'appareil est trop froid.	Réchauffer l'appareil jusqu'à une température minimale de fonctionnement (voir Utilisation)
	Sélecteur de fonction sur «Perçage en rotation seule»	Commuter le sélecteur de fonction sur «Perçage en percussion».
L'appareil ne fonctionne pas à plein régime.	La section du câble de rallonge est trop faible.	Utiliser un câble de rallonge de section suffisante (voir Utilisation).
	L'interrupteur de commande n'est pas enfoncé à fond.	Enfoncer l'interrupteur à fond.
	Le sélecteur de fonction est sur percussion fine.	Positionner le sélecteur de fonction sur Perçage en percussion.
	L'inverseur du sens de rotation gauche/droite lors du perçage est sur «Rotation à gauche».	Positionner l'inverseur sur «Rotation à droite».
La mèche ne sort pas du dispositif de verrouillage.	Le mandrin n'est pas complètement ouvert.	Retirer le dispositif de verrouillage de l'outil jusqu'à la butée et sortir l'outil.

TE 6-S Martillos perforadores

Lea este manual de instrucciones antes de poner en servicio la herramienta.

Conserve este manual de instrucciones siempre cerca de la herramienta.

Nunca entregue la herramienta a otras personas sin el manual de instrucciones.

Elementos de manejo 1

- A Portaútiles
- B Selector de funcionamiento
- C Interruptor de apagado y encendido
- D Interruptor derecha/izquierda
- E Asa lateral con tope de profundidad
- F Conexión para el módulo de polvo
- G Cable de alimentación

Índice	Página
1. Indicaciones generales	21
2. Datos técnicos	22
3. Indicaciones des seguridad	22
4. Instrucciones de seguridad y símbolos	25
5. Descripción	26
6. Puesta en funcionamiento	26
7. Manejo	26
8. Cuidado y mantenimiento	28
9. Herramientas y accesorios	28
10. Garantía del fabricante de las herramientas	29
11. Eliminación	30
12. Solución de problemas	30

1. Indicaciones generales

1.1 Señal de peligro

-PRECAUCIÓN-

En situaciones potencialmente peligrosas, que podría acarrear lesiones leves o daños a los objetos.

es

1.2 Pictogramas:

Señales de advertencia



Advertencia de peligro en general



Advertencia de tensión eléctrica peligrosa



Advertencia de superficie caliente

Señales prescriptivas



Utilice protección para los ojos



Utilice protección respiratoria ligera



Utilice protección para los oídos



Utilice guantes de seguridad

Símbolos



Antes de su utilización, lea el manual de instrucciones

1 Los números se refieren siempre a las ilustraciones. Estas ilustraciones se encuentran en las páginas desplegadas. Manténgalas abiertas mientras estudia el manual de instrucciones. En el texto de este manual de instrucciones, "la herramienta" siempre se refiere a la TE 6-S.

Ubicación de los datos identificativos de la herramienta

La denominación del modelo y el distintivo de serie se indican en la placa de identificación de su herramienta. Traslade estos datos a su manual de instrucciones y menciónelos siempre que consulte a nuestro representante o al punto de servicio.

Modelo:

Nº de serie:

2. Datos técnicos

Herramienta	TE6-S
Consumo nominal de potencia	650 W
Tensión nominal	120 V
Intensidad nominal	5,4 A
Frecuencia de la red	50–60 Hz
Peso de la herramienta	2,8 kg (6,3 lbs)
Dimensiones (longitud × anchura × altura)	320×215×75 mm (12,5×8,5×3,0")
Velocidad	0–880 r.p.m.
Número de impactos (percusión completa)	0–5100 1/min
Número de impactos (percusión fina)	0–2700 1/min
Energía por impacto (percusión completa)	1,8 Nm (J)
Energía por impacto (percusión fina)	0,6 Nm (J)
Área de perforación en hormigón/muro (perforaciones de percusión)	∅ 4–24 mm ($\frac{3}{16}$ "–1")
Área de perforación en madera: Perforadora completa	∅ 5–20 mm ($\frac{3}{16}$ "– $\frac{3}{4}$ ")
Área de perforación en madera: Sierra de punta	∅ 25–68 mm (1"–2 $\frac{5}{8}$ ")
Área de perforación en metal: Metal completo	∅ 5–13 mm ($\frac{3}{16}$ "– $\frac{1}{2}$ ")
Área de perforación en metal: chapa máx. 2 mm grueso	∅ 5–22 mm ($\frac{3}{16}$ "– $\frac{7}{8}$ ")
Área de perforación de corona de perforación para paredes delgadas (percusión fina)	∅ 25–68 mm (1"–2 $\frac{5}{8}$ ")
Rendimiento de perforación en hormigón semiduro	∅ 8 mm ($\frac{5}{16}$ ") = 28 cm ³ /min ∅ 12 mm ($\frac{1}{2}$ ") = 45 cm ³ /min ∅ 16 mm ($\frac{5}{8}$ ") = 49 cm ³ /min
Acoplamiento de encaje mecánico	●
Asa amortiguadora de las vibraciones y asa lateral	●

A reserva de modificaciones técnicas

3. Indicaciones de seguridad

3.1 Indicaciones generales de seguridad para herramientas eléctricas

¡Advertencia! Lea con atención todas las instrucciones e indicaciones de seguridad. En caso de no respetar las instrucciones e indicaciones de seguridad que se describen a continuación, podría producirse una descarga eléctrica, incendio y/o lesiones graves. **Conserve todas las instrucciones e indicaciones de seguridad para futuras consultas.** En lo sucesivo, el concepto "herramienta eléctrica" hace referencia a las herramientas eléctricas (con cable de red) que funcionan con red y a las herramientas eléctricas (sin cable de red) que funcionan con batería.

CONSERVE ESTAS INSTRUCCIONES

3.1.1 Seguridad en el puesto de trabajo

- a) **Mantenga su área de trabajo limpia y bien iluminada.** El desorden o una iluminación deficiente de las zonas de trabajo pueden provocar accidentes.

- b) **No utilice la herramienta en un entorno con peligro de explosión, en el que se encuentren combustibles líquidos, gases o material en polvo.** Las herramientas eléctricas producen chispas que pueden llegar a inflamar los materiales en polvo o vapores.
- c) **Mantenga alejados a los niños y otras personas de su puesto de trabajo al emplear la herramienta eléctrica.** Una distracción le puede hacer perder el control sobre la herramienta.

3.1.2 Seguridad eléctrica

- a) **El enchufe de la herramienta debe corresponder a la toma de corriente utilizada. No está permitido modificar el enchufe en forma alguna. No utilice enchufes adaptadores para las herramientas con puesta a tierra.** Los enchufes sin modificar adecuados a las respectivas tomas de corriente reducen el riesgo de descarga eléctrica.
- b) **Evite el contacto corporal con superficies que tengan puesta a tierra, como pueden ser tubos, calefacciones, cocinas y frigoríficos.** El riesgo a quedar expuesto a una descarga eléctrica es mayor si su cuerpo tiene contacto con el suelo.

- c) **No exponga las herramientas eléctricas a la lluvia y evite que penetren líquidos en su interior.** El riesgo de recibir descargas eléctricas aumenta si penetra agua en la herramienta eléctrica.
- d) **No utilice el cable de red para transportar o colgar la herramienta ni tire de él para extraer el enchufe de la toma de corriente. Mantenga el cable de red alejado de fuentes de calor, aceite, aristas afiladas o piezas móviles de la herramienta.** Los cables de red dañados o enredados pueden provocar descargas eléctricas.

- e) **Cuando trabaje al aire libre con una herramienta eléctrica, utilice exclusivamente un alargador adecuado para exteriores.** La utilización de un cable alargador adecuado para su uso en exteriores reduce el riesgo de una descarga eléctrica.
- f) **Cuando no pueda evitarse el uso de la herramienta en un entorno húmedo, utilice un interruptor de corriente de defecto.** La utilización de un interruptor de corriente de defecto evita el riesgo de una descarga eléctrica.

3.1.3 Seguridad de personas

- a) **Permanezca atento, preste atención durante el trabajo y utilice la herramienta eléctrica con prudencia. No utilice la herramienta eléctrica si está cansado, ni tampoco después de haber consumido alcohol, drogas o medicamentos.** Un momento de descuido al utilizar la herramienta podría conllevar serias lesiones.
- b) **Utilice el equipo de protección adecuado y lleve siempre gafas de protección.** El riesgo de lesiones se reduce considerablemente si, según el tipo y la aplicación de la herramienta eléctrica empleada, se utiliza un equipo de cubierta protectora adecuado como una mascarilla antipolvo, zapatos de seguridad con suela antideslizante, casco o protectores auditivos.
- c) **Evite una puesta en marcha fortuita de la herramienta. Asegúrese de que la herramienta está apagada antes de alzarla, transportarla, conectarla a la alimentación de corriente y/o insertar la batería.** Si transporta la herramienta sujetándola por el interruptor de conexión / desconexión o si introduce el enchufe en la toma de corriente con la herramienta conectada, podría producirse un accidente.
- d) **Retire las herramientas de ajuste o llaves fijas antes de conectar la herramienta eléctrica.** Una herramienta o llave colocada en una pieza giratoria puede producir lesiones al ponerse en funcionamiento.
- e) **Evite adoptar posturas forzadas. Procure que la postura sea estable y manténgase siempre en equilibrio.** De esta forma podrá controlar mejor la herramienta eléctrica en caso de presentarse una situación inesperada.

- f) **Utilice ropa adecuada. No utilice vestimenta amplia ni joyas. Mantenga su pelo, vestimenta y guantes alejados de las piezas móviles.** La vestimenta suelta, las joyas y el pelo largo se pueden enganchar con las piezas en movimiento.
- g) **Siempre que sea posible utilice equipos de aspiración o captación de polvo, asegúrese de que están conectados y de que se utilizan correctamente.** Utilizar un dispositivo de aspiración del polvo puede reducir los peligros que éste produce.

3.1.4 Uso y manejo de la herramienta eléctrica

- a) **No sobrecargue la herramienta. Utilice la herramienta adecuada para el trabajo que se dispone a realizar.** Con la herramienta apropiada podrá trabajar mejor y de modo más seguro dentro del margen de potencia indicado.
- b) **No utilice herramientas con el interruptor defectuoso.** Las herramientas que no se puedan conectar o desconectar son peligrosas y deben repararse.
- c) **Extraiga el enchufe de la toma de corriente y/o la batería antes de efectuar cualquier ajuste en la herramienta, cambiar accesorios o en caso de no utilizar la herramienta durante un tiempo prolongado.** Esta medida preventiva reduce el riesgo de conexión accidental de la herramienta.
- d) **Guarde las herramientas fuera del alcance de los niños. Evite que personas no familiarizadas con su uso o que no hayan leído este manual de instrucciones utilicen la herramienta.** Las herramientas utilizadas por personas inexpertas son peligrosas.
- e) **Cuide sus herramientas adecuadamente. Compruebe si las piezas móviles de la herramienta funcionan correctamente y sin atascarse, y si existen piezas rotas o deterioradas que pudieran afectar al funcionamiento de la herramienta. Encargue la reparación de las piezas defectuosas antes de usar la herramienta.** Muchos accidentes son consecuencia de un mantenimiento inadecuado de la herramienta eléctrica.
- f) **Mantenga los útiles limpios y afilados.** Las herramientas de corte bien cuidadas y con aristas afiladas se atascan menos y se guían con más facilidad.
- g) **Utilice la herramienta eléctrica, los accesorios, las herramientas de repuesto, etc. conforme a estas indicaciones teniendo en cuenta las condiciones de trabajo y la actividad que vaya a realizar.** El uso de herramientas eléctricas para trabajos diferentes de aquellos para los que han sido concebidas puede resultar peligroso.

3.1.5 Servicio técnico

- a) **Solicite que un profesional lleve a cabo la reparación de su herramienta eléctrica y que utilice exclusivamente piezas de repuesto originales.** Solamente así se mantiene la seguridad de la herramienta eléctrica.

3.2 Indicaciones de seguridad adicionales

3.2.1 Seguridad de personas

- a) **Utilice protección para los oídos.** El ruido constante puede reducir la capacidad auditiva.
- b) **Utilice las empuñaduras adicionales que se suministran con la herramienta.** La pérdida del control puede causar lesiones.
- c) **Sujete la herramienta por las empuñaduras aisladas cuando realice trabajos en los que las herramientas de corte pueden entrar en contacto con cables eléctricos ocultos o con su propio cable.** El contacto con cables conductores puede traspasar la conductividad a las partes metálicas y provocar descargas eléctricas.
- d) **Mantenga las empuñaduras secas, limpias y sin residuos de aceite o grasa.**
- e) **Si la herramienta se utiliza sin un sistema de aspiración de polvo, debe emplearse una mascarilla ligera al realizar trabajos que generen polvo.**
- f) **Efectúe pausas durante el trabajo, así como ejercicios de relajación y estiramiento de los dedos para mejorar la circulación.**
- g) **Evite tocar las piezas en movimiento. No conecte la herramienta fuera de la zona de trabajo.** Si se tocan piezas en movimiento, en especial herramientas rotativas, pueden ocasionarse lesiones.
- h) **Retire siempre hacia atrás el cable eléctrico y el alargador durante el trabajo.** De esta forma se evita el peligro de tropiezo por culpa del cable.
- i) **Al realizar trabajos de mezclado, sitúe el interruptor selector de funciones en la posición "Taladrar con martillo" y utilice guantes de protección.**
- j) **Es conveniente advertir a los niños de que no deben jugar con la herramienta.**
- k) **La herramienta no es apta para el uso por parte de niños o de personas físicamente no preparadas que no tengan la debida instrucción.**
- l) **ADVERTENCIA:** Ciertos tipos de polvo que se producen al realizar trabajos de desbarbado, lijado, tronzado y taladrado, contienen sustancias químicas, conocidas por provocar cáncer, que ocasionan malformaciones en el feto, esterilidad, problemas en las vías respiratorias y otras lesiones. Entre estas sustancias químicas se encuen-

tran el plomo de la pintura de plomo, el cuarzo cristalino derivado de ladrillos secos, hormigón, mampostería o piedras naturales, o el arsénico y el cromo derivados de la madera de construcción tratada con productos químicos. El nivel de riesgo varía dependiendo de la frecuencia con la que se realizan estos trabajos. **Para reducir los efectos de estas sustancias químicas, tanto el usuario como terceras personas deben trabajar en espacios con buena ventilación y usar siempre equipos de seguridad autorizados. Utilice una mascarilla adecuada para determinados tipos de polvo que pueda filtrar además partículas microscópicas y mantenga alejado el polvo de la cara y el cuerpo. Evite un contacto prolongado con el polvo. Utilice prendas protectoras y lave con agua y jabón las partes de su cuerpo que hayan estado en contacto con el polvo.** La inhalación de partículas de polvo a través de la boca y el contacto prolongado del polvo con la piel y los ojos puede favorecer la ingestión de sustancias químicas perjudiciales para la salud.

3.2.2 Manipulación y utilización segura de las herramientas eléctricas

- a) **Asegure la pieza de trabajo. Utilice dispositivos de sujeción o un tornillo de banco para sujetar la pieza de trabajo.** De esta forma estará sujeta de modo más seguro que con la mano y, por otro lado, se podrán mantener libres ambas manos para el manejo de la herramienta.
- b) **Compruebe si los útiles presentan el sistema de inserción adecuado para la herramienta y si están enclavados en el portaútiles conforme a las prescripciones.**

3.2.3 Seguridad eléctrica



- a) **Compruebe (sirviéndose, por ejemplo, de un detector de metales) antes de empezar a trabajar si la zona de trabajo oculta cables eléctricos, tuberías de gas o cañerías de agua.** Las partes metálicas exteriores de la herramienta pueden conducir electricidad si, por ejemplo, se ha dañado accidentalmente una conducción eléctrica. Esto conlleva un peligro grave de descarga eléctrica.
- b) **Compruebe con regularidad la línea de conexión de la herramienta y en caso de que tuviera daños, encargue su sustitución a un profesional experto en la materia. Inspeccione regularmente los alargadores y sustitúyalos en caso de que estuvieran dañados. Si se daña el cable de red o el alargador durante el trabajo, evite tocar el cable. Extraiga el enchufe de red de la toma de**

corriente. Los cables de conexión y los alargadores dañados son un peligro porque pueden ocasionar una descarga eléctrica.

- c) **Encargue la revisión de la herramienta al servicio técnico de Hilti en caso de tratar con frecuencia materiales conductores a intervalos regulares.** El polvo adherido a la superficie de la herramienta, sobre todo el de los materiales conductivos, o la humedad pueden provocar descargas eléctricas bajo condiciones desfavorables.
- d) **Al trabajar con una herramienta eléctrica al aire libre, asegúrese de que la herramienta esté conectada mediante un interruptor de corriente de defecto (GFCI) con un máximo de 30 mA de corriente de activación a la red eléctrica.** El uso de un interruptor de corriente de defecto reduce el riesgo de una descarga eléctrica.
- e) **Se recomienda en principio la utilización de un interruptor de corriente de defecto (GFCI) con una corriente de desconexión máxima de 30 mA.**

3.2.4 Lugar de trabajo

- a) **Procure que haya una buena ventilación del lugar de trabajo.** Los lugares de trabajo mal ventilados pueden perjudicar la salud debido a la carga de polvo.
- b) **Durante el proceso de taladrado proteja la zona opuesta al lugar donde se realiza el trabajo,** ya que pueden desprenderse cascotes y causar heridas a otras personas.

3.2.5 Equipo de seguridad personal



El usuario y las personas que se encuentren en las inmediaciones de la zona de uso de la herramienta deberán llevar gafas protectoras, casco de protección, protección para los oídos, guantes de protección y una mascarilla ligera homologados según la norma ANSI Z87.1.

4. Instrucciones de seguridad y símbolos

4.1 Indicaciones básicas sobre seguridad

Además de las Instrucciones de seguridad técnica de cada uno de los apartados de este manual de instrucciones, se deberán observar estrictamente las siguientes normas.

4.2 Uso conforme a lo prescrito

Las herramientas son adecuadas para trabajos de perforación en hormigón, mampostería, cartón-yeso, madera y metal.

Los entornos de trabajo en los que pueden utilizarse son la obra y el taller, las renovaciones, remodelaciones y edificios de nueva planta.

4.3 Uso incorrecto



La herramienta sólo puede utilizarse con la tensión y frecuencia nominales indicadas en la placa de identificación.

No realice manipulación ni modificación alguna en la herramienta.

Siga las indicaciones de funcionamiento, cuidado y mantenimiento incluidas en el manual de instrucciones.

4.4 Estado técnico

- La herramienta está construida según los últimos avances técnicos.
- La herramienta y sus medios auxiliares pueden resultar peligrosos si son manejados por personal no instruido o si no se manejan conforme a lo prescrito.

4.5 Disposición de los lugares de trabajo conforme a lo prescrito



- Lleve calzado antideslizante y procure mantener en todo momento una posición firme.
- Evite las malas posturas.
- Mantenga el entorno de trabajo libre de objetos con los que pueda dañarse.

4.6 Peligro general que puede provocar la herramienta

- Agarre firmemente la empuñadura lateral por el extremo.
- Antes de enchufar la clavija a la red, asegúrese de que la herramienta está apagada.
- Mientras la herramienta esté enchufada, no la transporte llevando el dedo en el interruptor de encendido y apagado.

4.6.1 Peligro eléctrico



- Protéjase contra las sacudidas eléctricas. Evite tocar con su cuerpo piezas conectadas a tierra, como por ejemplo tuberías y radiadores.

Tabla de longitudes de cordones

Voltios	Longitud total del cordón en pies			
120 V	0-25	26- 50	51-100	101-150
240 V	0-50	51-100	101-200	201-300

Corriente		Tamaño de hilo			
Mayor que	No mayor que				
0	6	18	16	16	14
6	10	18	16	14	12
10	12	16	16	14	12
12	16	14	12		Desaconsejado

● Si mientras se está trabajando se dañan el cable de red o el prolongador, no los toque. Extraiga la clavija de la base de enchufe.

Sostener la herramienta por las empuñaduras aisladas cuando durante la operación puedan cortarse conductores eléctricos o el propio cable de la herramienta. El contacto con un conductor bajo tensión hará que las piezas expuestas reciban corriente eléctrica, pudiendo el operario recibir una descarga eléctrica.

4.7 Requisitos del usuario

● La herramienta está destinada al usuario profesional.

Símbolos utilizados en la herramienta:

V	voltios
~	corriente alterna
Hz	hertz
A	amperios
n ₀	velocidad sin carga
/min	revoluciones por minuto
∅	diámetro
⊠	doble aislamiento

5. Descripción

Los martillos perforadores TE 6-S, con sistema de percusión neumática conectable, son herramientas eléctricas para trabajos de perforación en hormigón, mampostería, cartón-yeso, maderas, plástico y metales. Las herramientas están destinadas al usuario profesional.

Portaútiles:

- Enclavamiento giratorio
- Interfaz para mandril TE-C y mandril de sujeción rápida

Interruptores:

- Interruptor de control regulable
- Interruptor de funcionamiento
- TE 6-S: 3 funciones de perforación
- Conmutador para el funcionamiento a izquierda o derecha

Asa lateral

- Asa lateral giratoria con tope de profundidad

Lubricación

- Lubricación permanente para el engranaje y el mecanismo de percusión

El suministro estándar incluye los elementos siguientes:

- Herramienta
- Asa lateral giratoria con tope de profundidad
- Grasa
- Manual de instrucciones
- Maletín de transporte
- El maletín profesional incluye el módulo de polvo DRS
- Paños de limpieza

6. Puesta en funcionamiento



La herramienta no deberá estar conectada a la corriente eléctrica.

6.1 Montar la empuñadura lateral 2

1. Abra el soporte de la empuñadura lateral girando el mango.
2. Desplace la empuñadura lateral (banda de sujeción) por sobre el mandril hasta la carcasa (tuerca de sujeción)
3. Gire la empuñadura lateral hasta la posición deseada.
4. Fije firmemente la empuñadura lateral girando el mango.

6.2 Extracción del portaútiles 3

PRECAUCIÓN

Aparte el tope de profundidad de la empuñadura lateral y el útil del portaútiles para evitar lesiones.

1. Extraiga el enchufe de red de la toma de corriente.
2. Tire hacia delante el casquillo del portaútiles y sujételo.
3. Levante el portaútiles hacia delante.

6.3 Colocación del portaútiles 4

PRECAUCIÓN

Aparte el tope de profundidad de la empuñadura lateral y el útil del portaútiles para evitar lesiones.

1. Extraiga el enchufe de red de la toma de corriente.
2. Sujete el casquillo por el portaútiles, tire de él hacia delante y sujételo con firmeza.
3. Coloque el portaútiles desde delante en el tubo guía y suelte el casquillo.
4. Gire el portaútiles hasta que encaje de modo audible.

7. Manejo





Utilice siempre la herramienta con la empuñadura lateral. Apriete las piezas de trabajo sueltas con un dispositivo de sujeción o con un tornillo de banco.



Cuando se utilicen cables de prolongación: utilizar sólo el cable de prolongación autorizado para el campo de aplicación, con sección suficiente. De otro modo puede producirse pérdida de potencia del aparato y sobrecalentamiento del cable. Si el cable alargador está deteriorado, sustituirlo.

En caso de temperaturas exteriores bajas: el aparato necesita una temperatura de funcionamiento mínima para que funcione el mecanismo de percusión. Encender el aparato, asentarlos brevemente sobre la base inferior y hacer que gire en vacío. Comenzar a utilizarlo, repetidas veces, hasta que funcione el mecanismo de percusión.

 	-PRECAUCIÓN-
	<ul style="list-style-type: none"> ■ La herramienta puede calentarse con el uso ■ Puede quemarse las manos ■ Por tanto utilice guantes protectores.

7.1 Colocación del útil **5**

PRECAUCIÓN

Utilice guantes de protección para cambiar de útil.

1. Extraiga el enchufe de red de la toma de corriente.
2. Compruebe si el extremo de inserción del útil está limpio y ligeramente engrasado. Límpielo y engráselo en caso necesario.
3. Compruebe que la falda de obturación de la tapa de protección contra el polvo está limpia y en perfecto estado. En caso necesario, limpie la tapa de protección o sustitúyala si la falda de obturación está dañada (véase el capítulo "Cuidado y mantenimiento").
4. Inserte el cincel en el portaútiles y gírelo ejerciendo una leve presión hasta que se enclave en las ranuras de la inserción.
5. Inserte el cincel en el portaútiles hasta que encaje de modo audible.
6. Tire del útil para comprobar que está encajado.

7.2 Extracción del útil **6**

PRECAUCIÓN




Utilice los guantes de protección para el cambio de útil, ya que el útil se calienta debido al uso.


1. Extraiga el enchufe de red de la toma de corriente.
2. Abra el portaútiles retirando el bloqueo del útil.
3. Extraiga el útil del portaútiles.

7.3 Ajuste del tope de profundidad **7**

1. Abra el soporte de la empuñadura lateral girando el mango.
2. Gire la empuñadura lateral hasta la posición deseada.
3. Ajuste el tope de profundidad a la profundidad de perforación "X".
4. Fije firmemente la empuñadura lateral girando el mango.

7.4 Perforación con percusión: Percusión completa **8**

  	-PRECAUCIÓN-
	<ul style="list-style-type: none"> ■ Durante el proceso de perforación pueden desprenderse virutas de material ■ El material desprendido puede causar lesiones corporales y en los ojos ■ Así pues, utilice protección para los ojos, guantes protectores y una protección respiratoria ligera.

	-ADVERTENCIA-
	<ul style="list-style-type: none"> ■ La herramienta y el proceso de perforación generan ruido. ■ Un ruido demasiado fuerte puede dañar los oídos. ■ Use protección para los oídos.

1. Inserte el enchufe de la herramienta en la toma de corriente.
2. Gire el interruptor hasta la posición "Símbolo" (☰).
3. Coloque la herramienta con la broca en el punto de perforación deseado.
4. Presione lentamente el interruptor de control (trabaje con una velocidad pequeña hasta que la perforadora esté centrada en el agujero de perforación).
5. Presione totalmente el interruptor de control para seguir trabajando a toda potencia.
6. No ejerza una presión excesiva, puesto que con ello no aumentará el rendimiento de la percusión. Además una presión menor alarga la vida útil de la herramienta.
7. Para evitar el desprendimiento de esquirlas en el momento de atravesar el elemento, reduzca la velocidad.

7.5 Perforación de percusión: Percusión fina **8**

1. Inserte el enchufe de la herramienta en la toma de corriente.
2. Gire el interruptor hasta la posición "Símbolo" (☷).
3. Coloque la herramienta con la broca en el punto de perforación deseado.
4. Presione lentamente el interruptor de control (trabaje con una velocidad pequeña hasta que la perforadora esté centrada en el agujero de perforación).
5. Presione totalmente el interruptor de control para seguir trabajando a toda potencia.
6. En combinación con la percusión fina, las nuevas perforadoras TE-C reducen el desprendimiento de esquirlas en los materiales críticos.

7.6 Perforación sin percusión **8**

1. Inserte el enchufe de la herramienta en la toma de corriente.
2. Gire el interruptor hasta la posición "Símbolo" (☱). En esta posición sólo se transfiere el movimiento giratorio a la pieza en que se trabaja.
3. Presione lentamente el interruptor de control (trabaje con una velocidad pequeña hasta que la perforadora esté centrada en el agujero de perforación).
4. Presione totalmente el interruptor de control para seguir trabajando a toda potencia.

7.7 Funcionamiento a derecha/izquierda **9**

1. Gire la palanca de conmutación hasta la posición del símbolo para el funcionamiento a derecha (L↷) o a izquierda (R↶).

es

8. Cuidado y mantenimiento

Inserte el enchufe de la herramienta en la toma de corriente.

8.1 Cuidado de las herramientas

Retire toda la suciedad que esté adherida a la herramienta y proteja la superficie de sus útiles contra la corrosión frotándolas con un paño ligeramente humedecido con aceite.

8.2 Cuidado de la herramienta

PRECAUCIÓN

Mantenga la herramienta seca, limpia y libre de aceite y grasa, en especial las superficies de la empuñadura. No utilice productos de limpieza que contengan silicona.

La carcasa exterior de la herramienta está fabricada en plástico resistente a los golpes. La empuñadura es de un material elastómero.

No utilice nunca la herramienta si esta tiene obstruidas las ranuras de ventilación. Límpielas cuidadosamente

con un cepillo seco. Evite la penetración de cuerpos extraños en el interior de la herramienta. Limpie regularmente el exterior de la herramienta con un paño ligeramente humedecido. No utilice pulverizadores, aparatos de chorro de vapor o agua corriente para la limpieza, ya que podría afectar a la seguridad eléctrica de la herramienta.

8.3 Mantenimiento

Compruebe regularmente que las partes externas de la herramienta no estén dañadas y que todos los elementos de manejo estén en perfecto estado de funcionamiento. No utilice la herramienta si hay partes dañadas o si algún elemento de manejo no funciona correctamente. Para reparar la herramienta llévela al servicio Hilti. Las reparaciones de la parte eléctrica sólo las llevará a cabo un profesional de la electricidad.

8.4 Control tras las tareas de cuidado y mantenimiento

Una vez realizado el cuidado y mantenimiento hay que comprobar si se han colocado y funcionan perfectamente todas las piezas de la herramienta.

9. Accesorios y herramientas

Mandril TE-C	●	
Cabezal de la broca angular TE-C	●	
Cabezal de la broca angular TE-AC 1	●	
Martillo perforador	∅ 4–24 mm	(∅ 3/16"–1")
Portabrocas	●	
Corona de perforación para paredes delgadas	∅ 25–68 mm	(∅ 1"–2 5/8")
Mandril portabrocas de sujeción rápida	●	
Broca para madera	∅ 5–20 mm	(∅ 3/16"–3/4")
Broca para metal	∅ 5–13 mm	(∅ 3/16"–1/2")
Taladrador escalonado	∅ 5–22 mm	(∅ 3/16"–5/8")
Sierra de punta	∅ 25–68 mm	(∅ 1"–2 5/8")
Módulo de polvo DRS	●	

9.1 Módulo de polvo DRS

9.1.1 Indicaciones generales

Ubicación de los datos identificativos de la herramienta: La denominación del modelo y el distintivo de serie se indican en la placa de identificación de su herramienta. Traslade estos datos a su manual de instrucciones y menciónelos siempre que consulte a nuestro representante o al punto de servicio.

Modelo:

N° de serie:

9.1.2 Descripción

El módulo de polvo TE DRS-M, un accesorio del martillo perforador TE6, se acopla a la misma de forma fácil y rápida. El módulo de polvo no es adecuado para los trabajos de cincelado y las perforación giratoria en metales.

9.1.3 Datos técnicos

Consumo de potencia	Máx. 60 W	
Potencia de aspiración	500 l/min	
Peso	0,9 kg	(2,03 lbs)
Máxima carrera de trabajo	105 mm	(4.1")

Brocas de percusión TE-C utilizables (l/cm):	Ø 4–16 mm	(Ø $\frac{3}{16}$ "– $\frac{5}{8}$ ")
Longitud de trabajo de la broca	50–100 mm	(2–4")
Fuerza de apriete	15–25 N	
Capacidad colector de polvo:		
Prof. de perfor. Ø 6 / 28 mm ($\frac{1}{4}$ "/1.1")	130 perforaciones	
Prof. de perfor. Ø 8 / 30 mm ($\frac{5}{16}$ "/1.2")	75 perforaciones	
Prof. de perfor. Ø 12 / 50 mm ($\frac{1}{2}$ "/2")	20 perforaciones	
Ciclos de regeneración del colector de polvo:	Hasta 100 ciclos	
Cabezal de aspiración	Ø 4–16 mm	(Ø $\frac{3}{16}$ "– $\frac{5}{8}$ ")
Ventilador de aspiración, colector de polvo con filtro de papel plegado, tope de profundidad, tope de longitud, acoplamiento de inserción		

es

9.1.4 Puesta en funcionamiento

Montar el módulo de polvo **10**

Principio de accionamiento y acoplamiento. El ventilador de aspiración integrado en el módulo de polvo se acciona por medio de un acoplamiento de inserción. El engranaje del eje del rotor (1) se engrana en el manguito de inserción dentado (2) del eje del módulo de polvo.

1. Inserte el enchufe de la herramienta en la toma de corriente.
2. Desplace el módulo de polvo a lo largo de la conducción guía (3) de la herramienta hasta que quede encajado.

Desmontar el módulo de polvo **10**

1. Inserte el enchufe de la herramienta en la toma de corriente.
2. Presione el interruptor de desenclavamiento (4) y manténgalo presionado.
3. A continuación extraiga el módulo de polvo de la herramienta tirando hacia abajo.

9.1.5 Manejo

Ajuste de la longitud (ajuste de la carrera) **11**

Por lo general, la carrera útil de la perforadora TE-C está ajustada a $l = 150$ mm, lo que corresponde a una longitud de trabajo de perforación de 100 milímetros. No obstante, en el caso de brocas más cortas es preciso adaptar dicha carrera.

1. Abra (A) el anillo de obturación (5)
2. Presione la herramienta contra la pared (con la broca colocada) hasta que esta toque la pared (C)
3. Cierre (B) el anillo de obturación (5).

Ajuste de la profundidad de perforación (tope de profundidad) **12**

1. Abra (D) el tope (6)
2. Desplace dicho tope hasta la profundidad de perforación deseada (F)
3. Vuelva a cerrar (E) el tope (6)

Si necesita profundidades de perforación precisas, por ejemplo para pernos, deberá determinar la profundidad de perforación haciendo pruebas.

Cambiar el cabezal de aspiración **13**

1. Retire el nervio (G) de la parte posterior del cabezal de aspiración (7)
2. Tire hacia arriba del cabezal de aspiración para sacarlo de la guía (H)

3. Inserte el nuevo cabezal de aspiración en la guía hasta que quede encajado

Vaciar el colector de polvo **14**

1. Mantenga la herramienta en posición horizontal y en marcha durante un breve espacio de tiempo, de modo que los restos de polvo que se hayan acumulado en el módulo pasen al colector correspondiente
2. Presione el botón y manténgalo presionado (K)
3. Tire hacia abajo del colector de polvo (8) para extraerlo del módulo de polvo (L)
4. Vacíe el colector de polvo agitándolo suavemente
5. Inserte el colector de polvo vacío en el módulo hasta que quede encajado. Si coloca un colector de polvo nuevo, deberá retirar en primer lugar la tapa protectora.

9.1.6 Cuidado y mantenimiento

Limpie el dispositivo de aspiración de polvo únicamente con aire comprimido y un paño de limpieza. No utilice agua ni aceites, grasas o detergentes.

10. Garantía del fabricante de las herramientas

Hilti garantiza la herramienta suministrada contra todo fallo de material y de fabricación. Esta garantía se otorga a condición de que la herramienta sea utilizada, manejada, limpiada y revisada en conformidad con el manual de instrucciones de Hilti, y de que el sistema técnico sea salvaguardado, es decir, que se utilicen en la herramienta exclusivamente consumibles, accesorios y piezas de recambio originales de Hilti.

Esta garantía abarca la reparación gratuita o la sustitución sin cargo de las piezas defectuosas durante toda la vida útil de la herramienta. La garantía no cubre las piezas sometidas a un desgaste normal. Hilti será quien defina cuál es el periodo de vida útil de la herramienta, fijando este plazo siempre por encima de lo que marque la ley vigente

Quedan excluidas otras condiciones que no sean las expuestas, siempre que esta condición no sea con-

traría a las prescripciones nacionales vigentes. Hilti no acepta la responsabilidad especialmente en relación con deterioros, pérdidas o gastos directos, indirectos, accidentales o consecutivos, en relación con la utilización o a causa de la imposibilidad de utilización de la herramienta para cualquiera de sus finalidades. Quedan excluidas en particular todas las garantías tácitas relacionadas con la utilización y la idoneidad para una finalidad precisa.

de su organización de venta Hilti más cercana inmediatamente después de la constatación del defecto.

Estas son las únicas obligaciones de Hilti en materia de garantía, las cuales anulan toda declaración anterior o contemporánea, del mismo modo que todos los acuerdos orales o escritos en relación con las garantías.

ES

Para toda reparación o recambio, les rogamos que envíen la herramienta o las piezas en cuestión a la dirección

11. Eliminación de la herramienta



Las herramientas de Hilti están fabricadas en su mayor parte con materiales reciclables. La condición para dicha reutilización es separar correctamente los materiales. En muchos países Hilti ya está organizada para recoger su vieja herramienta para proceder al reciclado de la misma. Consulte al servicio al cliente de Hilti o a su vendedor.

12. Solución de problemas

Problema	Causa posible	Solución
La herramienta no funciona	Se ha producido un corte en el suministro eléctrico.	Enchufe otro aparato eléctrico y compruebe el funcionamiento del mismo.
	El cable o la clavija están defectuosos.	Póngase en contacto con el servicio técnico y, en su caso, haga que procedan a su reparación.
	El interruptor de control está defectuoso.	Póngase en contacto con el servicio técnico y, en su caso, haga que procedan a la reparación.
No hay percusión	La herramienta está fría.	Espere hasta que la herramienta haya alcanzado la temperatura mínima de funcionamiento (consulte Manejo).
	El interruptor de funcionamiento se encuentra en la posición de perforación giratoria.	Coloque el interruptor de funcionamiento en la posición de perforación de percusión.
La herramienta no alcanza toda su potencia	El cable alargador tiene una sección demasiado reducida.	Utilice un cable alargador con sección suficiente (consulte Manejo).
	El interruptor de control no se ha presionado totalmente.	Presione el interruptor de control hasta el tope.
	El interruptor de funcionamiento se encuentra en la posición de percusión fina.	Coloque el interruptor de funcionamiento en la posición de percusión fina.
	El interruptor derecha/izquierda está en funcionamiento a izquierda durante la perforación.	Coloque el interruptor izquierda / derecha en la posición de funcionamiento a derecha.
La broca no se puede desbloquear.	Portaútiles retirado parcialmente.	Retire el bloqueo de útil hasta el tope y extraiga el útil.

Martelo perfurador TE 6-S

Este manual de instruções contém informação sobre a utilização da ferramenta e sobre normas de segurança (ver capítulo "Instruções de segurança").

Antes de utilizar a ferramenta, por favor leia atentamente o manual de instruções.

Conserve o manual de instruções, sempre junto da ferramenta.

Entregue a ferramenta a outras pessoas juntamente com o manual de instruções.

Comandos operativos e componentes **1**

- A** Mandril
- B** Selector de função
- C** Interruptor on/off
- D** Comutador de rotação esquerda/direita
- E** Punho auxiliar com aferidor de profundidade
- F** Conexão para o sistema de remoção de pó
- G** Cabo de alimentação

Índice	Página
1. Instruções gerais	31
2. Características técnicas	32
3. Normas de segurança	32
4. Normas e símbolos específicos de segurança	35
5. Descrição	35
6. Antes de iniciar a utilização	36
7. Utilização	36
8. Conservação e manutenção	37
9. Acessórios	38
10. Garantia do fabricante sobre ferramentas	39
11. Reciclagem	40
12. Avarias possíveis	40

1. Instruções gerais

1.1 Indicação de perigo

- Cuidado -

Indica operação perigosa e/ou até mesmo perigo para a sua saúde. Pode causar graves danos na ferramenta e no ambiente.

1.2 Pictogramas

Sinais de aviso



Perigo geral



Perigo: electricidade



Perigo: Superfície quente

Obrigatório!



Use óculos de protecção



Use máscara anti-poeiras



Use protecção auricular



Use luvas de protecção

Símbolos:



Leia o Manual de Instruções antes de iniciar a utilização da ferramenta.

1 Estes números referem-se a figuras. Estas encontram-se nas contracapas desdobráveis. Ao ler as instruções, mantenha as contracapas abertas. Nestas instruções a palavra "ferramenta" refere-se sempre ao martelo perfurador TE 6-S.

Localização da informação na ferramenta

A designação e o número de série da ferramenta encontram-se na placa de características. Anote estas informações no seu Manual de Instruções e faça referência a estes elementos sempre que necessitar de qualquer peça/acessório para a ferramenta.

Tipo: _____

Número de Série: _____

2. Características técnicas

Ferramenta	TE6-S
Potência	650 W
Voltagem	120 V
Corrente	5,4 A
Frequência	50–60 Hz
Peso	2,8 kg (6,3 lbs)
Dimensões (C×L×A)	320×215×75 mm (12,5×8,5×3,0")
R.P.M.	0–880
Velocidade de percussão (Total)	0–5100 1/min
Velocidade de percussão (Reduzida)	0–2700 1/min
Energia de impacto (Total)	1,8 Nm (J)
Energia de impacto (Reduzida)	0,6 Nm (J)
Ø broca em betão / alvenaria	4–24 mm ($\frac{3}{16}$ "–1")
Ø broca em madeira	5–20 mm ($\frac{3}{16}$ "– $\frac{3}{4}$ "
Bohrbereich in Holz: Lochsägen	25–68 mm (1"– $2\frac{5}{8}$ "
Ø broca em metal (elevada espessura)	5–13 mm ($\frac{3}{16}$ "– $\frac{1}{2}$ "
Ø broca em metal (máx. 2mm espessura)	5–22 mm ($\frac{3}{16}$ "– $\frac{7}{8}$ "
Ø broca de coroa (função de cinzelamento no mínimo)	25–68 mm (1"– $2\frac{5}{8}$ "
Performance de perfuração em betão de dureza média	Ø 8 mm ($\frac{5}{16}$ " = 28 cm ³ /min. Ø 12 mm ($\frac{1}{2}$ " = 45 cm ³ /min. Ø 16 mm ($\frac{5}{8}$ " = 49 cm ³ /min.

Embraiagem mecânica ●

Punho principal + punho auxiliar amortecedor de vibração ●

Reservamo-nos o direito de proceder a alterações técnicas.

3. Normas de segurança

3.1 Normas de segurança gerais para ferramentas eléctricas

AVISO: Leia todas as normas de segurança e instruções. O não cumprimento das normas de segurança e instruções pode resultar em choque eléctrico, incêndio e/ou lesões graves. **Guarde bem todas as normas de segurança e instruções para futura referência.** O termo "ferramenta eléctrica" utilizado nas normas de segurança refere-se a ferramentas eléctricas que se ligam à rede (através do cabo de alimentação) e a ferramentas eléctricas alimentadas a bateria (sem cabo de alimentação).

GUARDE ESTAS INSTRUÇÕES

3.1.1 Segurança no posto de trabalho

- Mantenha a sua área de trabalho limpa e bem iluminada.** Locais desarrumados ou mal iluminados podem ocasionar acidentes.
- Não opere com a ferramenta em ambientes explosivos ou na proximidade de líquidos ou gases inflamáveis.** Ferramentas eléctricas produzem faíscas que podem provocar a ignição de pó e vapores.

- Mantenha crianças e terceiros afastados durante os trabalhos.** Distrações podem conduzir à perda de controlo sobre a ferramenta.

3.1.2 Segurança eléctrica

- A ficha da ferramenta eléctrica deve servir na tomada. A ficha não deve ser modificada de modo algum. Não utilize quaisquer adaptadores com ferramentas com ligação terra.** Fichas originais (não modificadas) e tomadas adequadas reduzem o risco de choque eléctrico.
- Evite o contacto do corpo com superfícies ligadas à terra, como, por exemplo, canos, radiadores, fogões e frigoríficos.** Existe um risco elevado de choque eléctrico se o corpo estiver em contacto com a terra.
- A ferramenta eléctrica não deve ser exposta à chuva nem humidade.** A infiltração de água na ferramenta eléctrica aumenta o risco de choque eléctrico.
- Não use o cabo para transportar, arrastar ou desligar a ferramenta da tomada. Mantenha o cabo afastado de calor, óleo, arestas vivas ou partes em movimento da ferramenta.** Cabos danificados ou emaranhados aumentam o risco de choque eléctrico.

- e) **Quando operar uma ferramenta eléctrica ao ar livre, utilize apenas cabos de extensão próprios para utilização no exterior.** A utilização de cabos de extensão próprios para exterior reduz o risco de choque eléctrico.
- f) **Utilize um disjuntor diferencial se não puder ser evitada a utilização da ferramenta eléctrica em ambiente húmido.** A utilização de um disjuntor diferencial reduz o risco de choque eléctrico.

3.1.3 Segurança física

- a) **Esteja atento ao que está a fazer e tenha prudência ao trabalhar com a ferramenta eléctrica. Não use a ferramenta eléctrica se estiver cansado ou sob a influência de drogas, álcool ou medicamentos.** Um momento de distração ao operar a ferramenta pode causar ferimentos graves.
- b) **Use equipamento de segurança. Use sempre óculos de protecção.** Equipamento de segurança, como, por exemplo, máscara antipoeiras, sapatos de segurança antiderrapantes, capacete de segurança ou protecção auricular, de acordo com o tipo e aplicação da ferramenta eléctrica, reduzem o risco de lesões.
- c) **Evite um arranque involuntário. Assegure-se de que a ferramenta está desligada antes de a ligar à fonte de alimentação e/ou à bateria, pegar nela ou a transportar.** Transportar a ferramenta eléctrica com o dedo no interruptor ou ligar uma ferramenta à tomada com o interruptor ligado (ON) pode resultar em acidentes.
- d) **Remova quaisquer chaves de ajuste (chaves de fenda), antes de ligar a ferramenta eléctrica.** Um acessório ou chave deixado preso numa parte rotativa da ferramenta pode causar ferimentos.
- e) **Evite posturas corporais desfavoráveis. Mantenha sempre uma posição correcta, em perfeito equilíbrio.** Desta forma será mais fácil manter o controlo sobre a ferramenta em situações inesperadas.
- f) **Use roupa apropriada. Não use roupa larga ou jóias. Mantenha o cabelo, vestuário e luvas afastados das peças móveis.** Roupas largas, jóias ou cabelos compridos podem ficar presos nas peças móveis.
- g) **Se poderem ser montados sistemas de aspiração e de recolha de pó, assegure-se de que estes estão ligados e são utilizados correctamente.** A utilização de um sistema de recolha do pó pode reduzir os perigos relacionados com a exposição ao mesmo.

3.1.4 Utilização e manuseamento da ferramenta eléctrica

- a) **Não sobrecarregue a ferramenta. Use para o seu trabalho a ferramenta eléctrica correcta.**

Com a ferramenta eléctrica adequada obterá maior eficiência e segurança se respeitar os seus limites.

- b) **Não utilize a ferramenta eléctrica se o interruptor estiver defeituoso.** Uma ferramenta eléctrica que já não possa ser accionada pelo interruptor é perigosa e deve ser reparada.
- c) **Retire a ficha da tomada e/ou remova a bateria antes de efectuar ajustes na ferramenta, substituir acessórios ou guardar a ferramenta eléctrica.** Esta medida preventiva evita o accionamento acidental da ferramenta.
- d) **Guarde ferramentas eléctricas não utilizadas fora do alcance das crianças. Não permita que a ferramenta seja utilizada por pessoas não qualificadas ou que não tenham lido estas instruções.** Ferramentas eléctricas operadas por pessoas não treinadas são perigosas.
- e) **Trate da sua ferramenta eléctrica com cuidado. Verifique se as partes móveis da ferramenta funcionam correctamente e não emperram, se há peças quebradas ou danificadas, que possam influenciar o funcionamento da ferramenta. Peças danificadas devem ser reparadas antes da utilização da ferramenta.** Muitos acidentes são causados por ferramentas eléctricas com manutenção deficiente.
- f) **Mantenha as ferramentas de corte sempre afiadas e limpas.** Ferramentas de corte com gumes afiados tratadas correctamente emperram menos e são mais fáceis de controlar.
- g) **Utilize a ferramenta eléctrica, acessórios, bits, etc., de acordo com estas instruções, tomando em consideração as condições de trabalho e a tarefa a ser executada.** A utilização da ferramenta eléctrica para outros fins além dos previstos, pode ocasionar situações de perigo.

3.1.5 Serviço

- a) **A sua ferramenta eléctrica só deve ser reparada por pessoal qualificado e só devem ser utilizadas peças sobressalentes originais.** Isto assegurará que a segurança da ferramenta se mantenha.

3.2 Normas de segurança adicionais

3.2.1 Segurança física

- a) **Use protecção auricular.** Ruído em excesso pode levar à perda de audição.
- b) **Utilize os punhos auxiliares fornecidos com a ferramenta.** A perda de controlo da ferramenta pode causar ferimentos.
- c) **Segure a ferramenta pelas superfícies isoladas dos punhos quando executar trabalhos onde o disco de corte pode entrar em contacto com**

pt

cabos eléctricos enterrados ou com o próprio cabo de rede. O contacto com um cabo condutor de corrente faz com que peças metálicas não isoladas estejam sob tensão e o operador da ferramenta receba um choque eléctrico.

- d) **Mantenha os punhos secos, limpos e isentos de óleos e massas.**
- e) **Se a ferramenta for utilizada sem o sistema de remoção de pó, é indispensável colocar uma máscara antipoeiras.**
- f) **Faça pausas para relaxar os músculos e melhorar a circulação sanguínea nas mãos.**
- g) **Evite o contacto com peças rotativas. Ligue a ferramenta apenas quando estiver no local de trabalho.** O contacto com peças rotativas, nomeadamente brocas, discos, lâminas, etc. pode causar ferimentos.
- h) **Durante o trabalho, mantenha o cabo de alimentação e a extensão sempre na parte de trás da ferramenta.** Evite assim tropeçar no cabo durante os trabalhos.
- i) **Para misturar, coloque o selector de funções na posição “Perfurar de martelo” e use luvas de protecção.**
- j) **Deve ensinar-se às crianças que não podem brincar com a ferramenta.**
- k) **A ferramenta não está concebida para a utilização por crianças ou pessoas debilitadas sem formação.**
- l) **AVISO: Alguns tipos de pó que são produzidos ao desbastar, rebarbar, cortar e furar, contêm agentes químicos conhecidos pelos seus efeitos cancerígenos e teratogénicos, que podem provocar esterilidade e danos permanentes das vias respiratórias ou outros.** Alguns desses agentes químicos são chumbo contido em tinta de chumbo, quartzo cristalino proveniente de tijolos, betão, alvenaria ou pedras naturais, ou, também, arsénico e crómio provenientes de madeira de construção tratada quimicamente. A perigosidade para si varia, consoante a frequência com que efectua estes trabalhos. **Para minimizar a exposição a estes agentes químicos, os utilizadores e terceiros devem trabalhar num espaço bem ventilado, bem como usar equipamentos de segurança apropriados. Use uma máscara antipoeiras adequada para determinados pós, que possa filtrar partículas microscópicas e manter o pó afastado da face e do corpo. Evite o contacto permanente com pó. Use roupa de protecção e lave a área da pele afectada com água e sabão.** A absorção de pó através da boca, dos olhos ou o contacto permanente dos pós com a pele pode promover a absorção de agentes químicos com risco de efeitos graves para a saúde.

3.2.2 Utilização e manutenção de ferramentas eléctricas

- a) **Para maior segurança e porque assim fica com ambas as mãos livres para segurar a máquina, use grampos ou um torno para segurar peças soltas.**
- b) **Verifique se os acessórios utilizados são compatíveis com o sistema de encaixe e se estão correctamente encaixados.**

3.2.3 Segurança eléctrica



- a) **Antes de iniciar os trabalhos, verifique o local de trabalho relativamente a cabos eléctricos encobertos, bem como tubos de gás e água, p.ex., com um detector de metais.** Partes metálicas externas da ferramenta podem transformar-se em condutores de corrente se, p.ex., uma linha eléctrica for danificada inadvertidamente. Isto representa um sério perigo de choque eléctrico.
 - b) **Verifique o cabo eléctrico regularmente. Se danificado, o cabo deve ser imediatamente substituído por um especialista. Verifique as extensões de cabo regularmente. Se estiverem danificadas, deverão ser substituídas. Se danificar o cabo enquanto trabalha, não lhe toque e desligue a máquina imediatamente. Desligue a máquina da corrente. Linhas de conexão e extensões danificadas representam um risco de choque eléctrico.**
 - c) **Deste modo, as ferramentas utilizadas frequentemente para trabalhar materiais condutores e consequentemente muito sujas, devem ser verificadas num Centro de Assistência Técnica Hilti a intervalos regulares.** Humidade ou sujidade na superfície da ferramenta dificultam o seu manuseio e, sob condições desfavoráveis, podem causar choques eléctricos.
 - d) **Se trabalhar com uma ferramenta eléctrica no exterior, certifique-se de que a ferramenta está ligada à rede eléctrica por meio de um disjuntor diferencial (GFCI) com uma corrente de disparo de, no máximo, 30 mA.** A utilização de um disjuntor diferencial reduz o risco de choque eléctrico.
 - e) **Por princípio, recomendamos a utilização de um disjuntor diferencial (GFCI) com uma corrente de disparo de, no máximo, 30 mA.**
- ### 3.2.4 Local de trabalho
- a) **Assegure-se de que o local de trabalho está bem ventilado.** Áreas de trabalho mal ventiladas

podem suscitar problemas de saúde devido à inalação de pó.

- b) **Ao realizar trabalhos de perfuração, veda a área que se encontra do lado oposto dos trabalhos.** Restos de demolição podem desprender-se e/ou cair e ferir outras pessoas.

3.2.5 Equipamento de protecção pessoal



O utilizador e restantes pessoas que se encontrem na proximidade da ferramenta devem usar óculos de protecção adequados e aprovados em conformidade com a norma ANSI Z87.1, capacete de segurança, protecção auricular, luvas de protecção e máscara antipoeiras.

4. Normas e símbolos específicos de segurança

4.1 Informação geral

Além das regras especificamente mencionadas em cada capítulo deste Manual de Instruções, deve observar sempre os pontos a seguir indicados.

4.2 Utilização correcta

Esta ferramenta foi concebida para perfurar betão, alvenaria, drywall, madeira, plásticos e metal. Esta ferramenta destina-se a uso profissional.

4.3 Utilização incorrecta



Certifique-se de que a corrente eléctrica à qual a ferramenta está ligada está de acordo com a mencionada na placa de características.

Não é permitida a modificação ou manipulação da ferramenta.

Leia as instruções contidas neste Manual sobre utilização, conservação e manutenção.

4.4 Declaração

● A ferramenta e equipamento auxiliar podem representar um perigo se utilizadas incorrectamente ou por pessoal não treinado.

● Vom Gerät und seinen Hilfsmitteln können Gefahren ausgehen, wenn sie von unausgebildetem Personal unsachgemäß behandelt oder nicht bestimmungsgemäß verwendet werden

4.5 Organização do local de trabalho



- Mantenha uma postura de trabalho correcta e esteja atento.
- Mantenha o local de trabalho livre de objectos nos quais se possa ferir. Cuide para que haja uma boa iluminação.

4.6 Perigos representados pela ferramenta

- Segure a ferramenta com ambas as mãos.
- A mão no punho auxiliar deve estar o mais afastada possível do corpo da máquina.
- Nunca deixe a ferramenta abandonada (sem qualquer supervisão).

4.6.1 Perigos eléctricos



- Utilize apenas cabos de extensão adequados para o tipo de aplicação.

Tabela de Cabos de Extensão

Voltagem	Comprimento total de cabo em pés				
120 V	0–25	26– 50	51–100	101–150	
240 V	0–50	51–100	101–200	201–300	

Potência de amperagem AWG

Superior a	Não superior a				
0	6	18	16	16	14
6	10	18	16	14	12
10	12	16	16	14	12
12	16	14	12	Não recomendado	

- Se danificar o cabo enquanto trabalha, não lhe toque e desligue a máquina imediatamente.

● **Segure a ferramenta pelas superfícies isoladas de segurança ao executar uma operação em que a ferramenta de corte pode entrar em contato com a fiação oculta ou com o seu próprio fio.** O contato com o fio «eletrizado», fará com que as peças de metal expostas da ferramenta sejam «eletrizadas» e causará choque no operador.

4.7 Informação ao utilizador

- A ferramenta foi concebida para uso profissional.

Symbols used on the tool:

V	volts
~	corrente alternada
Hz	hertz
A	ampère
n ₀	sem velocidade de carga
/min	rotação ou voltas por minuto
∅	diâmetro
⊠	double insulated

5. Descrição

O TE 6-S é um martelo perfurador accionado electricamente, com mecanismo pneumático de percussão, para perfurar betão, alvenaria, drywall, madeira, plásticos e metal. Esta ferramenta foi concebida para uso profissional.

pt

Mandril:

- Com travão de rotação
- Interface para mandril TE-C e mandril de aperto rápido

Interruptores:

- Regulador de velocidade
- Selector de função
TE 6-S: 3 funções de perfuração
- Comutador de rotação esquerda/direita

Punho auxiliar

- Punho auxiliar regulável, com aferidor de profundidade

Lubrificação

- A engrenagem e o sistema de percussão estão permanentemente lubrificados.

Incluído no fornecimento

- Uma broca
- Punho auxiliar regulável, com aferidor de profundidade
- Massa
- Manual de instruções
- Caixa da ferramenta
- Sistema de remoção de pó (na versão "caixa de ferramenta profissional")
- Pano de limpeza

6. Antes de iniciar a utilização



Ferramenta deverá estar ligada à corrente eléctrica.

6.1 Coloque o punho auxiliar 2

1. Desaperte o fecho do punho auxiliar.
2. Faça deslizar o punho auxiliar através do mandril até à zona ranhurada do encabadouro.
3. Coloque o punho auxiliar na posição desejada.
4. Fixe o punho, girando-o para apertar.

6.2 Levantar o mandril 3

CUIDADO

Para evitar o risco de ferimentos, remova o limitador de profundidade do punho auxiliar e a broca do mandril.

1. Desligue a máquina da corrente.
2. Puxe o anel na base do mandril para a frente e segure-o nesta posição.
3. Retire o mandril pela parte da frente da ferramenta.

6.3 Colocação do mandril 4

CUIDADO

Para evitar o risco de ferimentos, remova o limitador de profundidade do punho auxiliar e a broca do mandril.

1. Desligue a máquina da corrente.
2. Pegue o anel na base do mandril, puxe-o para a frente e segure-o nesta posição.
3. Empurre o mandril para dentro do tubo guia da ferramenta e liberte o anel.
4. Rode o mandril até que este encaixe de forma audível.

7. Utilização



Utilize sempre a ferramenta com o punho auxiliar acoplado. Use grampos ou o torno para segurar peças soltas.



No caso de utilização de cabos eléctricos de extensão: somente utilizar cabos aprovados para o tipo de serviço considerado e com secção transversal suficiente. Caso contrário, pode ocorrer perda de potência do aparelho e sobreaquecimento do cabo. Troque cabos eléctricos de extensão danificados.

No caso de temperaturas externas baixas: o aparelho necessita de uma temperatura mínima de funcionamento para que o mecanismo de percussão funcione. Ligar o aparelho, apoiá-lo sobre o material a ser trabalhado e deixá-lo trabalhar em vazio. Enquanto pue a ferramenta está a trabalhar, aplicar brevemente alguma pressão, repetindo esta operação até que o mecanismo de percussão comece a funcionar.

 	<p align="center">- CUIDADO -</p> <ul style="list-style-type: none">■ O acessório (broca / cinzel) pode ficar muito quente durante a utilização.■ Existe o perigo de queimaduras.■ Use luvas de protecção quando substituir os acessórios.
------	---

7.1 Inserir o acessório 5

CUIDADO

Use luvas de protecção para a troca do acessório.

1. Desligue a máquina da corrente.
2. Verifique se o encabadouro da broca está limpo e ligeiramente lubrificado. Caso necessário, limpe e lubrifique o encabadouro.
3. Verifique se o vedante da capa protectora contra pó está limpo e sem defeito. Caso necessário, limpe a capa protectora contra pó ou, se o vedante estiver danificado, substitua a capa protectora contra pó (ver o capítulo "Conservação e manutenção").
4. Empurre a broca para dentro do mandril aplicando alguma pressão e rode-a de forma a que esta encaixe nas ranhuras guia.
5. Empurre a broca para dentro do mandril até que esta encaixe de forma audível.
6. Tente puxar a broca para fora do mandril, verificando assim se está bem fixa.

7.2 Remoção do acessório 6

CUIDADO




Ao efectuar a troca de acessórios, calce luvas de protecção, pois estes aquecem durante a utilização.


1. Desligue a máquina da corrente.
2. Abra o mandril puxando para fora o casquilho de bloqueio.
3. Puxe a broca para fora do mandril.

7.3 Ajuste do aferidor de profundidade 7

1. Abra o punho auxiliar rodando o punho.
2. Posicione o punho auxiliar na posição desejada.
3. Ajuste o aferidor para a profundidade desejada "X".
4. Aperte o punho auxiliar rodando o punho.

7.4 Perfuração com percussão no máximo 8

- CUIDADO -	
  	<ul style="list-style-type: none"> ■ O material pode estilhaçar durante a perfuração. ■ Os estilhaços podem provocar ferimentos corporais, nomeadamente nos olhos. ■ Use óculos e luvas de protecção, e, no caso de não usar um sistema de remoção de pó, use máscara anti-poeiras.

- CUIDADO -	
	<ul style="list-style-type: none"> ■ A ferramenta e a operação de perfuração produzem ruído. ■ Ruído excessivo pode prejudicar a audição. ■ Use protecção auricular.

1. Desligue o cabo de alimentação.
2. Coloque o selector de função na posição de percussão (⏏).
3. Coloque a ponta da broca no local onde será feito o furo.
4. Pressione o interruptor electrónico lentamente (fure a baixa velocidade até que a broca esteja centrada).
5. Pressione energicamente o interruptor electrónico para aumentar a velocidade de perfuração.
6. Não aplique força sobre a máquina; tal procedimento não aumenta a capacidade de percussão. A pressão ligeira (normal) aumenta a vida útil do acessório.
7. Quando efectuar um furo de atravessamento não reduza bruscamente a velocidade pois pode estalar o material.

7.5 Perfuração com percussão reduzida 8

1. Desligue o cabo de alimentação.
2. Coloque o selector de função na posição de percussão (⏏).
3. Coloque a ponta da broca no local onde será feito o furo.
4. Pressione o interruptor electrónico lentamente (fure a baixa velocidade até que a broca esteja centrada).
5. Pressione energicamente o interruptor electrónico para aumentar a velocidade de perfuração.

6. No caso de estar a furar materiais críticos, pode reduzir os estilhaços se utilizar brocas TE-C, conjugando com a função de percussão reduzida.

7.6 Perfuração sem percussão 8

1. Desligue o cabo de alimentação.
2. Coloque o selector de função na posição do símbolo (⏏). Quando o selector de função está nesta posição, apenas a acção de rotação é transmitida ao acessório.
3. Pressione o interruptor electrónico lentamente (fure a baixa velocidade até que a broca esteja centrada).
4. Pressione energicamente o interruptor electrónico para aumentar a velocidade de perfuração.

7.7 Rotação esquerda / direita 9

1. Rode o comutador para a esquerda (L ↶) ou para a direita (R ↷).

8. Conservação e manutenção

Desligue o cabo de alimentação.

8.1 Manutenção dos acessórios

Remova quaisquer resíduos aderentes ao encabadouro do acessório (broca ou cinzel).

ConsERVE os acessórios limpos, SEM PÓ NEM SUJIDADE. Mantenha sempre o encabadouro limpo e lubrificado.

8.2 Manutenção da ferramenta

CUIDADO

Mantenha a ferramenta, particularmente as superfícies do punho, seca, limpa e isenta de óleos e massas. Não utilize produtos de limpeza que contenham silicone.

A carcaça exterior da ferramenta é fabricada em plástico resistente a impactos. O punho é feito de uma borracha sintética.

As saídas de ar devem estar sempre limpas e desobstruídas! Limpe as saídas de ar cuidadosamente com uma escova seca. Evite a penetração de corpos estranhos no interior da ferramenta. Limpe regularmente o exterior da ferramenta com um pano ligeiramente húmido. Não utilize qualquer spray, sistema de vapor ou água, pois poderá afectar negativamente a parte eléctrica da ferramenta.

8.3 Manutenção

Examine periodicamente todos os componentes e partes externas da ferramenta prevenindo assim o seu perfeito funcionamento. Não ligue a ferramenta se houver partes danificadas, incompletas ou se os elementos de comando não estiverem a funcionar correctamente. Nesse caso, mande reparar a ferramenta num centro de assistência técnica Hilti.

8.4 Verificação da ferramenta após manutenção

Após efectuar os trabalhos de manutenção, deverá verificar se o equipamento de segurança está completo e correctamente encaixado, e se a ferramenta funciona em perfeitas condições.

9. Acessórios

Mandril TE-C	●	
Mandril TE-C angular	●	
Mandril TE-AC 1 angular	●	
Brocas	∅ 4–24 mm	(∅ 3/16"–1")
Suporte de bit	●	
Brocas de coroa	∅ 25–68 mm	(∅ 1"–2 5/8")
Mandril de aperto rápido	●	
Brocas para madeira	∅ 5–20 mm	(∅ 3/16"–3/4")
Brocas para metal	∅ 5–13 mm	(∅ 3/16"–1/2")
Brocas escalonadas	∅ 5–22 mm	(∅ 3/16"–5/8")
Serras craneanas	∅ 25–68 mm	(∅ 1"–2 5/8")
Sistema de remoção de pó	●	

9.1 Sistema de remoção de pó DRS

9.1.1 Informação geral

Localização da informação na ferramenta

A designação e o número de série da ferramenta encontram-se na placa de características. Anote estas informações no seu Manual de Instruções e faça referência a estes elementos sempre que necessitar de qualquer peça/acessório para a ferramenta.

Tipo:

Número de Série:

9.1.2 Descrição

O sistema de remoção de pó TE DRS-M é um acessório para o martelo perfurador TE 6. Pode ser facilmente acoplado ao martelo. Este sistema não está indicado para trabalhos de cinzelamento ou perfuração em metal.

9.1.3 Características técnicas

Consumo de energia	Máx. 60 W	
Performance de sucção	500 l/min.	
Peso	0,9 kg	(2,03 lbs)
Curso máximo	105 mm	(4,1")
∅ da broca TE-C (l/cm)	∅ 4–16 mm	(∅ 3/16"–5/8")
Comprimento útil de trabalho	50–100 mm	(2–4")
Pressão de contacto	15–25 N	
Capacidade do depósito de pó		
∅ 6 / 28 mm profundidade	130 furos	
∅ 8 / 30 mm profundidade	75 furos	
∅ 12 / 50 mm profundidade	20 furos	
Ciclo de regeneração do depósito	Até 100 ciclos	
Cabeça de extracção	∅ 4–16 mm	(∅ 3/16"–5/8")
Ventoinha de extracção, filtro de pó, aferidor de profundidade, limitador de comprimento, conexão tipo encaixe		

9.1.4 Antes de utilizar

Acoplar o sistema de remoção de pó

A ventoinha de extracção incorporada no sistema de remoção de pó é accionada pelo motor do martelo perfurador através de uma ligação (tipo ficha). Os dentes do veio do rotor (1) accionam os dentes do veio (2) do sistema de remoção.

1. Desligue o cabo de alimentação.

2. Empurre o módulo do sistema de remoção ao longo da guia (3) do martelo perfurador até que este esteja perfeitamente encaixado.

Retirar o sistema de remoção de pó

1. Desligue o cabo de alimentação.

2. Pressione o trinco (4) e mantenha-o nesta posição.

3. Solte o módulo do sistema de remoção do martelo perfurador.

9.1.5 Operação

Ajuste do comprimento (definir o curso)

O curso é normalmente definido para uma broca TE-C de comprimento 150 mm, o que corresponde a um comprimento útil de trabalho de 100 mm. O curso deverá ser redefinido se utilizar brocas mais curtas.

1. Abra (A) o anel de aperto (5).
2. Com a broca encaixada no mandril, pressione o martelo contra a parede até que a broca esteja em contacto com a parede (C).
3. Feche (B) o anel de aperto (5).

Ajuste do aferidor de profundidade

1. Abra (D) o casquilho limitador (6).
2. Faça deslizar o limitador até à profundidade de perfuração desejada (F)
3. Feche (E) o limitador (6).

Quando há necessidade de fazer furos a uma determinada profundidade (por exemplo perfuração para ancoragem) a profundidade do furo deve ser verificada através de furos teste.

Substituir a cabeça de sucção

1. Puxe a fita (G) na traseira da cabeça de sucção (7).
2. Puxe a cabeça usada para cima, para fora da guia (H).
3. Pressione a nova cabeça de sucção contra a guia até que esteja encaixada.

Esvaziar o depósito do pó

1. Segure a ferramenta na horizontal e deixe funcionar o sistema de remoção de pó por alguns instantes. (Este procedimento permite que quaisquer partículas existentes no módulo sejam aspiradas para o depósito.)
2. Pressione o botão e mantenha o martelo nesta posição (K).
3. Puxe o depósito para baixo (8), para fora do módulo (L).
4. Esvazie o depósito.
5. Volte a colocar o depósito no módulo até que esteja encaixado. No caso de colocar um depósito novo, retire a película protectora antes de o encaixar.

9.1.6 Conservação e manutenção

Use apenas ar comprimido e um pano seco para limpar o sistema de remoção de pó. Não use água, óleo, massa ou qualquer outro agente de limpeza.

10. Garantia do fabricante sobre ferramentas

A Hilti garante que a ferramenta fornecida está isenta de quaisquer defeitos de material e de fabrico. Esta garantia é válida desde que a ferramenta seja utilizada e manuseada, limpa e revista de forma adequada e de acordo com o manual de instruções Hilti e desde que o sistema técnico seja mantido, isto é, sob reserva da utilização exclusiva na ferramenta de consumíveis, componentes e peças originais Hilti.

A garantia limita-se rigorosamente à reparação gratuita ou substituição das peças com defeito de fabrico durante todo o tempo de vida útil da ferramenta. A garantia não cobre peças sujeitas a um desgaste normal de uso.

Estão excluídas desta garantia quaisquer outras situações susceptíveis de reclamação, salvo legislação nacional aplicável em contrário. Em caso algum será a Hilti responsável por danos indirectos, directos, acidentais ou pelas consequências daí resultantes, perdas ou despesas em relação ou devidas à utilização ou incapacidade de utilização da ferramenta, seja qual for a finalidade. A Hilti exclui em particular as garantias implícitas respeitantes à utilização ou aptidão para uma finalidade particular.

Para toda a reparação ou substituição, enviar a ferramenta ou as peças para o seu centro de vendas Hilti, imediatamente após detecção do defeito.

Estas são todas e as únicas obrigações da Hilti no que se refere à garantia, as quais anulam todas as declarações, acordos orais ou escritos anteriores ou contemporâneos referentes à garantia.

pt

11. Reciclagem



As ferramentas Hilti são, em grande parte, fabricadas com materiais recicláveis. Um pré-requisito para a reciclagem é, que, esses materiais sejam devidamente separados. A Hilti já iniciou em vários países a recolha da sua ferramenta usada para fins de reaproveitamento.

pt

12. Avarias possíveis

Avaria	Causa possível	Solução
A ferramenta não arranca.	Não recebe corrente eléctrica.	Ligue uma outra ferramenta na mesma ficha para verificar se esta tem corrente.
	Cabo de alimentação ou ficha com defeito. Interruptor com defeito.	Peça a um técnico especialista para os analisar e substituir se necessário. Peça a um técnico especialista para os analisar e substituir se necessário.
Não tem percussão.	A ferramenta ainda "não aqueceu".	Deixe que a ferramenta aqueça (ver secção "Utilização").
	Selector de função ajustado para função perfuração.	Ajuste o selector para a função de percussão.
Fraca performance da ferramenta.	A secção do cabo de extensão não é adequada.	Use uma extensão com secção apropriada (ver secção "Utilização").
	O interruptor não foi totalmente pressionado.	Pressione o interruptor na totalidade.
	O selector de função está ajustado para percussão reduzida. O comutador de rotação está ajustado para a esquerda.	Ajuste o selector para perfuração com percussão. Ajuste o comutador de rotação para a direita.
A broca ficou presa no mandril.	O mandril não está completamente puxado para trás.	Puxar o casquilho de bloqueio o máximo possível para trás e retirar o acessório.

HILTI

Hilti Corporation

LI-9494 Schaan

Tel.: +423 / 234 21 11

Fax: +423 / 234 29 65

www.hilti.com



369018