

HILTI

SFL 14-A

SFL 22-A

SFL 36-A

English



1 Information about the documentation




1.1 About this documentation

- Read this documentation before initial operation or use. This is a prerequisite for safe, trouble-free handling and use of the product.
- Observe the safety instructions and warnings in this documentation and on the product.
- Always keep the operating instructions with the product and make sure that the operating instructions are with the product when it is given to other persons.

1.2 Explanation of signs used




1.2.1 Warnings

Warnings alert persons to hazards that occur when handling or using the product. The following signal words are used in combination with a symbol:

	DANGER! Draws attention to imminent danger that will lead to serious personal injury or fatality.
	WARNING! Draws attention to a potential hazard that could lead to serious personal injury or fatality.
	CAUTION! Draws attention to a potentially dangerous situation that could lead to minor personal injury or damage to the equipment or other property.

1.2.2 Symbols

The following symbols are used in the documentation:

	Read the operating instructions before use
	General warning
	Instructions for use and other useful information

1.2.3 Symbols on the product

The following symbols are used on the product:

	Do not look directly into the light source.
---	---

1.2.4 Drawings in the illustrations

The illustrations in these operating instructions are intended to promote a better understanding and may deviate from the actual version of the product.

2	These numbers refer to the corresponding illustrations found at the beginning of these operating instructions.
3	The numbering in the illustrations reflects the order of the steps shown in the illustration and may deviate from the numbering of the steps/operations described in the text.
11	Item reference numbers are used in the overview illustration and refer to the numbers used in the product overview section.

1.3 Product information

Hilti products are designed for professional use and may be operated, serviced and maintained only by trained, authorized personnel. This personnel must be informed of any particular hazards that may be encountered. The product and its ancillary equipment may present hazards when used incorrectly by untrained personnel or when used not as directed.

The type designation and serial number are printed on the type identification plate.

- ▶ Write down the serial number in the table below. You will be required to state the product details when contacting Hilti Service or your local Hilti organization to enquire about the product.

Product information

Cordless lamp	SFL 14-A SFL 22-A SFL 36-A
Generation	01
Serial no.	

We reserve the right to make changes. Errors excepted.

2 Safety

2.1 Safety instructions

NOTE In addition to the information relevant to safety given in each of the sections of these operating instructions, the following points must be strictly observed at all times.

2.1.1 Careful handling and use

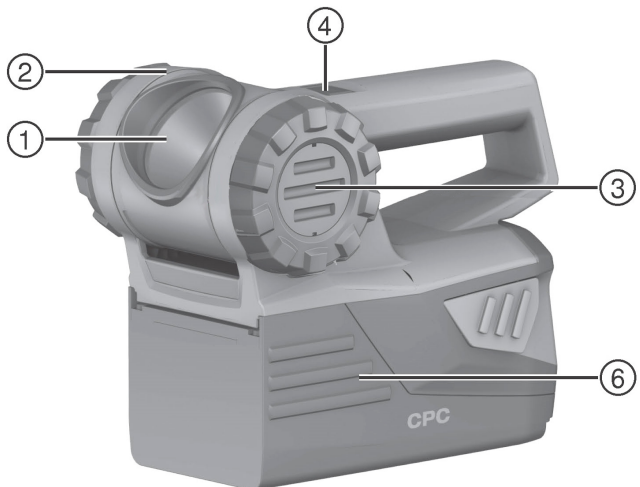
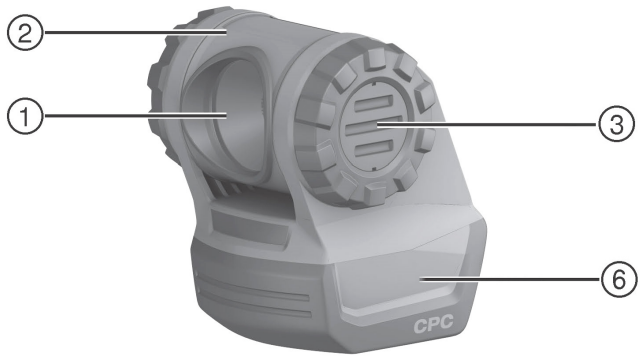
- ▶ Use the product only when it is in technically faultless condition.
- ▶ Never tamper with or modify the product in any way.
- ▶ Keep the product out of reach of children.
- ▶ Do not use the product where there is a risk of fire or explosion.
- ▶ Replace the complete cordless lamp when the light source has reached the end of its life. The light source in this cordless lamp is not replaceable.

2.1.2 Use and care of battery-powered appliances

- ▶ Observe the special guidelines applicable to the transport, storage and use of Li-ion batteries.
- ▶ Check that the appliance is switched off before inserting the battery.
- ▶ Do not expose batteries to high temperatures, direct sunlight or fire.
- ▶ Do not disassemble, squash or incinerate batteries and do not subject them to temperatures over 80°C (176°F).
- ▶ Do not attempt to charge or continue to use damaged batteries.
- ▶ If the battery is too hot to touch it may be defective. In this case, place the appliance in a non-flammable location, well away from flammable materials, where it can be kept under observation and allowed to cool down. Contact **Hilti** Service after the battery has cooled down.
- ▶ Use only the specified batteries in the product.

3 Description

3.1 Overview of the product



- ① Reflector
- ② Lamp body
- ③ Control knob

- ④ On/off switch
- ⑤ Strap attachment point
- ⑥ Battery

3.2 Intended use

The product described is a cordless lamp. It is designed to be used to illuminate areas of jobsites. Use the product in a dry environment only.

- ▶ Use this product only with **Hilti** Li-ion batteries of the B 14, B 22 and B 36 series.
- ▶ Use only **Hilti** battery chargers of the C4/36 series for charging these batteries.

3.3 Items supplied

Cordless lamp, operating instructions.

Other system products approved for use with this product can be found at your local **Hilti** Center or online at: www.hilti.com

3.4 State of charge display

The charge state of the Li-ion battery is displayed after pressing one of the two battery release buttons lightly (press only until slight resistance is felt).

Status	Meaning
4 LEDs light.	• Charge state: 75 % to 100 %
3 LEDs light.	• Charge state: 50 % to 75 %
2 LEDs light.	• Charge state: 25 % to 50 %
1 LED lights.	• Charge state: 10 % to 25 %
1 LED blinks.	• Charge state: < 10 %



Note

If the battery charge state LEDs blink, please refer to the information given in the Troubleshooting section.

4 Technical data

	SFL 14-A	SFL 22-A	SFL 36-A
Voltage	14.4 V	21.6 V	36.0 V

5 Operation

5.1 Inserting the battery



CAUTION

Electrical hazard. Dirty contacts may cause a short circuit.

- ▶ Before inserting the battery, check to ensure that the battery terminals and the contacts on the product are free from foreign objects.



CAUTION

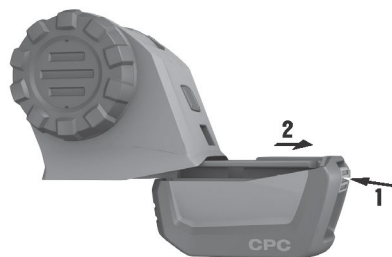
Risk of injury. If the battery is not fitted correctly it may drop out and fall.

- ▶ Check that the battery is securely seated in the product so that it cannot drop out and fall, thereby presenting a hazard to other persons.

- ▶ Fit the battery and check that the battery is securely seated in the appliance.

5.2 Removing the battery

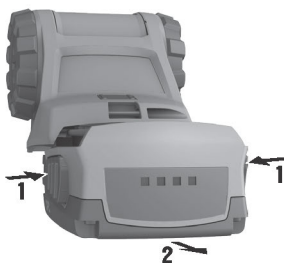
SFL 14-A



1. Press the release button at the rear of the battery.
2. Pull the battery out of the product to the rear.

5.3 Removing the battery

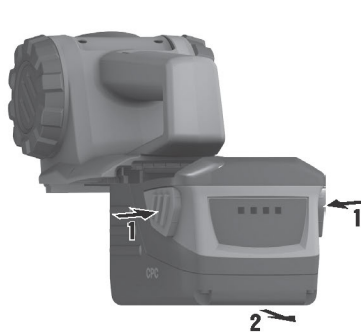
SFL 22-A



1. Press both release buttons.
2. Pull the battery out of the product to the rear.

5.4 Removing the battery

SFL 36-A



1. Press both release buttons.
2. Pull the battery out of the product to the rear.

5.5 Switching on and off

- ▶ Press the on/off switch.

5.6 Rotating the lamp head



CAUTION

Risk of damage to the eyes (the retina). Looking directly into the lamp presents a risk of damage to the eyes (the retina).

- ▶ Do not direct the lamp at yourself or at anyone else.
- ▶ Do not, under any circumstances, look into the lamp.

- ▶ Rotate the lamp head into a suitable position.



Note

The lamp head can be rotated in only one direction. Take care to avoid forcing the lamp head past the end stop.

5.7 Rotating the lamp head to the storage and transport position



- ▶ Rotate the lamp head by turning the knob, overcoming the slight resistance of the position in which it engages, until the reflector is pointing towards the battery.
 - ◀ The lamp switches off automatically and can then be stored or transported.



Note

The lamp cannot be switched on when in the storage position. To switch back on, rotate the lamp head until the reflector is facing upwards and then switch the lamp on.

6 Care

6.1 Care of the product



WARNING

Danger of electric shock! Improper repairs to electrical components may lead to serious injuries including burns.

- ▶ Repairs to the electrical section of the tool or appliance may be carried out only by trained electrical specialists.



Note

To help ensure safe and reliable operation, use only genuine Hilti spare parts and consumables. Spare parts, consumables and accessories approved by Hilti for use with the product can be found at your local **Hilti** Center or online at: www.hilti.com

- ▶ Keep the product, especially its grip surfaces, clean and free from oil and grease. Do not use cleaning agents containing silicone.
- ▶ Do not allow foreign objects to enter the interior of the product.
- ▶ Clean the outer surfaces of the appliance with a damp cloth at regular intervals.
- ▶ Do not use a spray system, pressure jet washer or running water for cleaning as this may negatively affect the electrical safety of the appliance.

6.2 Care of Li-ion batteries

- ▶ Do not allow moisture to enter the interior.
- ▶ Keep the battery clean and free from oil and grease.
- ▶ Clean the outer surfaces with a slightly damp cloth at regular intervals. Do not use cleaning agents containing silicone.
- ▶ To achieve maximum battery life, stop drawing power from the battery as soon as a significant drop in the performance of the appliance is noticed.
- ▶ Charge the batteries using the **Hilti** chargers approved for use with Li-ion batteries.

7 Troubleshooting

If the trouble you are experiencing is not listed in this table or you are unable to remedy the problem by yourself, please contact **Hilti** Service.

Trouble or fault	Possible cause	Action to be taken
The battery runs down more quickly than usual.	Battery condition is not optimal.	▶ Replace the battery or have it tested by Hilti Service.
The battery doesn't engage with an audible double click.	The retaining lugs on the battery are dirty.	▶ Clean the retaining lugs and push the battery in until it engages.
1 LED blinks. The appliance doesn't work.	Low battery.	▶ Change the battery and charge the empty battery.
	The battery is too hot or too cold.	▶ Allow the battery to cool down or warm up slowly to room temperature.

8 Disposal



WARNING

Risk of injury. Hazards presented by improper disposal.

- ▶ Improper disposal of the equipment may have the following consequences: The burning of plastic components generates toxic fumes which may present a health hazard. Batteries may explode if damaged or exposed to very high temperatures, causing poisoning, burns, acid burns or environmental pollution. Careless disposal may permit unauthorized and improper use of the equipment. This may result in serious personal injury, injury to third parties and pollution of the environment.
- ▶ Dispose of defective batteries right away. Keep them out of reach of children. Do not disassemble or incinerate the batteries.
- ▶ Batteries that have reached the end of their life must be disposed of in accordance with national regulations or returned to **Hilti**.



Most of the materials from which **Hilti** tools and appliances are manufactured can be recycled. The materials must be correctly separated before they can be recycled. In many countries, your old tools, machines or appliances can be returned to **Hilti** for recycling. Ask **Hilti** Service or your Hilti representative for further information.

In accordance with the European Directive on waste electrical and electronic equipment and its implementation in conformance with national law, electric tools or appliances that have reached the end of their life must be collected separately and returned to an environmentally compatible recycling facility.



- ▶ Disposal of electric tools or appliances together with household waste is not permissible.

9 Manufacturer's warranty

- ▶ Please contact your local **Hilti** representative if you have questions about the warranty conditions.

10 EC declaration of conformity

Manufacturer

Hilti Aktiengesellschaft
Feldkircherstrasse 100
9494 Schaan
Liechtenstein

We declare, on our sole responsibility, that this product complies with the following directives and standards.

Designation	Cordless lamp
Type designation	SFL 14-A
Generation	01
Year of design	2011
Type designation	SFL 22-A
Generation	01
Year of design	2011
Type designation	SFL 36-A
Generation	01
Year of design	2011

Applicable directives:	<ul style="list-style-type: none">• 2014/30/EU• 2014/35/EU• 2006/66/EC• 2011/65/EU
------------------------	---

Applicable standards:

- EN ISO 12100
- EN 60598-1

Technical documentation filed at:

- Hilti Entwicklungsgesellschaft mbH
Zulassung Geräte
Hiltistraße 6
86916 Kaufering
Germany

Schaan, 9/2015



Paolo Luccini
(Head of BA Quality & Process Management /
Business Area Electric Tools & Accessories)



Tassilo Deinzer
(Executive Vice President / Business Unit Power
Tools & Accessories)



Hilti Corporation

LI-9494 Schaan

Tel.: +423/234 21 11

Fax: +423/234 29 65

www.hilti.com

Hilti = registered trademark of Hilti Corp., Schaan



20161024