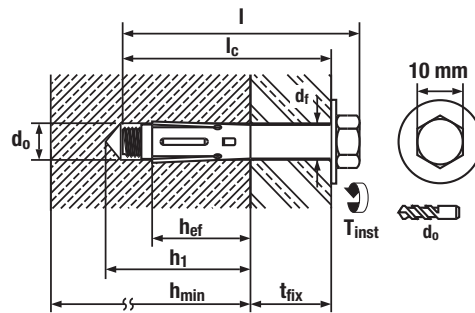
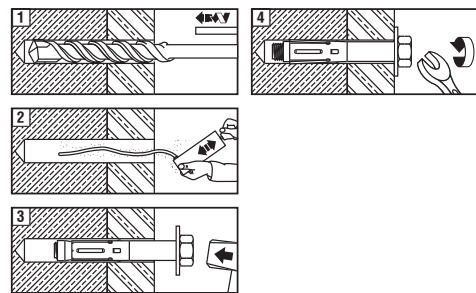


Anchor Size		Setting details			
		8x40/10	8x55/25	8x70/40	
d	Thread diameter	M6			
d _o	Drill bit diameter	mm	8		
h ₁	min. Borehole depth	mm	40		
h _{ef}	Min. Effective Anchorage depth	mm	26		
l	Total Anchor length	mm	46	61	76
l _c	Anchor length under washer	mm	40	55	70
t _{fix}	Max Fixing length	mm	10	25	40
T _{inst}	Tightening torque concrete	Nm	8		
T _{inst}	Tightening torque masonry	Nm	4		
d _f	Clearance hole	mm	10		
h _{min}	Minimum base material thickness	mm	70		



386352